

**BALDOR • RELIANCE**

---

# Customer information packet

## M3541

.75HP, 3450RPM, 3PH, 60HZ, 56, 3413M, TEFC, F1

Class - None

Division - Not Applicable

## Specifications

Enclosure	TEFC
Frame	56
Frame Material	Steel
Frequency	60.00 Hz
Haz Area Class and Group	None
Haz Area Division	Not Applicable
Motor Letter Type	Three Phase
Output @ Frequency	.750 HP @ 60 HZ
Phase	3
Synchronous Speed @ Frequency	3600 RPM @ 60 HZ
Voltage @ Frequency	230.0 V @ 60 HZ 460.0 V @ 60 HZ
Agency Approvals	CSA UR
Ambient Temperature	40 °C
Auxillary Box	No Auxillary Box
Auxillary Box Lead Termination	None
Base Indicator	Rigid
Bearing Grease Type	Polyrex EM (-20F +300F)
Blower	None
Current @ Voltage	3.100 A @ 208.0 V 2.600 A @ 230.0 V 1.300 A @ 460.0 V
Design Code	B
Drip Cover	No Drip Cover
Duty Rating	CONT
Efficiency @ 100% Load	74.0 %
Electrically Isolated Bearing	Not Electrically Isolated
Feedback Device	NO FEEDBACK
Front Face Code	Standard
Front Shaft Indicator	None
Heater Indicator	No Heater

## Part detail

Revision	Z
Type	AC
Mech. spec.	34A061
Base	
Status	PRD/A
Elec. spec.	34WG0255
Layout	34LYA061
Eff. date	12-30-2024
CD Diagram	CD0005
Poles	02
Leads	9#18
Proprietary	False
Created date	01-01-0001

High Voltage Full Load Amps	1.3 a
Insulation Class	B
Inverter Code	Not Inverter
KVA Code	K
Lifting Lugs	No Lifting Lugs
Locked Bearing Indicator	No Locked Bearing
Motor Lead Exit	Ko Box
Motor Lead Quantity/Wire Size	9 @ 18 AWG
Motor Lead Termination	Flying Leads
Motor Standards	NEMA
Motor Type	3413M
Mounting Arrangement	F1
Number of Poles	2
Overall Length	11.35 IN
Power Factor	73
Product Family	General Purpose
Pulley End Bearing Type	Ball
Pulley Face Code	Standard
Pulley Shaft Indicator	Standard
Rodent Screen	None
Service Factor	1.25
Shaft Diameter	0.625 IN
Shaft Extension Location	Pulley End
Shaft Ground Indicator	No Shaft Grounding
Shaft Rotation	Reversible
Shaft Slinger Indicator	No Slinger
Speed	3450 rpm
Speed Code	Single Speed
Starting Method	Direct on line
Thermal Device - Bearing	None
Thermal Device - Winding	None
Vibration Sensor Indicator	No Vibration Sensor
Winding Thermal 1	None
Winding Thermal 2	None

**Nameplate**

<b>NP1256L</b>									
<b>CAT.NO.</b>	M3541								
<b>SPEC.</b>	34A61-255								
<b>HP</b>	.75								
<b>VOLTS</b>	230/460								
<b>AMP</b>	2.6/1.3								
<b>RPM</b>	3450								
<b>FRAME</b>	56		<b>HZ</b>	60		<b>PH</b>	3		
<b>SER.F.</b>	1.25	<b>CODE</b>	K	<b>DES</b>	B	<b>CLASS</b>	B		
<b>NEMA-NOM-EFF</b>	74	<b>PF</b>	73						
<b>RATING</b>	40C AMB-CONT								
<b>CC</b>									
<b>DE</b>	6203		<b>ODE</b>	6203					
<b>ENCL</b>	TEFC	<b>SN</b>							
	SFA 3/1.5								

**Accessories**

<b>Part number</b>	<b>Description</b>	<b>Multiplier</b>
34-171	C FACE KIT	A8

**AC Induction Motor Performance Data**

Record # 6564

Typical performance - not guaranteed values

Winding: 34WG0255-R001		Type: 3413M	Enclosure: TEFC		
<b>Nameplate Data</b>			<b>460 V, 60 Hz: High Voltage Connection</b>		
Rated Output (HP)	.75	Full Load Torque	1.2 LB-FT		
Volts	230/460	Start Configuration	direct on line		
Full Load Amps	2.6/1.3	Breakdown Torque	4.8 LB-FT		
R.P.M.	3450	Pull-up Torque	3.5 LB-FT		
Hz	60 Phase	3	Locked-rotor Torque	3.9 LB-FT	
NEMA Design Code	B	KVA Code	K	Starting Current	7.6 A
Service Factor (S.F.)	1.25	No-load Current	0.85 A		
NEMA Nom. Eff.	74	Power Factor	73	Line-line Res. @ 25°C	24.6 Ω
Rating - Duty	40C	AMB-CONT	Temp. Rise @ Rated Load		64°C
S.F. Amps	3/1.5	Temp. Rise @ S.F. Load	84°C		

**Load Characteristics 460 V, 60 Hz, 0.75 HP**

% of Rated Load	25	50	75	100	125	150	S.F.
Power Factor	39	58	67	78	82	84	82
Efficiency	57.7	70.6	73.6	75.1	74.7	74	74.7
Speed	3553	3518	3481	3440	3395	3344	3395
Line amperes	0.95	1.02	1.12	1.33	1.5	1.62	1.5

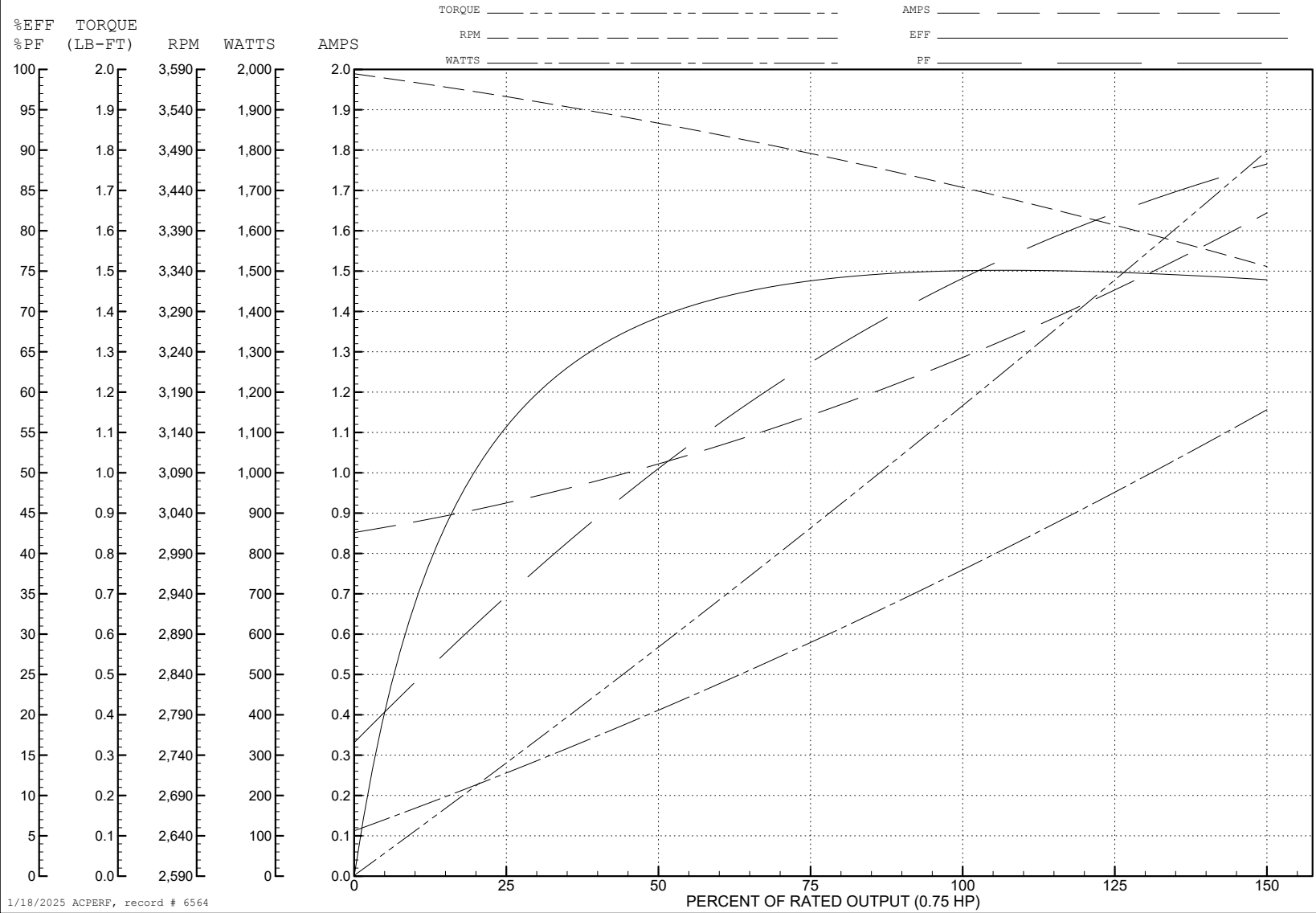
ABB Motors and Mechanical Inc.

WINDING # 34WG0255

Typical performance - not guaranteed values.

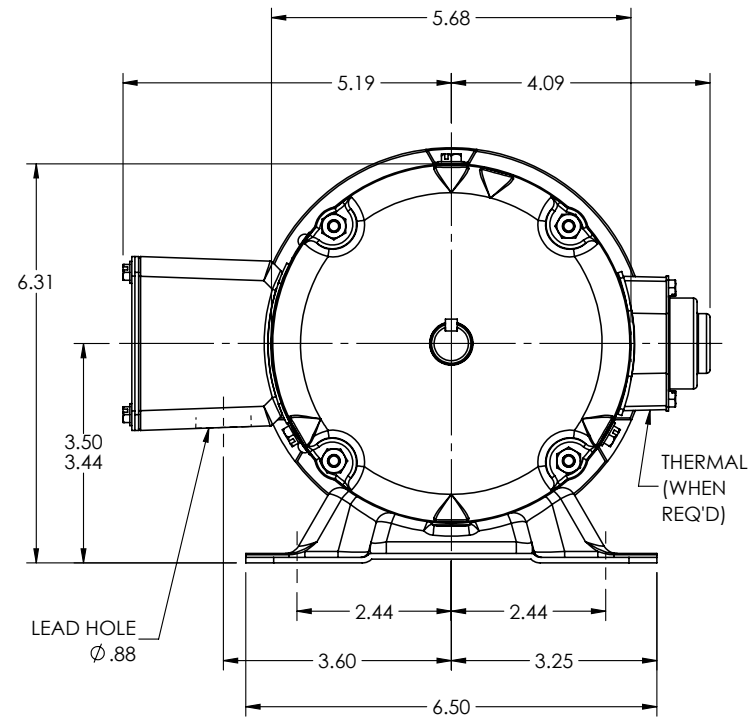
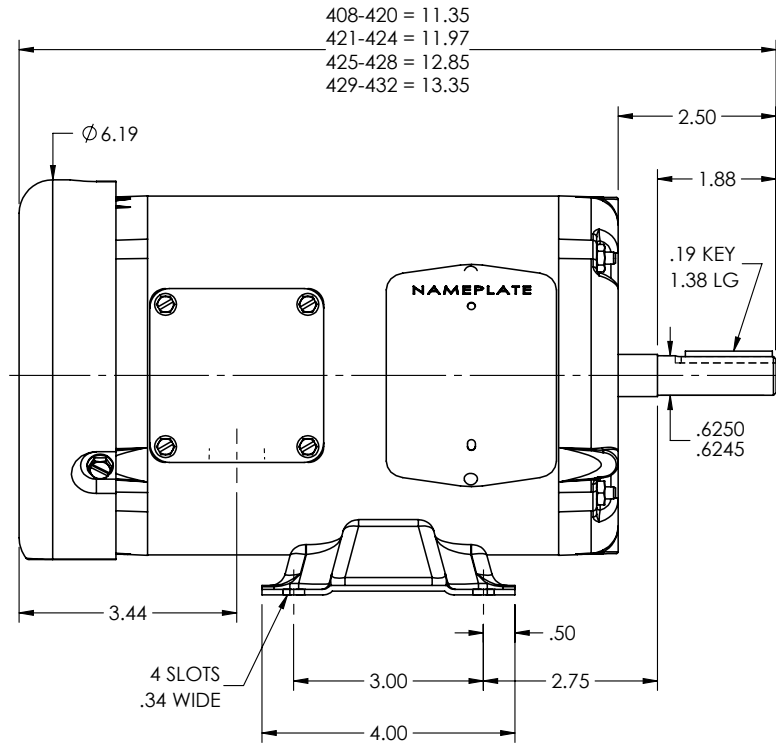
0.75 HP 3 PH 60 HZ 3450 RPM 460 V 3413M

TORQUES (LB-FT): PO=4.8 PU=3.5 LR=3.9 LRA=7.6



1/18/2025 ACPERF, record # 6564

34LYA061



CUSTOMER IS RESPONSIBLE FOR DETERMINING THAT THE PRODUCT WILL PERFORM SUITABLY IN THE INTENDED APPLICATION

REV. DESC: CLEAN UP DIMENSIONING

REV: N	VERSION: 06	REVISED: 02:32:44 11/26/2024	TDR: 000001245356
--------	-------------	------------------------------	-------------------

34LYA061

MODEL NO. 34LYA061  
 BY: ENJEFD0

REF: -

**BALDOR - RELIANCE®**

STD HORZ 34M NEMA 56 TEFC

34LYA061



CD0005



LOW VOLTAGE  
(2Y)



LINE

HIGH VOLTAGE  
(1Y)



LINE

NOTES:

1. INTERCHANGE ANY TWO LINE LEADS TO REVERSE ROTATION.
2. OPTIONAL THERMOSTATS ARE PROVIDED WHEN SPECIFIED.
3. ACTUAL NUMBER OF INTERNAL PARALLEL CIRCUITS MAY BE A MULTIPLE OF THOSE SHOWN ABOVE.
4. LEAD COLORS ARE OPTIONAL. LEADS MUST ALWAYS BE NUMBERED AS SHOWN.

CD0005

REV. DESC: REVISE TO SHOW OPTIONAL COLORS			
REV. LTR: E	BY: JLP	REVISED: 01/19/99 10:15	TDR: 0171435
S00000		FILE: AAA00005140	MDL: -
		MTL: -	

**BALDOR ELECTRIC Co.**

3PH, DV, 9 LEADS