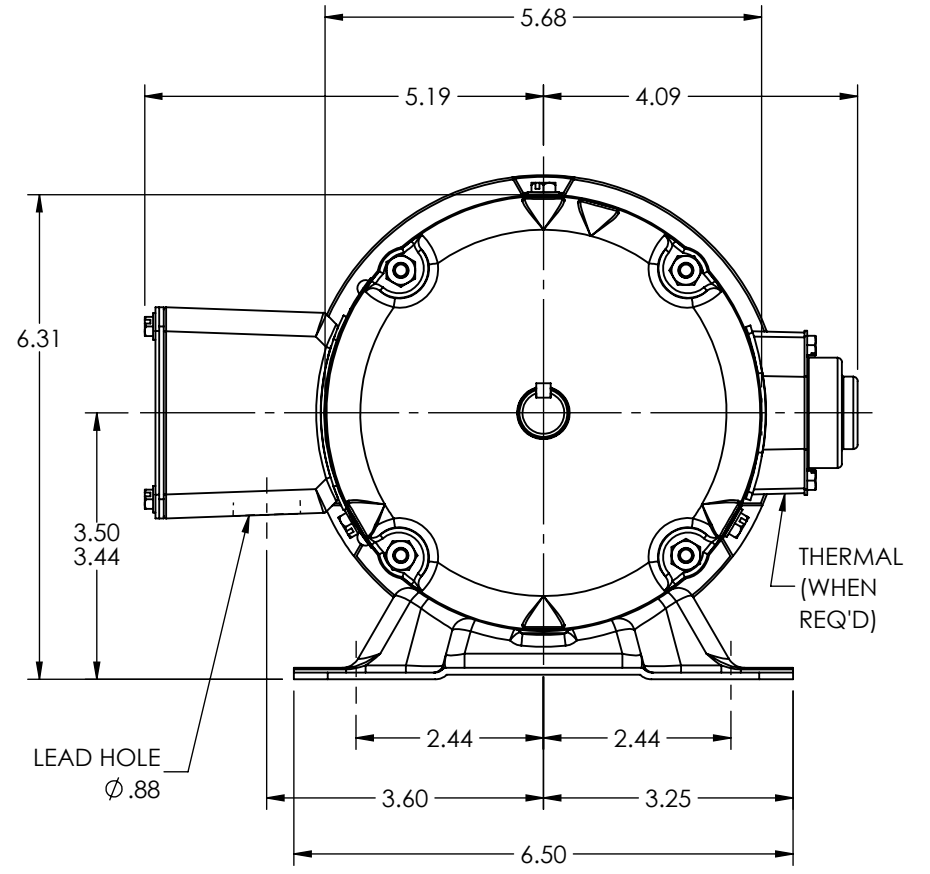
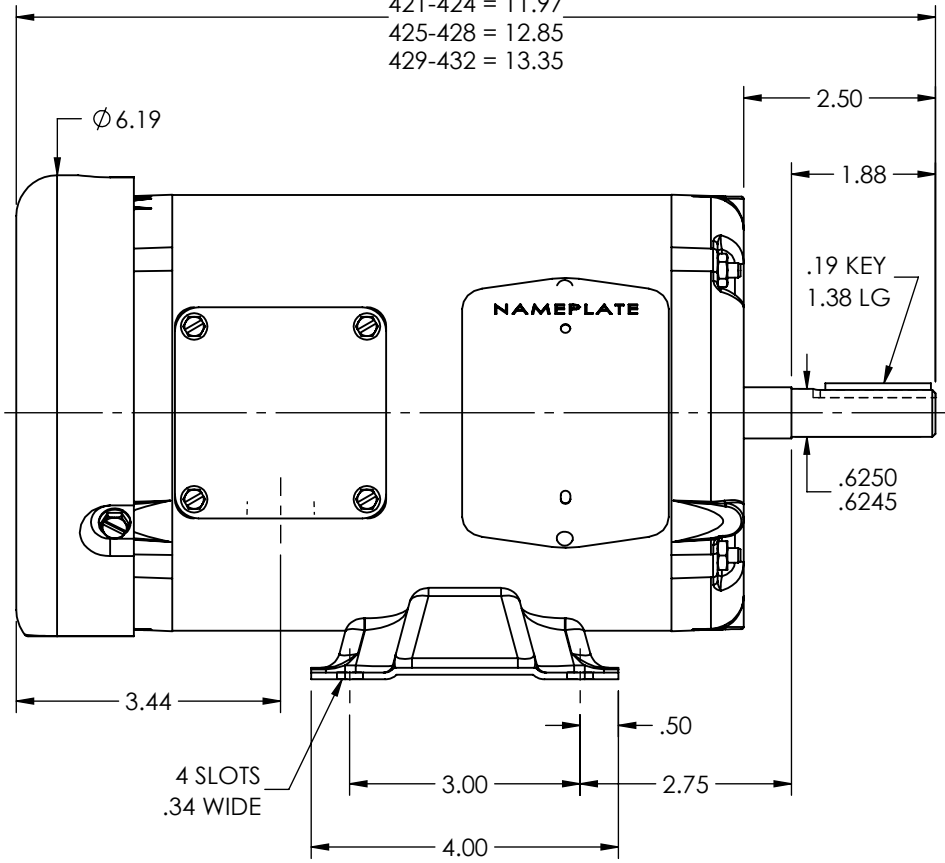


408-420 = 11.35
 421-424 = 11.97
 425-428 = 12.85
 429-432 = 13.35



CUSTOMER IS RESPONSIBLE FOR DETERMINING THAT THE PRODUCT WILL PERFORM SUITABLY IN THE INTENDED APPLICATION

REV. DESC: CLEAN UP DIMENSIONING			
REV: N	VERSION: 06	REVISED: 02:32:44 11/26/2024	TDR: 000001245356
MODEL NO. 34LYA061		REF: -	
BY: ENJFD0			

BALDOR - RELIANCE®

STD HORZ 34M NEMA 56 TEFC