



Customer information packet

M3538-5

.5HP, 1725RPM, 3PH, 60HZ, 56, 3416M, TEFC, F1

Class - None

Division - Not Applicable

Specifications

Enclosure	TEFC
Frame	56
Frame Material	Steel
Frequency	60.00 Hz
Haz Area Class and Group	None
Haz Area Division	Not Applicable
Motor Letter Type	Three Phase
Output @ Frequency	.500 HP @ 60 HZ
Phase	3
Synchronous Speed @ Frequency	1800 RPM @ 60 HZ
Voltage @ Frequency	575.0 V @ 60 HZ
Agency Approvals	UR CSA
Ambient Temperature	40 °C
Auxillary Box	No Auxillary Box
Auxillary Box Lead Termination	None
Base Indicator	Rigid
Bearing Grease Type	Polyrex EM (-20F +300F)
Blower	None
Current @ Voltage	.800 A @ 575.0 V
Design Code	B
Drip Cover	No Drip Cover
Duty Rating	CONT
Efficiency @ 100% Load	74.0 %
Electrically Isolated Bearing	Not Electrically Isolated
Feedback Device	NO FEEDBACK
Front Face Code	Standard
Front Shaft Indicator	None
Heater Indicator	No Heater
High Voltage Full Load Amps	0.8 a
Insulation Class	B
Inverter Code	Not Inverter

Part detail

Revision	X
Type	AC
Mech. spec.	34A061
Base	
Status	PRD/A
Elec. spec.	34WG0873
Layout	34LYA061
Eff. date	02-08-2024
CD Diagram	CD0006
Poles	04
Leads	3#18
Proprietary	False
Created date	01-01-0001

KVA Code	L
Lifting Lugs	No Lifting Lugs
Locked Bearing Indicator	No Locked Bearing
Motor Lead Exit	Ko Box
Motor Lead Quantity/Wire Size	3 @ 18 AWG
Motor Lead Termination	Flying Leads
Motor Standards	NEMA
Motor Type	3416M
Mounting Arrangement	F1
Number of Poles	4
Overall Length	11.35 IN
Power Factor	63
Product Family	General Purpose
Pulley End Bearing Type	Ball
Pulley Face Code	Standard
Pulley Shaft Indicator	Standard
Rodent Screen	None
Service Factor	1.25
Shaft Diameter	0.625 IN
Shaft Extension Location	Pulley End
Shaft Ground Indicator	No Shaft Grounding
Shaft Rotation	Reversible
Shaft Slinger Indicator	No Slinger
Speed	1725 rpm
Speed Code	Single Speed
Starting Method	Direct on line
Thermal Device - Bearing	None
Thermal Device - Winding	None
Vibration Sensor Indicator	No Vibration Sensor
Winding Thermal 1	None
Winding Thermal 2	None

Nameplate

NP1256L									
CAT.NO.	M3538-5								
SPEC.	34A61-873								
HP	.5								
VOLTS	575								
AMP	.8								
RPM	1725								
FRAME	56		HZ	60		PH	3		
SER.F.	1.25	CODE	L	DES	B	CLASS	B		
NEMA-NOM-EFF	74	PF	63						
RATING	40C AMB-CONT								
CC									
DE	6203		ODE	6203					
ENCL	TEFC	SN							
	SFA .9								

Accessories

Part number	Description	Multiplier
34-171	C FACE KIT	A8

AC Induction Motor Performance Data

Record # 6604

Typical performance - not guaranteed values

Winding: 34WG0873-R001		Type: 3416M		Enclosure: TEFC	
Nameplate Data			575 V, 60 Hz: Single Voltage Motor		
Rated Output (HP)	.5	Full Load Torque	1.5 LB-FT		
Volts	575	Start Configuration	direct on line		
Full Load Amps	.8	Breakdown Torque	7 LB-FT		
R.P.M.	1725	Pull-up Torque	4.5 LB-FT		
Hz	60 Phase	3	Locked-rotor Torque	5.3 LB-FT	
NEMA Design Code	B KVA Code	L	Starting Current	5.2 A	
Service Factor (S.F.)	1.25	No-load Current	0.64 A		
NEMA Nom. Eff.	74 Power Factor	63	Line-line Res. @ 25°C	53 Ω	
Rating - Duty	40C AMB-CONT	Temp. Rise @ Rated Load	65°C		
S.F. Amps	.9	Temp. Rise @ S.F. Load	78°C		

Load Characteristics 575 V, 60 Hz, 0.5 HP

% of Rated Load	25	50	75	100	125	150	S.F.
Power Factor	30	43	55	63	69	75	69
Efficiency	53.2	66.4	72.5	74.6	75.3	75.1	75.3
Speed	1782	1769	1754	1739	1724	1706	1724
Line amperes	0.64	0.68	0.74	0.82	0.92	1	0.92

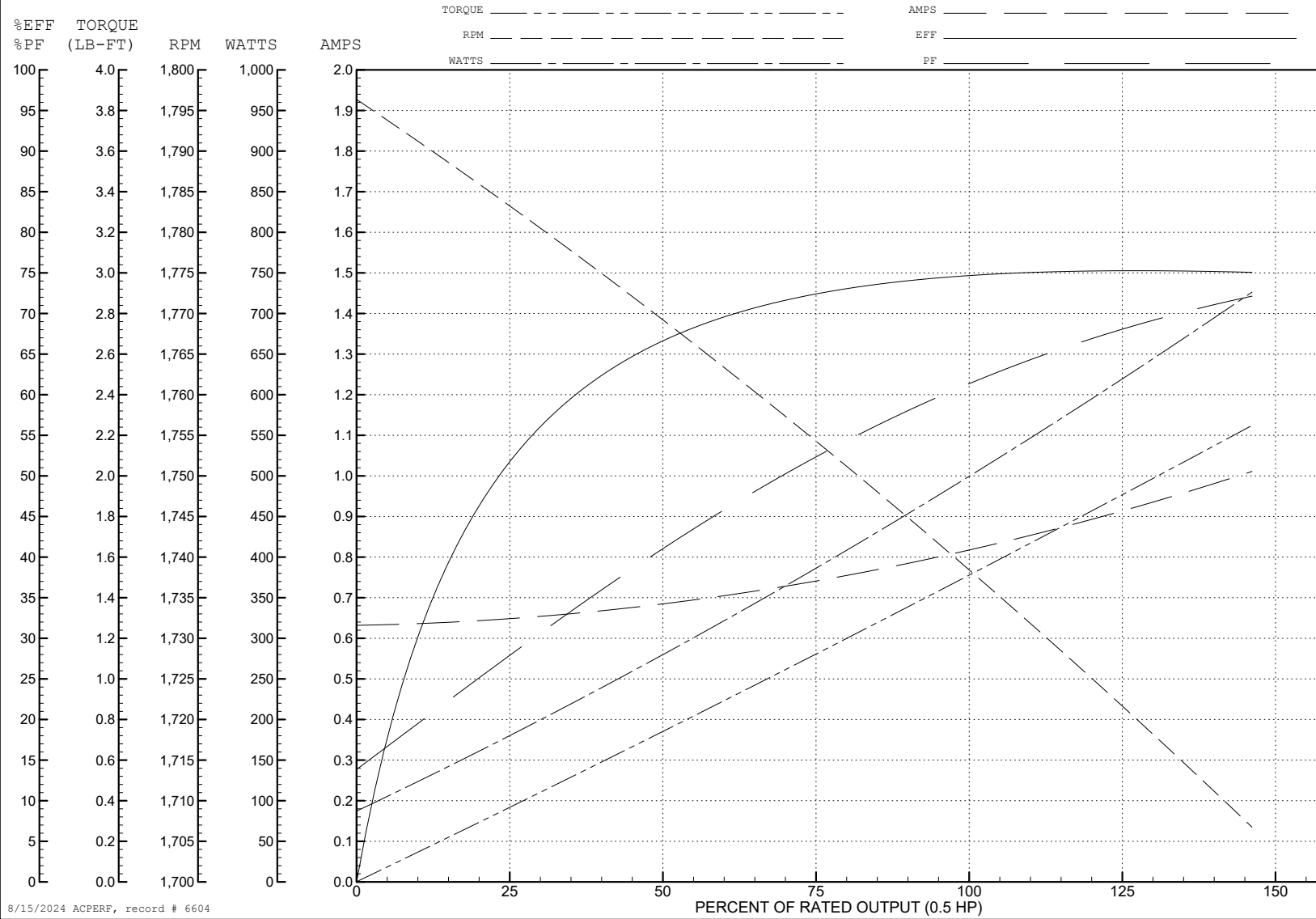
ABB Motors and Mechanical Inc.

WINDING # 34WG0873

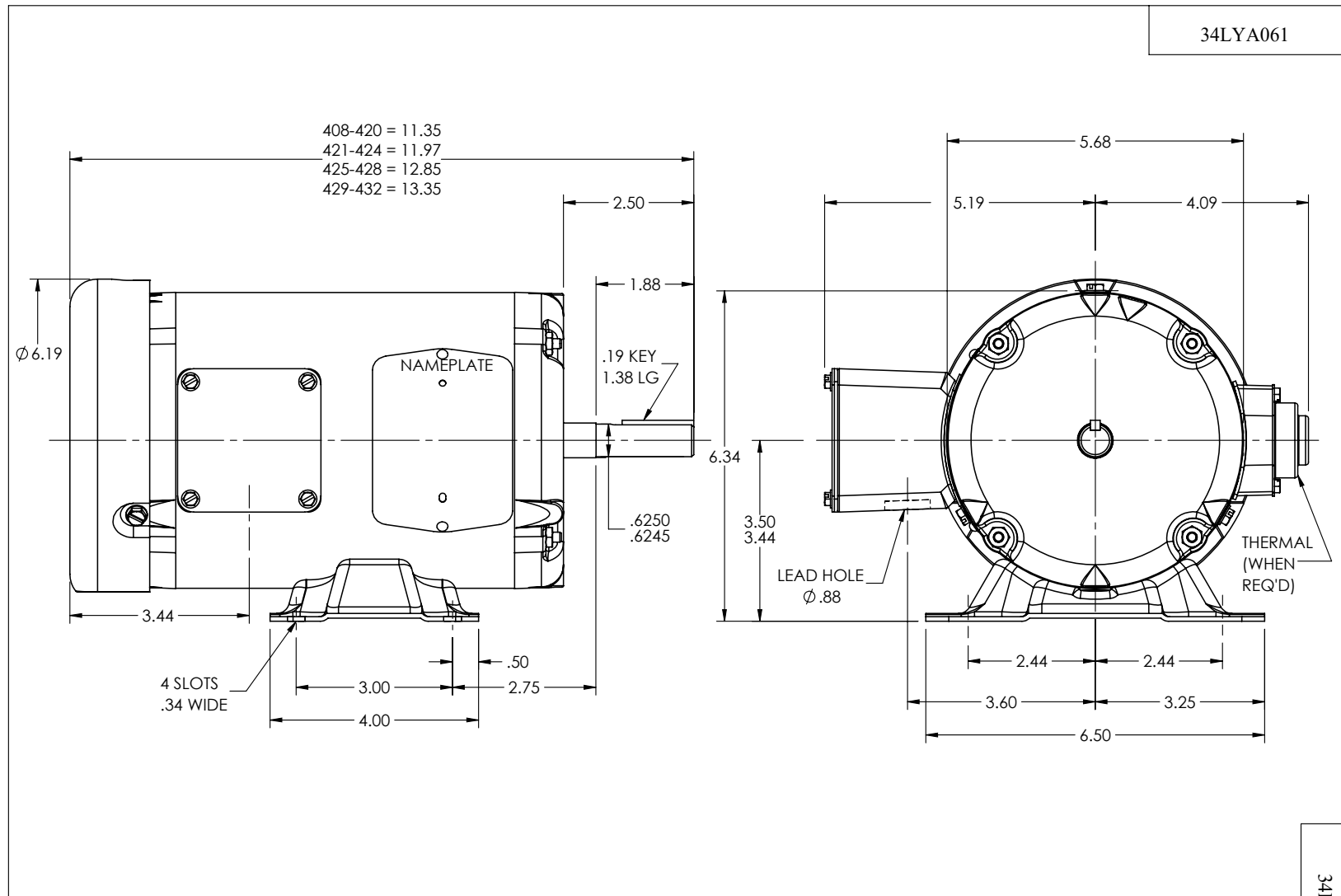
0.5 HP 3 PH 60 HZ 1725 RPM 575 V 3416M

Typical performance - not guaranteed values.

TORQUES (LB-FT) : PO=7 PU=4.5 LR=5.3 LRA=5.2



8/15/2024 ACPERF, record # 6604



34LYA061

34LYA061

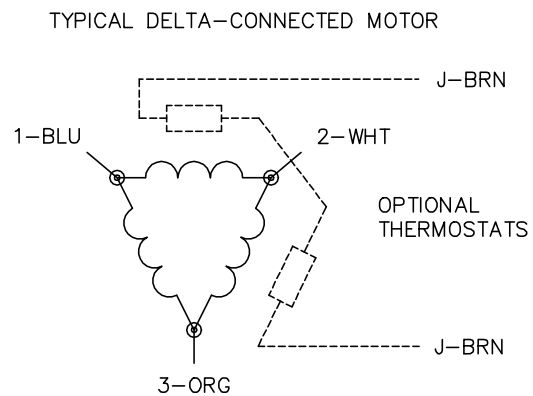
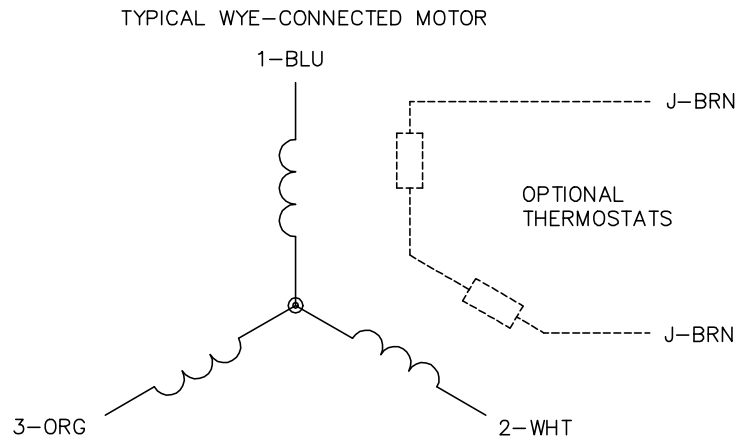
CUSTOMER IS RESPONSIBLE FOR DETERMINING THAT THE PRODUCT WILL PERFORM SUITABLY IN THE INTENDED APPLICATION

REV. DESC: LOAD TO SOLIDWORKS			
REV: M	VERSION: 05	REVISED: 11:24:40 09/21/2022	TDR: 000001194274
34LYA061	MODEL NO. 34LYA061	REF: -	
	BY: ENFRAJ0		

BALDOR - RELIANCE®

STD HORZ 34M NEMA 56 TEFC

CD0006



NOTES:

1. THREE LEAD MOTOR MAY BE EITHER WYE CONNECTED OR DELTA CONNECTED.
2. INTERCHANGE ANY TWO LINE LEADS TO REVERSE ROTATION.
3. OPTIONAL THERMOSTATS ARE PROVIDED WHEN SPECIFIED.
4. ACTUAL NUMBER OF INTERNAL PARALLEL CIRCUITS MAY VARY.
5. LEAD COLORS ARE OPTIONAL. LEADS MUST BE NUMBERED AS SHOWN.

CD0006

REV. DESC: ADD CLASS CONN00000007		
REV. LTR: E	VERSION: 01	TDR: 000001099922
FILE: \AAA\00005\141	REVISED: 10:24:49 02/19/2019	BY: ENBRIRO
MTL: -	© □	

BALDOR - RELIANCE®

3PH, SV, 3 LEADS, WYE OR DELTA CONNECTED

SH 1 of 1