

# ABB BALDOR RELIANCE III

---

## Customer information packet

M3458

.33HP, 1730RPM, 3PH, 60HZ, 48, 3413M, TEFC, F1

Class - None

Division - Not Applicable

**Specifications**

<b>Enclosure</b>	TEFC
<b>Frame</b>	48
<b>Frame Material</b>	Steel
<b>Frequency</b>	60.00 Hz
<b>Haz Area Class and Group</b>	None
<b>Haz Area Division</b>	Not Applicable
<b>Motor Letter Type</b>	Three Phase
<b>Output @ Frequency</b>	.330 HP @ 60 HZ
<b>Phase</b>	3
<b>Synchronous Speed @ Frequency</b>	1800 RPM @ 60 HZ
<b>Voltage @ Frequency</b>	230.0 V @ 60 HZ 460.0 V @ 60 HZ
<b>Agency Approvals</b>	C UR US
<b>Ambient Temperature</b>	40 °C
<b>Auxiliary Box</b>	NO AUXILLARY BOX
<b>Auxiliary Box Lead Termination</b>	None
<b>Base Indicator</b>	Rigid
<b>Bearing Grease Type</b>	Polyrex EM (-20F +300F)
<b>Blower</b>	None
<b>Current @ Voltage</b>	.700 A @ 460.0 V 1.300 A @ 208.0 V 1.400 A @ 230.0 V
<b>Design Code</b>	B
<b>Drip Cover</b>	No Drip Cover
<b>Duty Rating</b>	CONT
<b>Efficiency @ 100% Load</b>	68.0 %
<b>Electrically Isolated Bearing</b>	Not Electrically Isolated
<b>Feedback Device</b>	NO FEEDBACK
<b>Front Shaft Indicator</b>	None
<b>Heater Indicator</b>	No Heater
<b>High Voltage Full Load Amps</b>	0.7 a
<b>Insulation Class</b>	B

**Part Detail**

<b>Revision</b>	D
<b>Type</b>	AC
<b>Mech. spec.</b>	34A051
<b>Base</b>	
<b>Status</b>	PRD/A
<b>Elec. spec.</b>	34WGR709
<b>Layout</b>	34LYA051
<b>Eff. date</b>	12-30-2024
<b>CD Diagram</b>	CD0005
<b>Poles</b>	04
<b>Leads</b>	9#18
<b>Proprietary</b>	False
<b>Created date</b>	02-05-2021

<b>Inverter Code</b>	Not Inverter
<b>KVA Code</b>	L
<b>Lifting Lugs</b>	No Lifting Lugs
<b>Locked Bearing Indicator</b>	No Locked Bearing
<b>Motor Lead Quantity/Wire Size</b>	9 @ 18 AWG
<b>Motor Lead Termination</b>	Flying Leads
<b>Motor Standards</b>	NEMA
<b>Motor Type</b>	3413M
<b>Mounting Arrangement</b>	F1
<b>Number of Poles</b>	4
<b>Overall Length</b>	10.72 IN
<b>Power Factor</b>	66
<b>Product Family</b>	General Purpose
<b>Pulley End Bearing Type</b>	Ball
<b>Pulley Face Code</b>	Standard
<b>Pulley Shaft Indicator</b>	Standard
<b>Rodent Screen</b>	None
<b>RoHS Status</b>	ROHS COMPLIANT
<b>Service Factor</b>	1.35
<b>Shaft Diameter</b>	0.500 IN
<b>Shaft Ground Indicator</b>	No Shaft Grounding
<b>Shaft Rotation</b>	Reversible
<b>Shaft Slinger Indicator</b>	No Slinger
<b>Speed</b>	1730 rpm
<b>Speed Code</b>	Single Speed
<b>Starting Method</b>	Direct on line
<b>Thermal Device - Bearing</b>	None
<b>Thermal Device - Winding</b>	None
<b>Vibration Sensor Indicator</b>	No Vibration Sensor
<b>Winding Thermal 1</b>	None
<b>Winding Thermal 2</b>	None

**Nameplate**

<b>NP1256L</b>										
<b>CAT.NO.</b>	M3458									
<b>SPEC.</b>	34A051R709									
<b>HP</b>	.33									
<b>VOLTS</b>	230/460									
<b>AMP</b>	1.4/.7									
<b>RPM</b>	1730									
<b>FRAME</b>	48		<b>HZ</b>	60		<b>PH</b>	3			
<b>SER.F.</b>	1.35	<b>CODE</b>	L	<b>DES</b>	B	<b>CLASS</b>	B			
<b>NEMA-NOM-EFF</b>	68	<b>PF</b>	66							
<b>RATING</b>	40C AMB-CONT									
<b>CC</b>										
<b>DE</b>	6203	<b>ODE</b>	6203							
<b>ENCL</b>	TEFC	<b>SN</b>								
	SFA 1.6/.8									

**Accessories**

<b>Part number</b>	<b>Description</b>	<b>Multiplier</b>
34-3900T	C-FACE KIT	A8

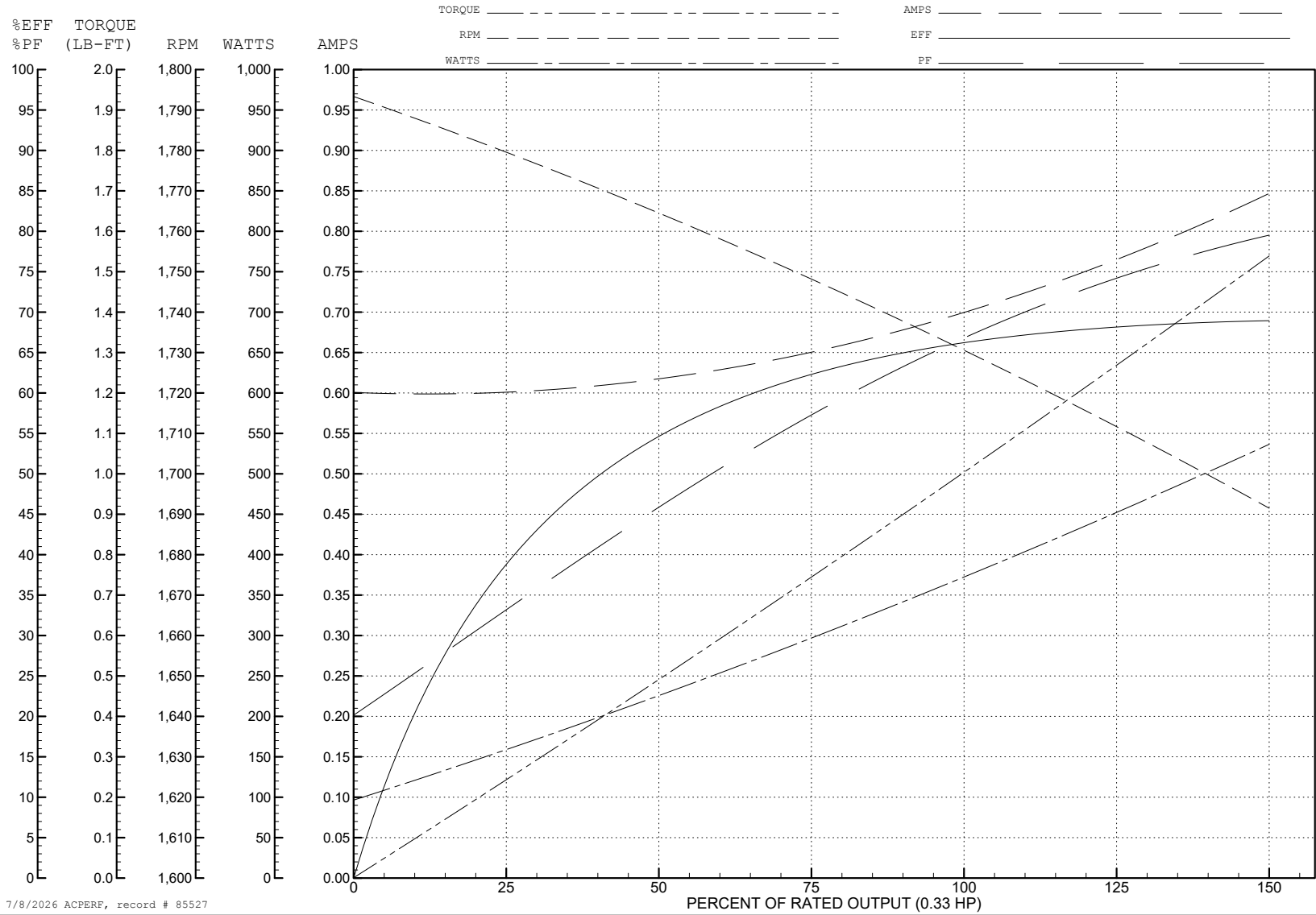
ABB Motors and Mechanical Inc.

WINDING # 34WGR709

0.33 HP 3 PH 60 HZ 1725 RPM 460 V 3413M

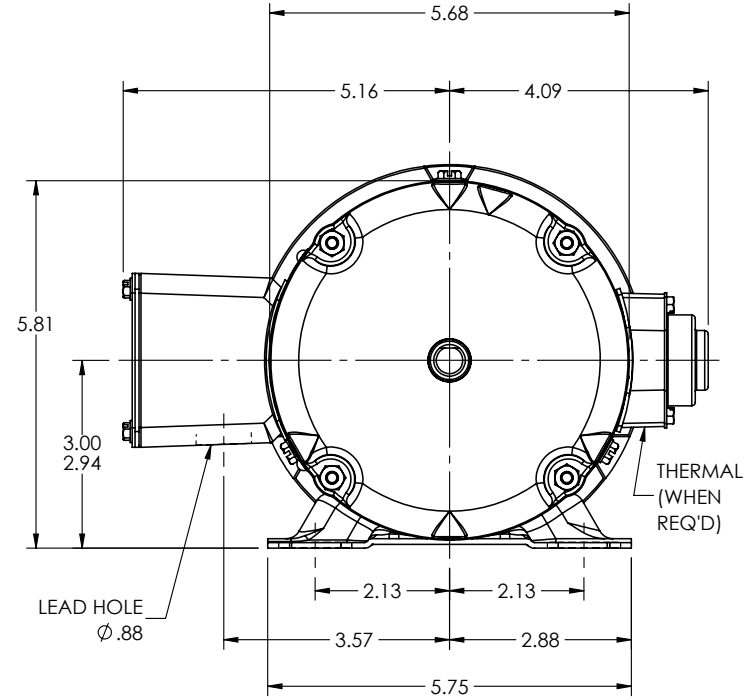
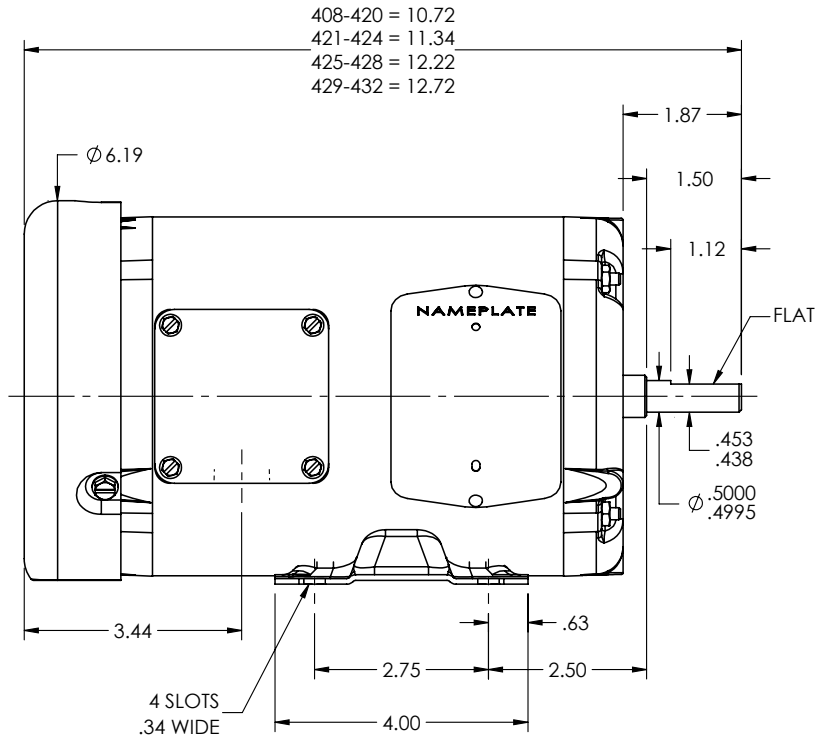
Typical performance - not guaranteed values.

TORQUES (LB-FT): PO=3.5 PU=2.13 LR=2.72 LRA=3.93



7/8/2026 ACPERF, record # 85527

34LYA051



CUSTOMER IS RESPONSIBLE FOR DETERMINING THAT THE PRODUCT WILL PERFORM SUITABLY IN THE INTENDED APPLICATION

REV. DESC: UPDATE DIMENSION GRAPHICS

REV: P    VERSION: 07    REVISED: 03:05:58 11/26/2024    TDR: 000001245356

34LYA051

MODEL NO. 34LYA051  
BY: ENJEFD0

REF: -

**BALDOR - RELIANCE®**

STD HORZ 34M NEMA 48 TEFC

34LYA051

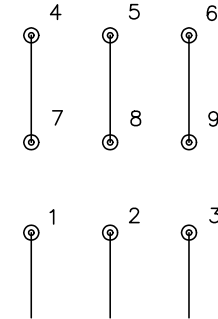
CD0005



LOW VOLTAGE  
(2Y)



HIGH VOLTAGE  
(1Y)



NOTES:

1. INTERCHANGE ANY TWO LINE LEADS TO REVERSE ROTATION.
2. OPTIONAL THERMOSTATS ARE PROVIDED WHEN SPECIFIED.
3. ACTUAL NUMBER OF INTERNAL PARALLEL CIRCUITS MAY BE A MULTIPLE OF THOSE SHOWN ABOVE.
4. LEAD COLORS ARE OPTIONAL. LEADS MUST ALWAYS BE NUMBERED AS SHOWN.

CD0005

REV. DESC: REVISE TO SHOW OPTIONAL COLORS			
REV. LTR: E	BY: JLP	REVISED: 01/19/99 10:15	TDR: 0171435
S00000		FILE: AAA00005140	MDL: -
		MTL: -	

**BALDOR ELECTRIC Co.**

3PH, DV, 9 LEADS