

ABB BALDOR RELIANCE III

Customer information packet

M3353

.13HP, 1725RPM, 3PH, 60HZ, 42, 3313M, TEFC, F1

Specifications

Enclosure	TEFC
Frame	42
Frame Material	Steel
Frequency	60.00 Hz
Motor Letter Type	Three Phase
Output @ Frequency	.130 HP @ 60 HZ
Phase	3
Synchronous Speed @ Frequency	1800 RPM @ 60 HZ
Voltage @ Frequency	460.0 V @ 60 HZ 230.0 V @ 60 HZ
Agency Approvals	C UR US
Ambient Temperature	40 °C
Auxiliary Box	NO AUXILLARY BOX
Auxiliary Box Lead Termination	None
Base Indicator	Rigid
Bearing Grease Type	Polyrex EM (-20F +300F)
Blower	None
Current @ Voltage	.500 A @ 460.0 V 1.000 A @ 230.0 V 1.150 A @ 208.0 V
Design Code	-
Drip Cover	No Drip Cover
Duty Rating	CONT
Efficiency @ 100% Load	44.0 %
Electrically Isolated Bearing	Not Electrically Isolated
Feedback Device	NO FEEDBACK
Feedback Signal	NONE
Front Face Code	Standard
Front Shaft Indicator	None
Heater Indicator	No Heater
High Voltage Full Load Amps	0.5 a
Insulation Class	B

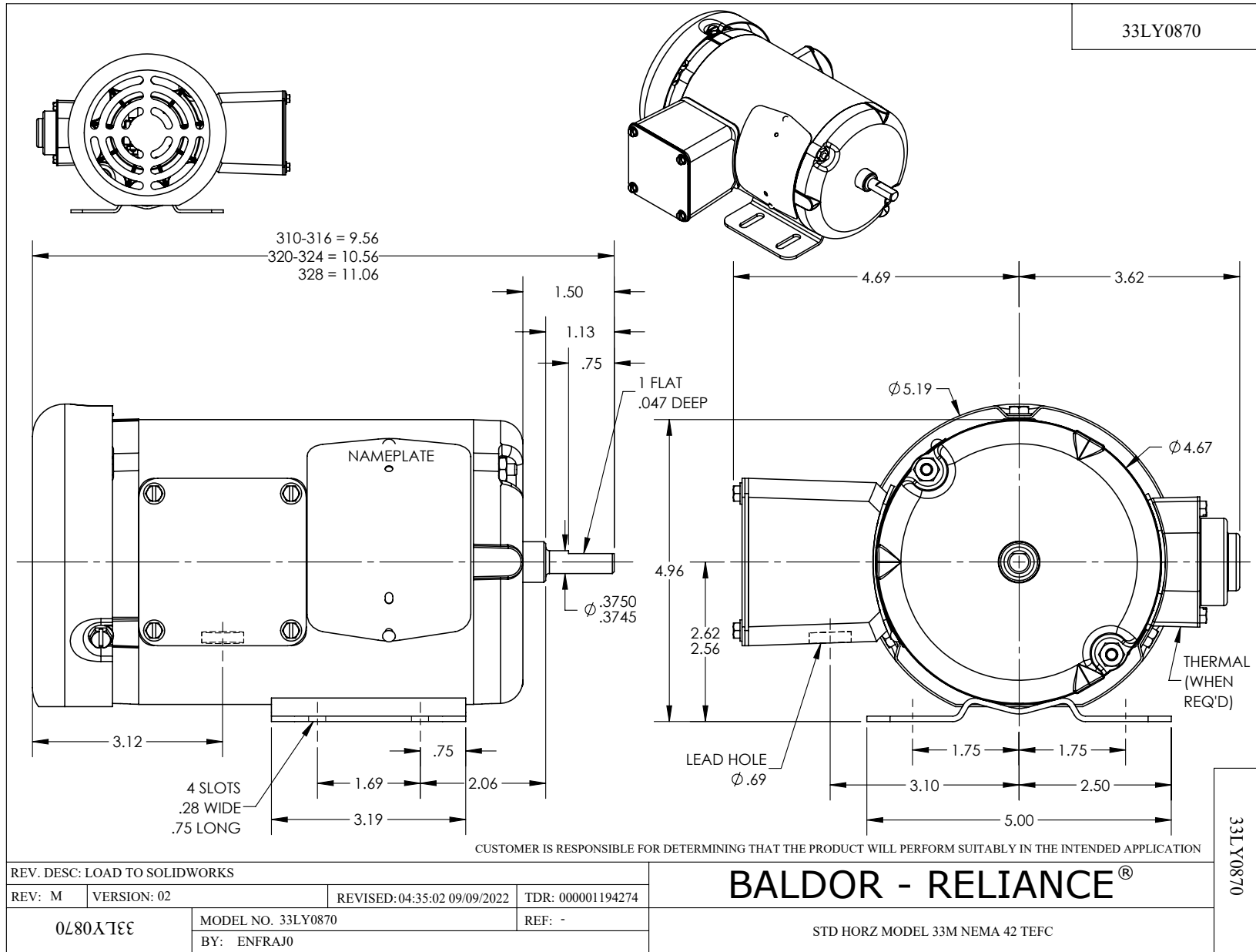
Part Detail

Revision	AK
Type	AC
Mech. spec.	33-870
Base	
Status	PRD/A
Elec. spec.	33WG0515
Layout	33LY0870
Eff. date	10-24-2024
CD Diagram	CD0005A05
Poles	04
Leads	9#18
Proprietary	False
Created date	06-25-2007

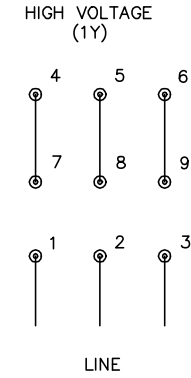
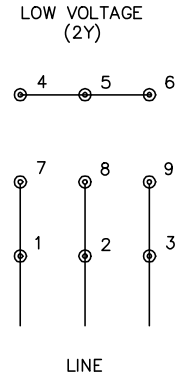
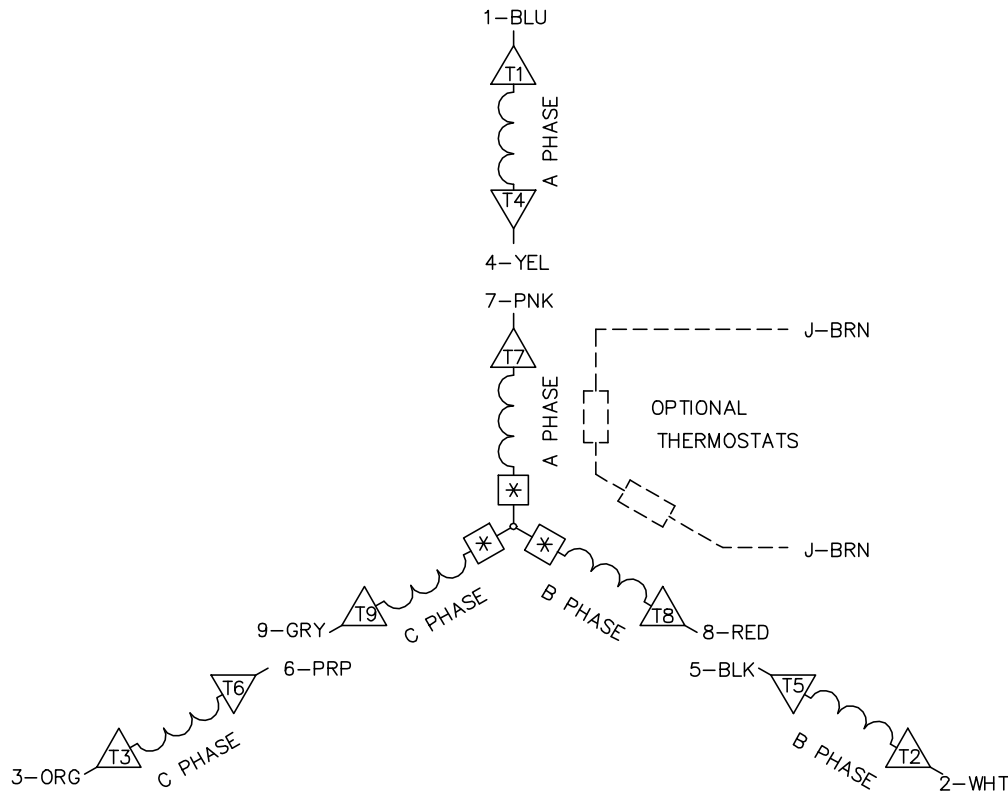
Inverter Code	Not Inverter
IP Rating	NONE
KVA Code	-
Lifting Lugs	No Lifting Lugs
Locked Bearing Indicator	No Locked Bearing
Motor Lead Exit	Ko Box
Motor Lead Quantity/Wire Size	9 @ 18 AWG
Motor Lead Termination	Flying Leads
Motor Standards	NEMA
Motor Type	3313M
Mounting Arrangement	F1
Number of Poles	4
Overall Length	9.56 IN
Power Factor	42
Product Family	General Purpose
Pulley End Bearing Type	Ball
Pulley Face Code	Standard
Pulley Shaft Indicator	Standard
Rodent Screen	None
RoHS Status	ROHS COMPLIANT
Service Factor	1.40
Shaft Diameter	0.375 IN
Shaft Extension Location	Pulley End
Shaft Ground Indicator	No Shaft Grounding
Shaft Rotation	Reversible
Shaft Slinger Indicator	No Slinger
Speed	1725 rpm
Speed Code	Single Speed
Starting Method	Direct on line
Thermal Device - Bearing	None
Thermal Device - Winding	None
Vibration Sensor Indicator	No Vibration Sensor
Winding Thermal 1	None
Winding Thermal 2	None

Nameplate

NP1256L									
CAT.NO.	M3353								
SPEC.	33-870-515								
HP	.13								
VOLTS	230/460								
AMP	1/.5								
RPM	1725								
FRAME	42		HZ	60		PH	3		
SER.F.	1.40	CODE	-	DES	-	CLASS	B		
NEMA-NOM-EFF	44	PF	42						
RATING	40C AMB-CONT								
CC									
DE	6203		ODE	6203					
ENCL	TEFC	SN							
	SFA 1.1/.55								



CD0005A05



NOTES:

1. INTERCHANGE ANY TWO LINE LEADS TO REVERSE ROTATION.
2. OPTIONAL THERMOSTATS ARE PROVIDED WHEN SPECIFIED.
3. ACTUAL NUMBER OF INTERNAL PARALLEL CIRCUITS MAY BE A MULTIPLE OF THOSE SHOWN ABOVE.
4. LEAD COLORS ARE OPTIONAL. LEADS MUST ALWAYS BE NUMBERED AS SHOWN.
5. =MAGNET WIRE COIL END WITH I.D. NUMBER.
6. =MAGNET WIRE COIL END WITH I.D. SYMBOL.
7. SEE CW PRINT FOR NEST TO NEST CROSSOVER CONNECTIONS.

REV. DESC: ADD NEST NOTE		
REV. LTR: C	VERSION: 03	TDR: 000000445597
CD0005A05	FILE: \CKA\00024\847	REVISED: 12:51:06 11/15/2007
	MTL: -	BY: CKMICRO

BALDOR • DODGE • RELIANCE

3PH, DV, 9 LEADS, CK

CD0005A05