

ABB BALDOR RELIANCE III



Customer information packet

M3326

5HP, 1725RPM, 3PH, 60HZ, 254, 3720M, OPEN, F1, N

Class - None

Division - Not Applicable

Specifications

Enclosure	OPEN
Frame	254
Frame Material	Steel
Frequency	60.00 Hz
Haz Area Class and Group	None
Haz Area Division	Not Applicable
Motor Letter Type	Three Phase
Output @ Frequency	5.000 HP @ 60 HZ
Phase	3
Synchronous Speed @ Frequency	1800 RPM @ 60 HZ
Voltage @ Frequency	460.0 V @ 60 HZ 230.0 V @ 60 HZ 208.0 V @ 60 HZ
Agency Approvals	CSA UR
Ambient Temperature	40 °C
Auxiliary Box	NO AUXILLARY BOX
Auxiliary Box Lead Termination	None
Base Indicator	Rigid
Bearing Grease Type	Polyrex EM (-20F +300F)
Blower	None
Current @ Voltage	6.800 A @ 460.0 V 15.200 A @ 208.0 V 13.600 A @ 230.0 V
Design Code	B
Drip Cover	No Drip Cover
Duty Rating	CONT
Efficiency @ 100% Load	84.0 %
Electrically Isolated Bearing	Not Electrically Isolated
Feedback Device	NO FEEDBACK
Front Face Code	Standard
Front Shaft Indicator	None

Part Detail

Revision	AL
Type	AC
Mech. spec.	37E027
Base	
Status	INA/A
Elec. spec.	37WGZ042
Layout	37LYE027
Eff. date	02-10-2017
CD Diagram	CD0005
Poles	04
Leads	9#14 Y
Proprietary	False
Created date	01-01-0001

Heater Indicator	No Heater
High Voltage Full Load Amps	6.8 a
Insulation Class	B
Inverter Code	Not Inverter
KVA Code	H
Lifting Lugs	Standard Lifting Lugs
Locked Bearing Indicator	No Locked Bearing
Motor Lead Exit	Ko Box
Motor Lead Quantity/Wire Size	9 @ 14 AWG
Motor Lead Termination	Flying Leads
Motor Standards	NEMA
Motor Type	3720M
Mounting Arrangement	F1
Number of Poles	4
Overall Length	18.32 IN
Power Factor	80
Product Family	General Purpose
Pulley End Bearing Type	Ball
Pulley Face Code	Standard
Pulley Shaft Indicator	Standard
Rodent Screen	None
Service Factor	1.15
Shaft Diameter	1.125 IN
Shaft Extension Location	Pulley End
Shaft Ground Indicator	No Shaft Grounding
Shaft Rotation	Reversible
Shaft Slinger Indicator	No Slinger
Speed	1725 rpm
Speed Code	Single Speed
Starting Method	Direct on line
Thermal Device - Bearing	None
Thermal Device - Winding	None
Vibration Sensor Indicator	No Vibration Sensor
Winding Thermal 1	None

Winding Thermal 2

None

Nameplate

NP1256L									
CAT.NO.									
SPEC.	37E27Z42								
HP	5								
VOLTS	208-230/460								
AMP	15.2-13.6/6.8								
RPM	1725								
FRAME	254		HZ	60			PH	3	
SER.F.	1.15	CODE	H	DES	B	CLASS		B	
NEMA-NOM-EFF	84	PF	80						
RATING	40C AMB-CONT								
CC									
DE	6307	ODE	6206						
ENCL	OPEN	SN							

Accessories

Part number	Description	Multiplier
37-1402	C FACE KIT	A8

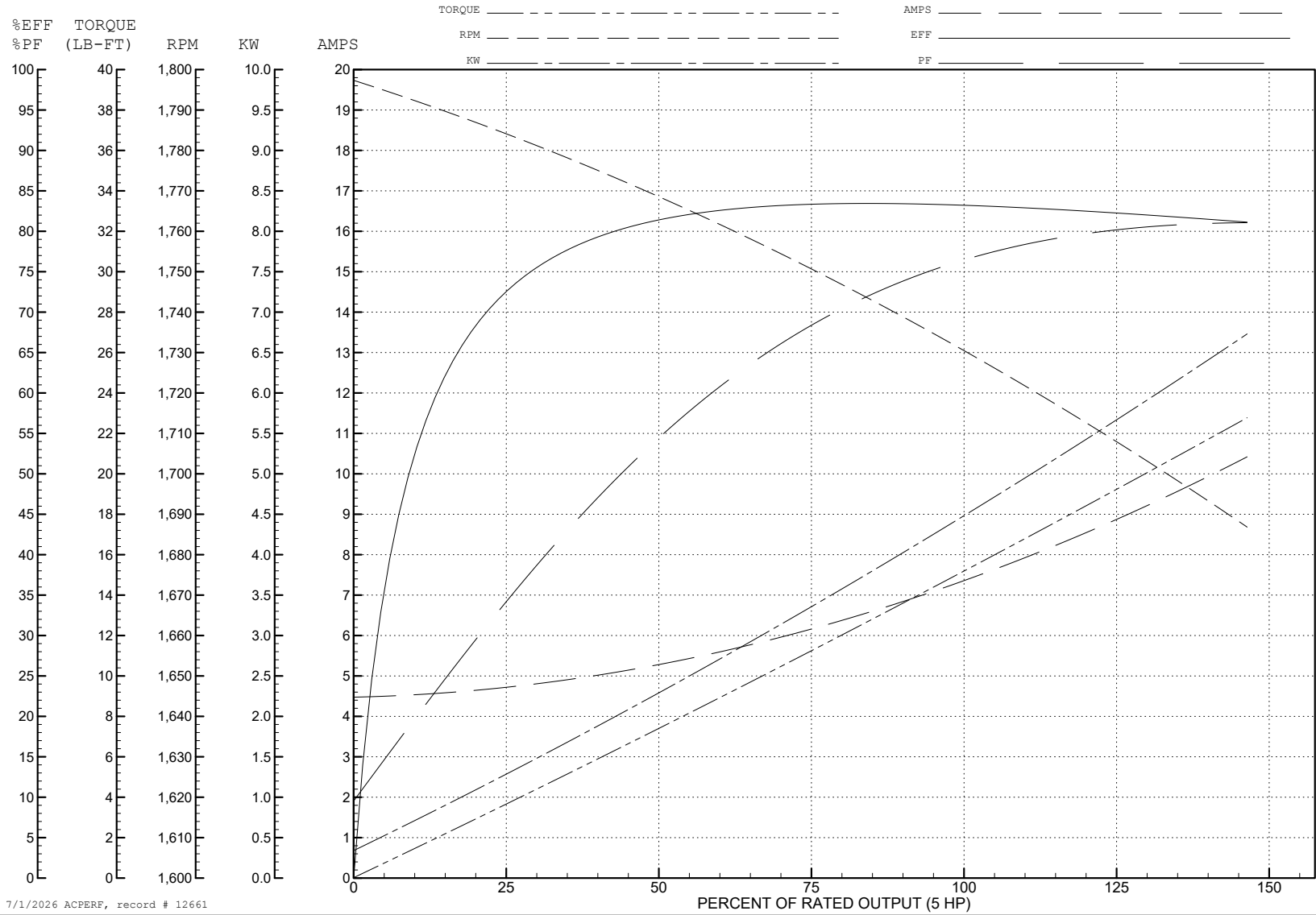
ABB Motors and Mechanical Inc.

WINDING # 37WGZ042

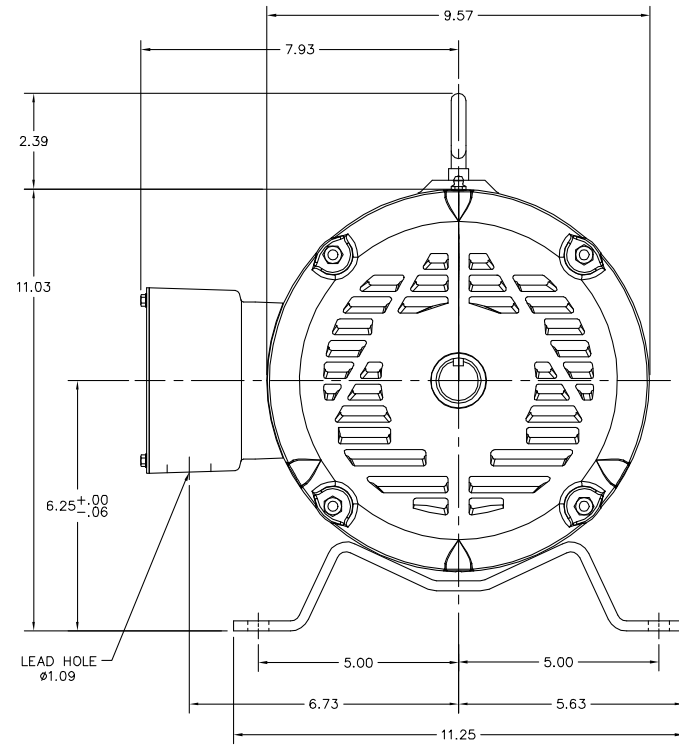
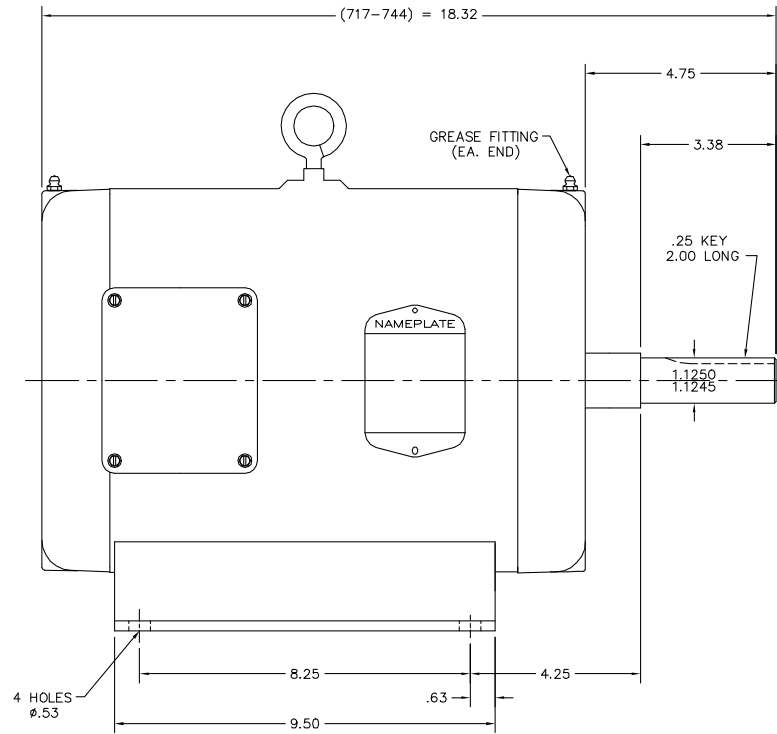
Typical performance - not guaranteed values.

5 HP 3 PH 60 HZ 1725 RPM 460 V 3720M

TORQUES (LB-FT): PO=43 PU=29 LR=31 LRA=42



37LYE027



37LYE027

CUSTOMER IS RESPONSIBLE FOR DETERMINING THAT BALDOR'S PRODUCT WILL PERFORM SUITABLY IN THE INTENDED APPLICATION.

REV. DESC: REPLACE ENDPLATES		
REV. LTR: C	VERSION: 01	TDR: 000001018975
FILE: \AAA\00007\639	REVISED: 10:30:40 03/14/2017	BY: USZAHAR
MTL: -		

BALDOR
STD HORIZ NEMA 254 -OPEN- 37M
SH 1 of 1

CD0005



LOW VOLTAGE
(2Y)



LINE

HIGH VOLTAGE
(1Y)



LINE

NOTES:

1. INTERCHANGE ANY TWO LINE LEADS TO REVERSE ROTATION.
2. OPTIONAL THERMOSTATS ARE PROVIDED WHEN SPECIFIED.
3. ACTUAL NUMBER OF INTERNAL PARALLEL CIRCUITS MAY BE A MULTIPLE OF THOSE SHOWN ABOVE.
4. LEAD COLORS ARE OPTIONAL. LEADS MUST ALWAYS BE NUMBERED AS SHOWN.

CD0005

REV. DESC: REVISE TO SHOW OPTIONAL COLORS

REV. LTR: E BY: JLP REVISED: 01/19/99 10:15 TDR: 0171435

500000

FILE: AAA00005140

MDL: -

MTL: -

BALDOR ELECTRIC Co.

3PH, DV, 9 LEADS