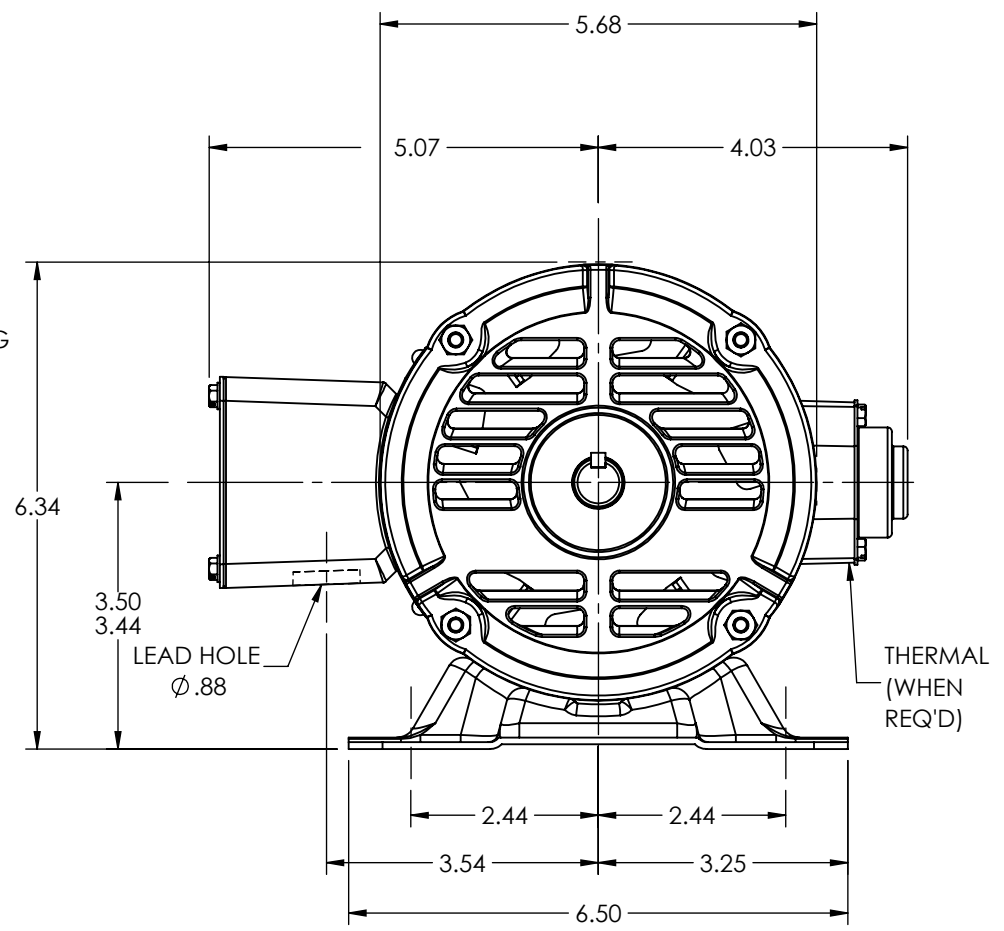
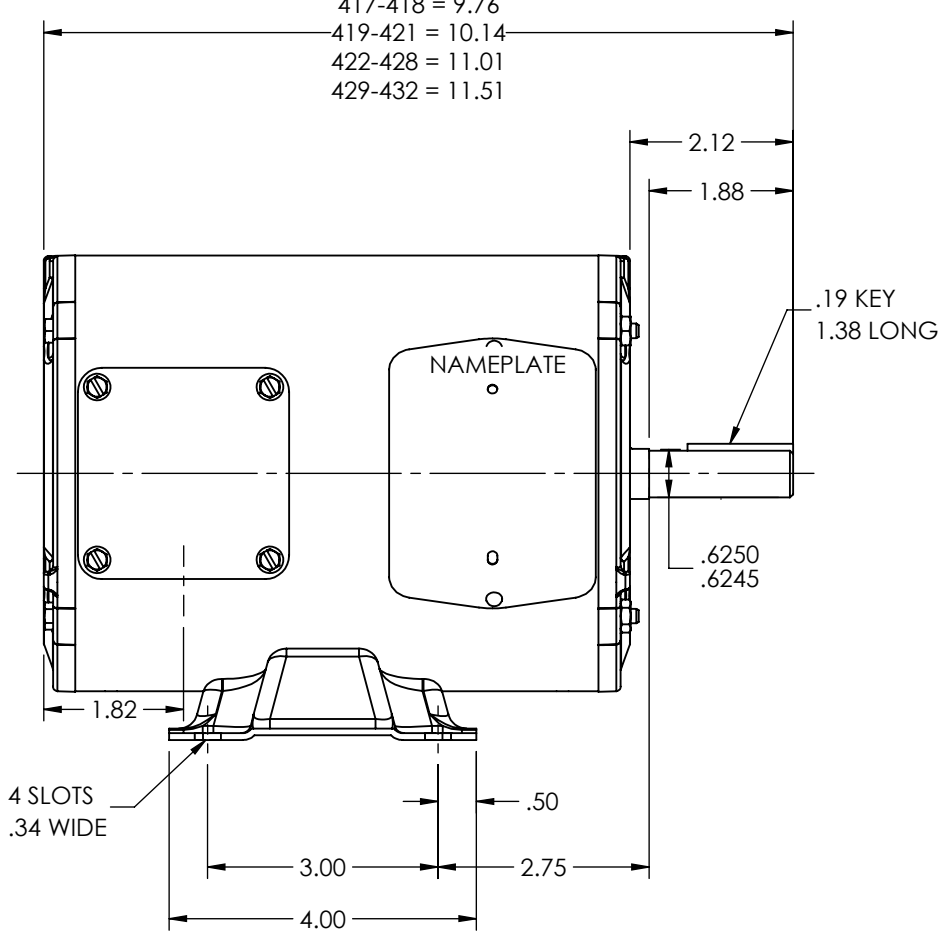


34LYF779

408-416 = 9.51  
417-418 = 9.76  
419-421 = 10.14  
422-428 = 11.01  
429-432 = 11.51



CUSTOMER IS RESPONSIBLE FOR DETERMINING THAT THE PRODUCT WILL PERFORM SUITABLY IN THE INTENDED APPLICATION

REV. DESC: LOAD TO SOLIDWORKS			
REV: E	VERSION: 05	REVISED: 04:43:07 09/21/2022	TDR: 000001194274
34LYF779	MODEL NO. 34LYF779		REF: -
	BY: ENFRAJ0		

**BALDOR - RELIANCE®**

HORZ 34M NEMA 56 OPEN

34LYF779