

**BALDOR® • RELIANCE®**

---

# Customer information packet

## M3108-57

.5HP, 1425 IP23RPM, 3PH, 50HZ, 56, 3420M, OPEN

Class - None

Division - Not Applicable

## Specifications

Enclosure	OPEN
Frame	56
Frame Material	Steel
Frequency	50.00 Hz
Motor Letter Type	Three Phase
Output @ Frequency	.500 HP @ 50 HZ
Phase	3
Synchronous Speed @ Frequency	1500 RPM @ 50 HZ
Voltage @ Frequency	400.0 V @ 50 HZ 230.0 V @ 50 HZ
XP Class and Group	None
XP Division	Not Applicable
Agency Approvals	CE CSA UR WEEE
Ambient Temperature	40 °C
Auxillary Box	No Auxillary Box
Auxillary Box Lead Termination	None
Base Indicator	Rigid
Bearing Grease Type	Polyrex EM (-20F +300F)
Blower	None
Current @ Voltage	1.000 A @ 400.0 V 1.700 A @ 230.0 V
Design Code	B
Drip Cover	No Drip Cover
Duty Rating	CONT
Efficiency @ 100% Load	73.0 %
Electrically Isolated Bearing	Not Electrically Isolated
Feedback Device	NO FEEDBACK
Front Face Code	Standard
Front Shaft Indicator	None

## Part detail

Revision	D
Type	AC
Mech. spec.	34F779
Base	
Status	PRD/A
Elec. spec.	34WGX268
Layout	34LYF779
Eff. date	04-15-2020
CD Diagram	CD0022
Poles	04
Leads	6#18
Proprietary	False
Created date	09-07-2011

Heater Indicator	No Heater
High Voltage Full Load Amps	1.0 a
Insulation Class	B
Inverter Code	Not Inverter
KVA Code	K
Lifting Lugs	No Lifting Lugs
Locked Bearing Indicator	No Locked Bearing
Motor Lead Exit	Ko Box
Motor Lead Quantity/Wire Size	6 @ 18 AWG
Motor Lead Termination	Flying Leads
Motor Standards	NEMA
Motor Type	3420M
Mounting Arrangement	F1
Number of Poles	4
Overall Length	10.12 IN
Power Factor	67
Product Family	General Purpose
Pulley End Bearing Type	Ball
Pulley Face Code	Standard
Pulley Shaft Indicator	Standard
Rodent Screen	None
RoHS Status	ROHS COMPLIANT
Service Factor	1.25
Shaft Diameter	0.625 IN
Shaft Extension Location	Pulley End
Shaft Ground Indicator	No Shaft Grounding
Shaft Rotation	Reversible
Shaft Slinger Indicator	No Slinger
Speed	1425 rpm
Speed Code	Single Speed
Starting Method	Direct on line
Thermal Device - Bearing	None
Thermal Device - Winding	None
Vibration Sensor Indicator	No Vibration Sensor

Winding Thermal 1	None
Winding Thermal 2	None

---

**Nameplate**

<b>NP1372L</b>									
<b>CAT.NO.</b>	M3108-57								
<b>SPEC.</b>	34F779X268G1								
<b>HP</b>	.5 /KW .37								
<b>VOLTS</b>	230/400								
<b>AMP</b>	1.7/1 SFA 2/1.2								
<b>RPM</b>	1425 1/MIN IP23 IC411 12KG								
<b>FRAME</b>	56	<b>HZ</b>	50	<b>PH</b>	3				
<b>SER.F.</b>	1.25	<b>CODE</b>	K	<b>DES</b>	B	<b>CL</b>	B		
<b>NEMA-NOM-EFF</b>	73	<b>PF</b>	67						
<b>RATING</b>	40C AMB-S1 CONT								
<b>CC</b>	<b>USABLE AT 208V</b>								
<b>DE</b>	6203	<b>ODE</b>	6203						
<b>ENCL</b>	OPEN	<b>SN</b>							
IE2-71.8(75%)66.3(50%)									

**AC Induction Motor Performance Data**

Record # 35149

Typical performance - not guaranteed values

<b>Winding:</b> 34WGX268-R010		<b>Type:</b> 3420M		<b>Enclosure:</b> OPEN	
<b>Nameplate Data</b>			<b>400 V, 50 Hz: High Voltage Connection</b>		
<b>Rated Output (HP)</b>	.5	<b>Full Load Torque</b>	1.8 LB-FT		
<b>Volts</b>	230/400	<b>Start Configuration</b>	direct on line		
<b>Full Load Amps</b>	1.7/1	<b>Breakdown Torque</b>	6.97 LB-FT		
<b>R.P.M.</b>	1425	<b>Pull-up Torque</b>	5.9 LB-FT		
<b>Hz</b>	50 <b>Phase</b>	3	<b>Locked-rotor Torque</b>	6.96 LB-FT	
<b>NEMA Design Code</b>	<b>B KVA Code</b>	K	<b>Starting Current</b>	6.31 A	
<b>Service Factor (S.F.)</b>		1.25	<b>No-load Current</b>	0.704 A	
<b>NEMA Nom. Eff.</b>	73 <b>Power Factor</b>	67	<b>Line-line Res. @ 25°C</b>	27.1 Ω	
<b>Rating - Duty</b>	40C AMB-CONT		<b>Temp. Rise @ Rated Load</b>		
<b>S.F. Amps</b>	2/1.2		<b>Temp. Rise @ S.F. Load</b>		
			<b>Locked-rotor Power Factor</b>	64	
			<b>Rotor inertia</b>	0.0476 LB-FT <sup>2</sup>	

**Load Characteristics 400 V, 50 Hz, 0.5 HP**

<b>% of Rated Load</b>	<b>25</b>	<b>50</b>	<b>75</b>	<b>100</b>	<b>125</b>	<b>150</b>	<b>S.F.</b>
<b>Power Factor</b>	35	50	62	69	77	80	77
<b>Efficiency</b>	52.4	66.3	71.8	73.3	73.9	73.1	73.9
<b>Speed</b>	1479	1465	1448	1418	1406	1374	1406
<b>Line amperes</b>	0.749	0.819	0.901	1.04	1.15	1.31	1.15

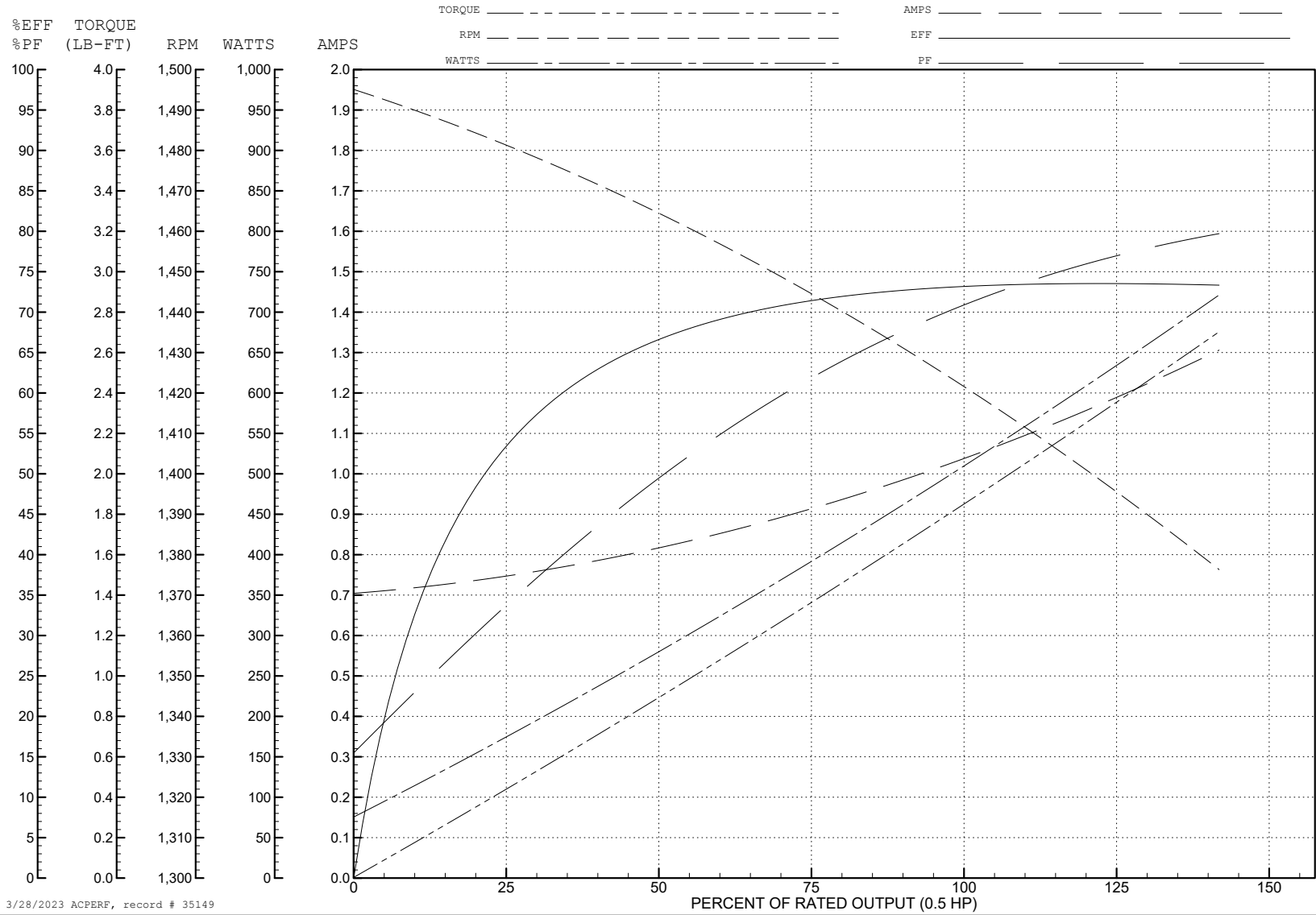
ABB Motors and Mechanical Inc.

WINDING # 34WGX268

0.5 HP 3 PH 50 HZ 1425 RPM 400 V 3420M

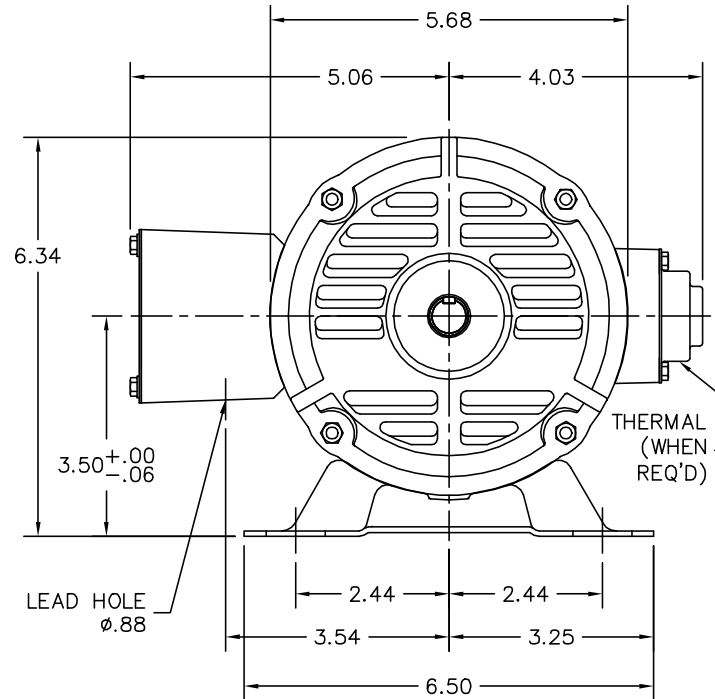
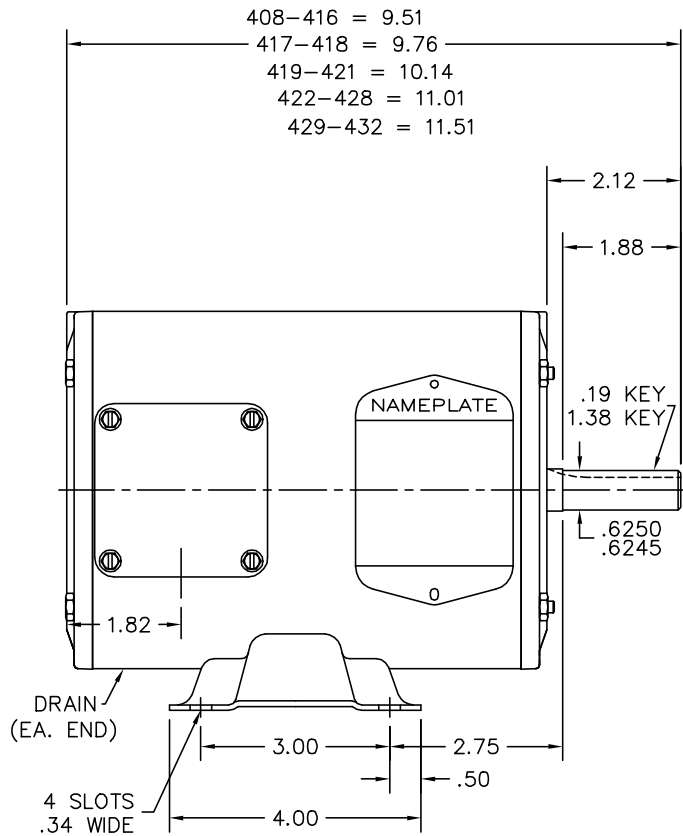
Typical performance - not guaranteed values.

TORQUES (LB-FT): PO=6.97 PU=5.9 LR=6.96 LRA=6.31



3/28/2023 ACPERF, record # 35149

34LYF779



CUSTOMER IS RESPONSIBLE FOR DETERMINING THAT BALDOR'S PRODUCT WILL PERFORM SUITABLY IN THE INTENDED APPLICATION.

REV. DESC: CHG PUEP FROM 34EP3212A24 TO -A02 SEE ZTR02 NOTES		
REV. LTR: D	VERSION: 04	TDR: 000000991828
FILE: \AAA\00181\763	REVISED: 09:50:22 08/11/2016	BY: ENBENBO
MTL: -	© □	

**BALDOR**

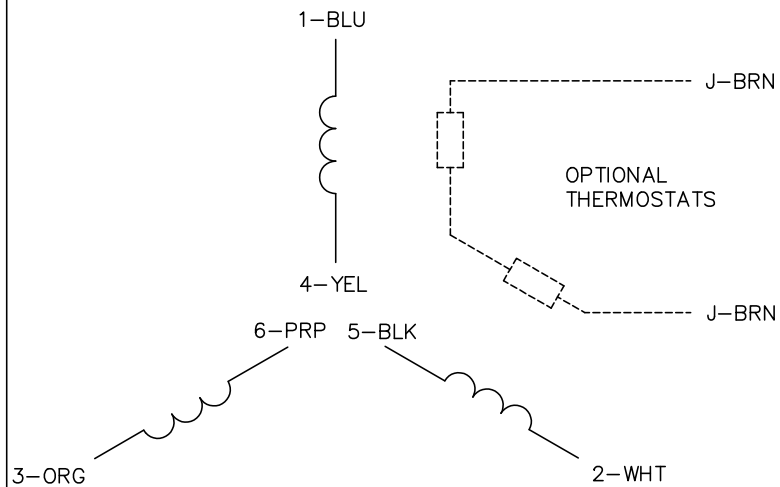
HORZ 34M NEMA 56 OPEN

SH 1 of 1

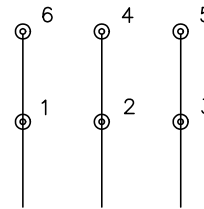
34LYF779



CD0022

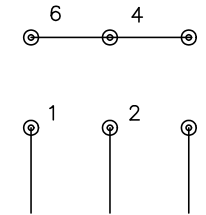


LOW VOLTAGE  
(1D)



LINE

HIGH VOLTAGE  
(1Y)



LINE

NOTES:

1. INTERCHANGE ANY TWO LINE LEADS TO REVERSE ROTATION.
2. OPTIONAL THERMOSTATS ARE PROVIDED WHEN SPECIFIED.
3. ACTUAL NUMBER OF INTERNAL PARALLEL CIRCUITS MAY BE A MULTIPLE OF THOSE SHOWN ABOVE.
4. LEAD COLORS ARE OPTIONAL. LEADS MUST ALWAYS BE NUMBERED AS SHOWN.

REV. DESC: REVISE TO SHOW OPTIONAL COLORS			
REV. LTR: F	BY: JLP	REVISED: 01/21/99 3:54	TDR: 0171435
CD0022		FILE: AAA00005144	MDL: -
		MTL: -	

**BALDOR ELECTRIC Co.**

3PH, DV, 6 LEADS, DELTA/WYE CONNECTION

CD0022