



Customer information packet

M1711T

15-7.5HP, 1760/875RPM, 3PH, 60HZ, 256T, 0944M

Class - None

Division - Not Applicable

Specifications

| | |
|--------------------------------|---------------------------------------|
| Enclosure | TEFC |
| Frame | 256T |
| Frame Material | Iron |
| Frequency | 60.00 Hz |
| Haz Area Class and Group | None |
| Haz Area Division | Not Applicable |
| Motor Letter Type | Three Phase |
| Output @ Frequency | 7.500 HP @ 60 HZ 15.000 HP @ 60 HZ |
| Phase | 3 |
| Synchronous Speed @ Frequency | 1800 RPM @ 60 HZ |
| Voltage @ Frequency | 460.0 V @ 60 HZ |
| Agency Approvals | UR CSA |
| Ambient Temperature | 40 °C |
| Auxillary Box | No Auxillary Box |
| Auxillary Box Lead Termination | None |
| Base Indicator | Rigid |
| Bearing Grease Type | Polyrex EM (-20F +300F) |
| Blower | None |
| Current @ Voltage | 19.200 A @ 460.0 V |
| Design Code | A |
| Drip Cover | No Drip Cover |
| Duty Rating | CONT |
| Electrically Isolated Bearing | Not Electrically Isolated |
| Feedback Device | NO FEEDBACK |
| Front Face Code | Standard |
| Front Shaft Indicator | None |
| Heater Indicator | No Heater |
| High Voltage Full Load Amps | 16.8 a |
| Insulation Class | F |
| Inverter Code | Not Inverter |

Part detail

| | |
|--------------|------------|
| Revision | AU |
| Type | AC |
| Mech. spec. | 09C101 |
| Base | |
| Status | PRD/A |
| Elec. spec. | 09WGX235 |
| Layout | 09LYC101 |
| Eff. date | 02-08-2024 |
| CD Diagram | CD0011 |
| Poles | 04/08 |
| Leads | 6#12 |
| Proprietary | False |
| Created date | 01-01-0001 |

| | |
|--------------------------------------|-----------------------|
| KVA Code | H |
| Lifting Lugs | Standard Lifting Lugs |
| Locked Bearing Indicator | Locked Bearing |
| Motor Lead Exit | Ko Box |
| Motor Lead Quantity/Wire Size | 6 @ 12 AWG |
| Motor Lead Termination | Flying Leads |
| Motor Standards | NEMA |
| Motor Type | 0944M |
| Mounting Arrangement | F1 |
| Number of Poles | 4 8 |
| Overall Length | 23.28 IN |
| Product Family | General Purpose |
| Pulley End Bearing Type | Ball |
| Pulley Face Code | Standard |
| Pulley Shaft Indicator | Standard |
| Rodent Screen | None |
| Service Factor | 1.15 |
| Shaft Diameter | 1.625 IN |
| Shaft Extension Location | Pulley End |
| Shaft Ground Indicator | No Shaft Grounding |
| Shaft Rotation | Reversible |
| Shaft Slinger Indicator | Shaft Slinger |
| Speed | 1760 rpm 875 rpm |
| Speed Code | 2S-1W-CT |
| Starting Method | Direct on line |
| Thermal Device - Bearing | None |
| Thermal Device - Winding | None |
| Vibration Sensor Indicator | No Vibration Sensor |
| Winding Thermal 1 | None |
| Winding Thermal 2 | None |

Nameplate

| NP1256L | | | | | | | | | |
|---------------------|--------------|-------------|------------|------------|---|--------------|---|--|--|
| CAT.NO. | M1711T | | | | | | | | |
| SPEC. | 09C101X235 | | | | | | | | |
| HP | 15-7.5 | | | | | | | | |
| VOLTS | 460 | | | | | | | | |
| AMP | 19.2/16.8 | | | | | | | | |
| RPM | 1760/875 | | | | | | | | |
| FRAME | 256T | | HZ | 60 | | PH | 3 | | |
| SER.F. | 1.15 | CODE | H | DES | A | CLASS | F | | |
| NEMA-NOM-EFF | | PF | | | | | | | |
| RATING | 40C AMB-CONT | | | | | | | | |
| CC | | | | | | | | | |
| DE | 6309 | | ODE | 6208 | | | | | |
| ENCL | TEFC | SN | | | | | | | |

Accessories

| Part number | Description | Multiplier |
|--------------------|--------------------|-------------------|
| 09-1309 | C FACE KIT | A8 |

AC Induction Motor Performance Data

Record # 36433

Typical performance - not guaranteed values

| Winding: 09WGX235-R002 | | Type: 0944M | | Enclosure: TEFC | | | |
|------------------------|--------------|---------------------|--|-----------------------|----------|--|--|
| Nameplate Data | | | 460 V, 60 Hz: High Speed Connection | | | | |
| Rated Output (HP) | 15/7.5 | Full Load Torque | 45 LB-FT | | | | |
| Volts | 460 | Start Configuration | direct on line | | | | |
| Full Load Amps | 19.2/16.8 | Breakdown Torque | 135 LB-FT | | | | |
| R.P.M. | 1760/875 | Pull-up Torque | 49.6 LB-FT | | | | |
| Hz | 60 Phase | 3 | Locked-rotor Torque | 73.6 LB-FT | | | |
| NEMA Design Code | A | KVA Code | H | Starting Current | 129 A | | |
| Service Factor (S.F.) | 1.15 | | No-load Current | 8.41 A | | | |
| NEMA Nom. Eff. | 0 | Power Factor | 0 | Line-line Res. @ 25°C | 1.1904 Ω | | |
| Rating - Duty | 40C AMB-CONT | | Temp. Rise @ Rated Load | 69°C | | | |
| S.F. Amps | | | Temp. Rise @ S.F. Load | 84°C | | | |
| | | | Locked-rotor Power Factor | 55.3 | | | |

Load Characteristics 460 V, 60 Hz, 15 HP

| % of Rated Load | 25 | 50 | 75 | 100 | 125 | 150 | S.F. |
|-----------------|------|-------|-------|-------|-------|-------|------|
| Power Factor | 46 | 68 | 78 | 84 | 87 | 88 | 86 |
| Efficiency | 80.5 | 86.7 | 87.8 | 87.4 | 86.2 | 84.7 | 86.7 |
| Speed | 1793 | 1786 | 1779 | 1771 | 1762 | 1751 | 1766 |
| Line amperes | 9.74 | 12.18 | 15.42 | 19.17 | 23.54 | 28.14 | 21.8 |

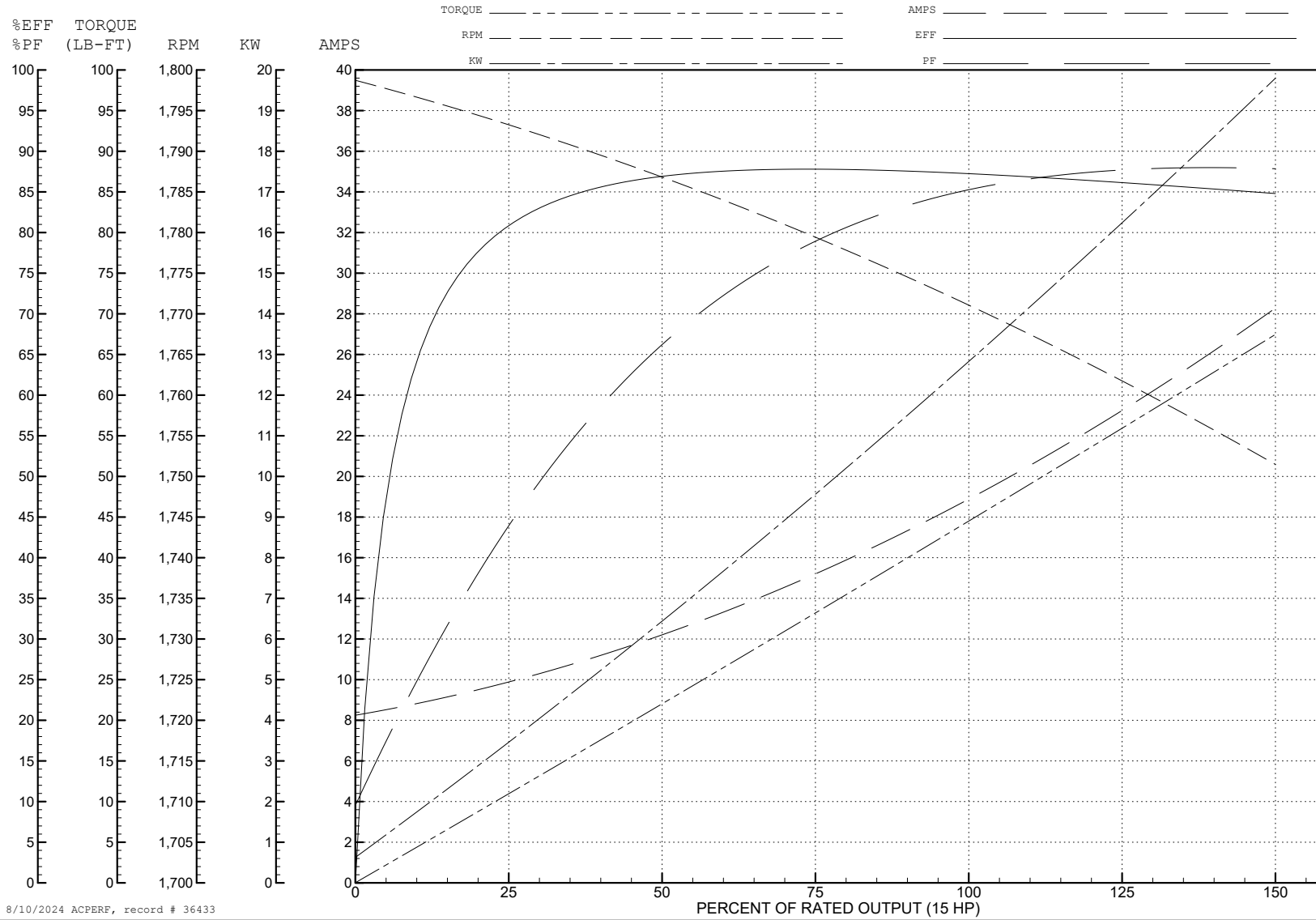
ABB Motors and Mechanical Inc.

WINDING # 09WGX235

Typical performance - not guaranteed values.

15 HP 3 PH 60 HZ 1771 RPM 460 V 0944M

TORQUES (LB-FT): PO=135 PU=49.6 LR=73.6 LRA=129



8/10/2024 ACPERF, record # 36433

AC Induction Motor Performance Data

Record # 36434

Typical performance - not guaranteed values

| Winding: 09WGX235-R002 | | Type: 0944M | | Enclosure: TEFC | | | |
|------------------------|--------------|---------------------|---|-----------------------|---------|--|--|
| Nameplate Data | | | 460 V, 60 Hz: Low Speed Connection | | | | |
| Rated Output (HP) | 15/7.5 | Full Load Torque | 45 LB-FT | | | | |
| Volts | 460 | Start Configuration | direct on line | | | | |
| Full Load Amps | 19.2/16.8 | Breakdown Torque | 122.2 LB-FT | | | | |
| R.P.M. | 1760/875 | Pull-up Torque | 49.9 LB-FT | | | | |
| Hz | 60 Phase | 3 | Locked-rotor Torque | 57.2 LB-FT | | | |
| NEMA Design Code | A | KVA Code | H | Starting Current | 67.1 A | | |
| Service Factor (S.F.) | 1.15 | | No-load Current | 13.84 A | | | |
| NEMA Nom. Eff. | 0 | Power Factor | 0 | Line-line Res. @ 25°C | 1.585 Ω | | |
| Rating - Duty | 40C AMB-CONT | | Temp. Rise @ Rated Load | 84°C | | | |
| S.F. Amps | | | Temp. Rise @ S.F. Load | 95°C | | | |
| | | | Locked-rotor Power Factor | 42.2 | | | |

Load Characteristics 460 V, 60 Hz, 7.5 HP

| % of Rated Load | 25 | 50 | 75 | 100 | 125 | 150 | S.F. |
|-----------------|------|-------|-------|------|-------|-------|------|
| Power Factor | 21 | 33 | 44 | 52 | 59 | 63 | 56 |
| Efficiency | 59.6 | 73.3 | 78.3 | 80.3 | 80.7 | 80.2 | 80.5 |
| Speed | 896 | 892 | 887 | 882 | 876 | 870 | 878 |
| Line amperes | 14 | 14.59 | 15.52 | 16.8 | 18.57 | 20.59 | 17.9 |

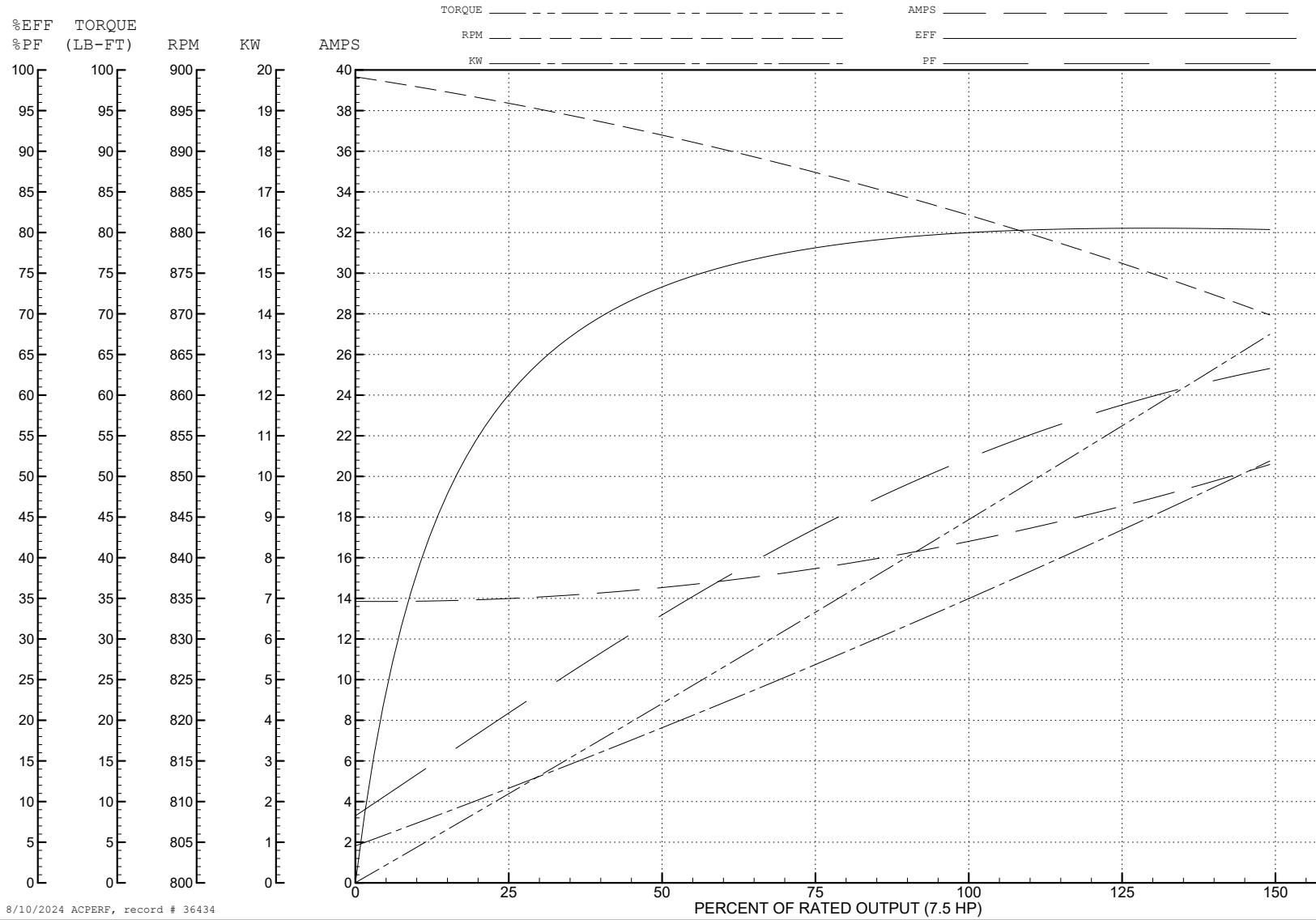
ABB Motors and Mechanical Inc.

WINDING # 09WGX235

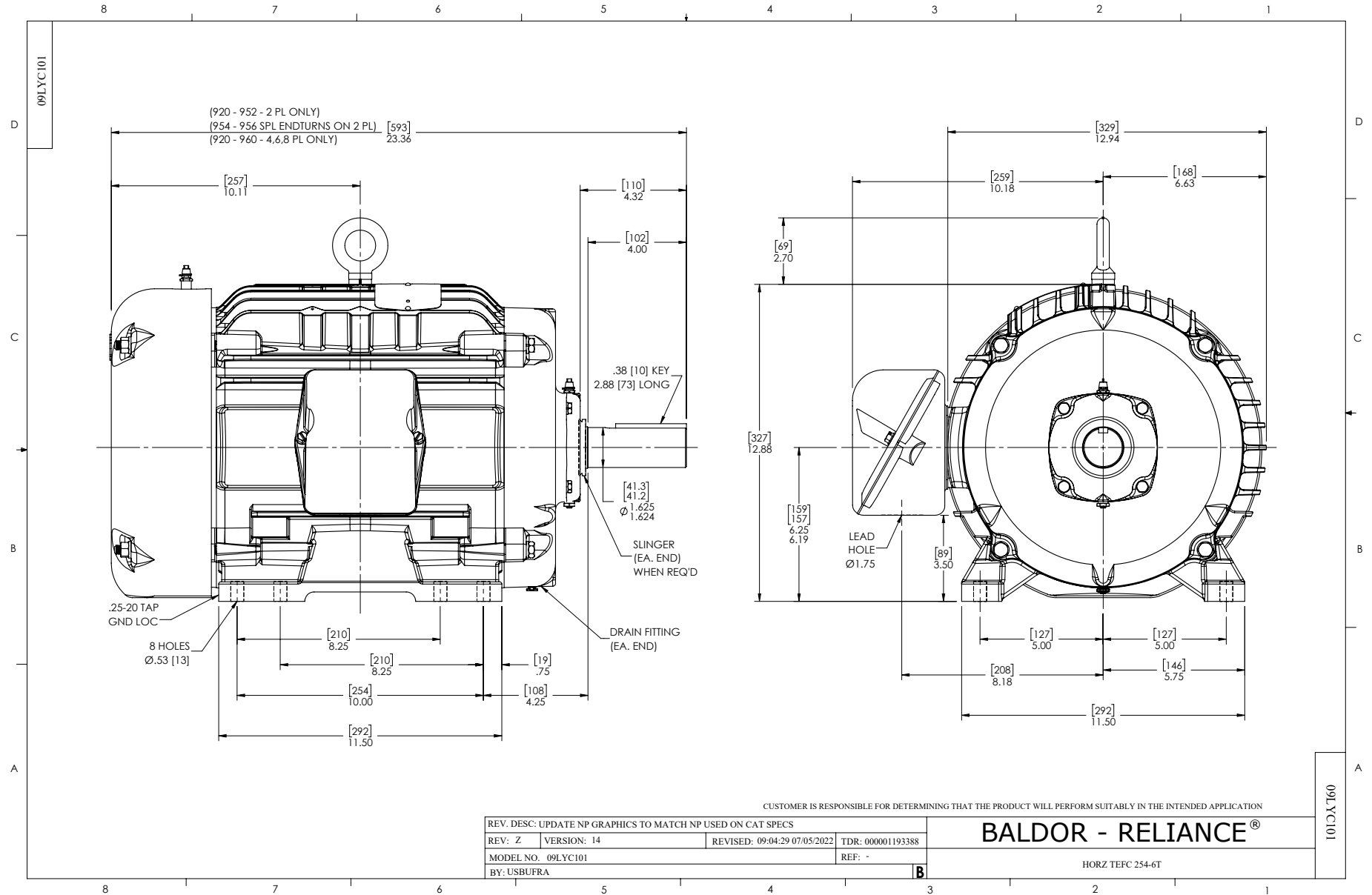
7.5 HP 3 PH 60 HZ 882 RPM 460 V 0944M

Typical performance - not guaranteed values.

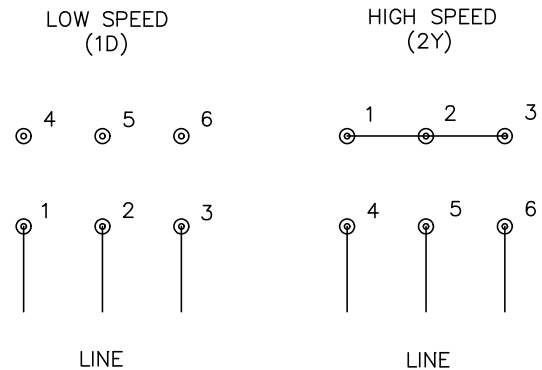
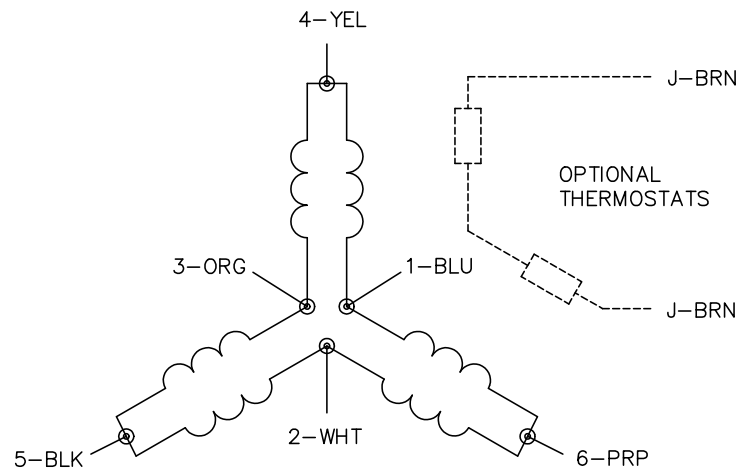
TORQUES (LB-FT): PO=122.2 PU=49.9 LR=57.2 LRA=67.1



8/10/2024 ACPERF, record # 36434



CD0011



NOTES:

1. INTERCHANGE ANY TWO LINE LEADS TO REVERSE ROTATION.
2. OPTIONAL THERMOSTATS ARE PROVIDED WHEN SPECIFIED.
3. ACTUAL NUMBER OF INTERNAL PARALLEL CIRCUITS MAY BE A MULTIPLE OF THOSE SHOWN ABOVE.
4. LEAD COLORS ARE OPTIONAL. LEADS MUST ALWAYS BE NUMBERED AS SHOWN.

CD0011

| | | | |
|---|---------|------------------------|--------------|
| REV. DESC: REVISE TO SHOW OPTIONAL COLORS | | | |
| REV. LTR: F | BY: JLP | REVISED: 01/21/99 5:04 | TDR: 0171435 |
| 110000 | | FILE: DWG\142.wg | MDL: - |
| | | MTL: - | |

BALDOR ELECTRIC Co.

3PH, SV, 6 LEADS, 2-SPEED 1-WINDING CONSTANT TORQUE