

BALDOR • RELIANCE

Customer information packet

LPL75

.75HP, 3600RPM, 1PH, 60HZ, 3524C, DENTAL LATH

Specifications

Enclosure	TENV
Frame Material	Steel
Frequency	60.00 Hz 60.00 Hz
Motor Letter Type	Oil Capacitor Start and Run
Nameplate Output	.75
Number of Poles	2 2
Output @ Frequency	.750 HP @ 60 HZ
Phase	1 1
Product Style	BUFFER
Speed	3600 rpm 3600 rpm
Synchronous Speed @ Frequency	3600 RPM @ 60 HZ
Voltage	115 V 230 V
Voltage @ Frequency	230.0 V @ 60 HZ 115.0 V @ 60 HZ
Agency Approvals	UR
Ambient Temperature	40 °C
Base Indicator	Rigid
Bearing Grease Type	Polyrex EM (-20F +300F)
Current @ Voltage	2.400 A @ 230.0 V 4.800 A @ 115.0 V
Duty Rating	CONT
Feedback Device	NO FEEDBACK
Insulation Class	B
KVA Code	-
Motor Lead Quantity/Wire Size	4 @ 18 AWG
Motor Standards	Other
Motor Type	3524C

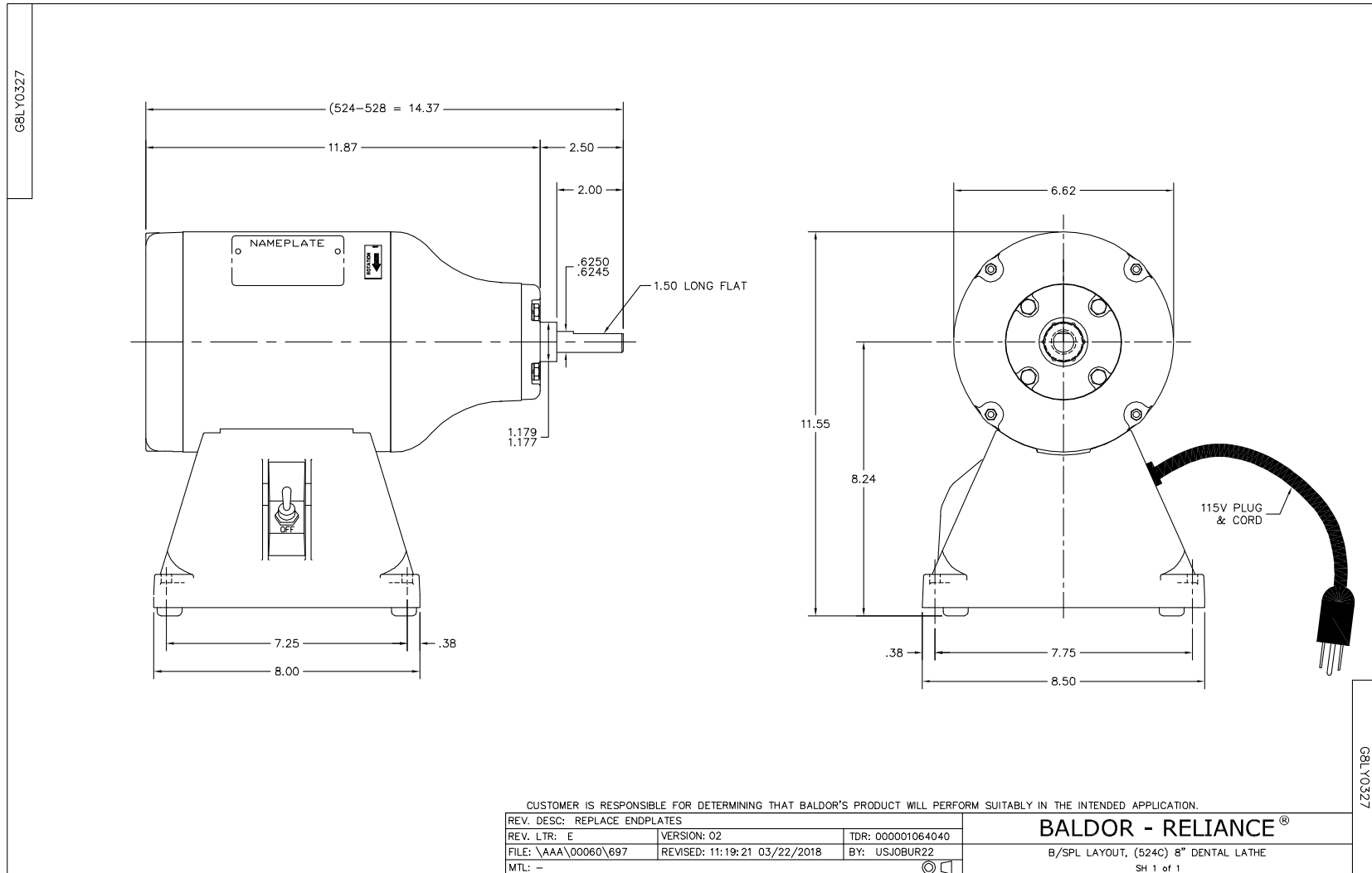
Part detail

Revision	BF
Type	AC
Mech. spec.	G8-327
Base	
Status	PRD/A
Elec. spec.	G8WG0011
Layout	G8LY0327
Eff. date	09-25-2025
CD Diagram	CD0121
Poles	02
Leads	4#18
Proprietary	False
Created date	08-08-2007

Mounting Arrangement	F1
Overall Length	14.37 IN
Product Family	Dental Lathe
Service Factor	1.00
Shaft Extension Location	Pulley End
Shaft Rotation	Fixed Opposite Standard
Shaft Slinger Indicator	No Slinger
Speed Code	Single Speed
Starting Method	Direct on line
Thermal Device - Winding	None

Nameplate

NP3352L			
CAT.NO.	LPL75		
HP	.75	VOLTS	115/230
PHASE	1	AMPS	4.8/2.4
HZ	60	RPM	3600
SER.NO			
SPEC.	G8-327-11		
BLANK			

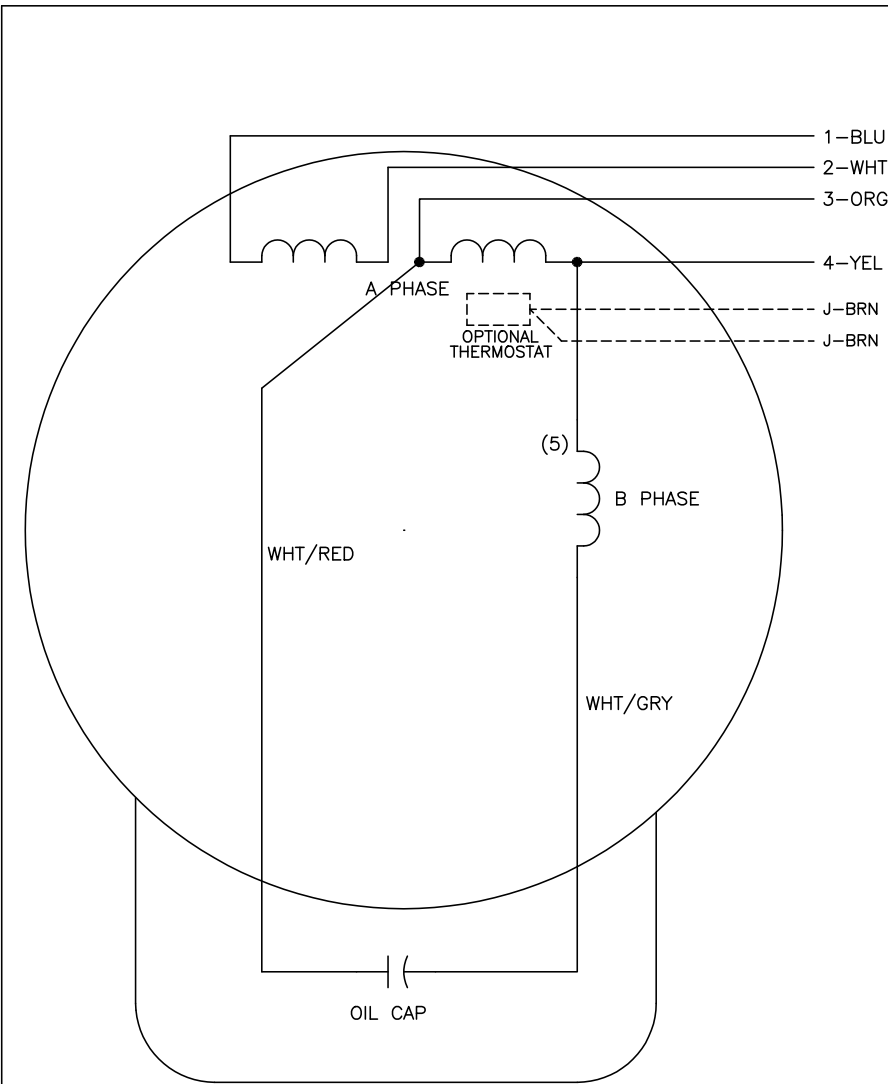


CUSTOMER IS RESPONSIBLE FOR DETERMINING THAT BALDOR'S PRODUCT WILL PERFORM SUITABLY IN THE INTENDED APPLICATION.

REV. DESC: REPLACE ENDPLATES	VERSION: 02	TDR: 000001064040
REV. LTR: E	REVISED: 11:19:21 03/22/2018	BY: USJOBUR22
FILE: \AAA\00060\697		
MTL: -		

BALDOR - RELIANCE[®]
 B/SPL LAYOUT, (524C) 8" DENTAL LATHE
 SH 1 of 1

CD0121



	LINE A	LINE B	JOIN
HIGH	1	4	2,3
LOW	1,3	2,4	-

NOTES:

1. CONNECTIONS ARE SHOWN FOR CCW ROTATION FACING END OPPOSITE SHAFT EXTENSION (STD). FOR CW ROTATION, INTERCHANGE 5 AND 8 INTERNALLY.
2. OPTIONAL THERMOSTAT IS PROVIDED WHEN SPECIFIED.
3. MULTIPLE CAPACITORS ARE CONNECTED IN PARALLEL UNLESS OTHERWISE SPECIFIED.
4. LEAD COLORS ARE OPTIONAL. LEADS MUST ALWAYS BE NUMBERED AS SHOWN.

REV. DESC: REVISE TO SHOW OPTIONAL COLORS			
REV. LTR: C	BY: JLP	REVISED: 04/08/99 4:14	TDR: 0178636
CD0121		FILE: AAA00007480	MDL: -
		MTL: -	

BALDOR ELECTRIC Co.

TYPE C, DV, FIX, 4 LEADS

CD0121