

**BALDOR • RELIANCE**

---

# Customer information packet

## LPL50

.5HP, 3450RPM, 1PH, 60HZ, 3520S, DENTAL LATHE

## Specifications

Enclosure	TENV
Frame Material	Steel
Frequency	60.00 Hz 60.00 Hz
Motor Letter Type	Split Phase
Nameplate Output	.5
Number of Poles	2 2
Output @ Frequency	.500 HP @ 60 HZ
Phase	1 1
Product Style	BUFFER
Speed	3450 rpm 3450 rpm
Synchronous Speed @ Frequency	3600 RPM @ 60 HZ
Voltage	115 V
Voltage @ Frequency	115.0 V @ 60 HZ
Agency Approvals	UR
Ambient Temperature	40 °C
Base Indicator	Rigid
Bearing Grease Type	Polyrex EM (-20F +300F)
Current @ Voltage	5.400 A @ 115.0 V
Duty Rating	CONT
Feedback Device	NO FEEDBACK
Insulation Class	B
KVA Code	-
Motor Lead Quantity/Wire Size	2 @ 18 AWG
Motor Standards	Other
Motor Type	3520S
Mounting Arrangement	F1
Overall Length	14.38 IN
Product Family	Dental Lathe

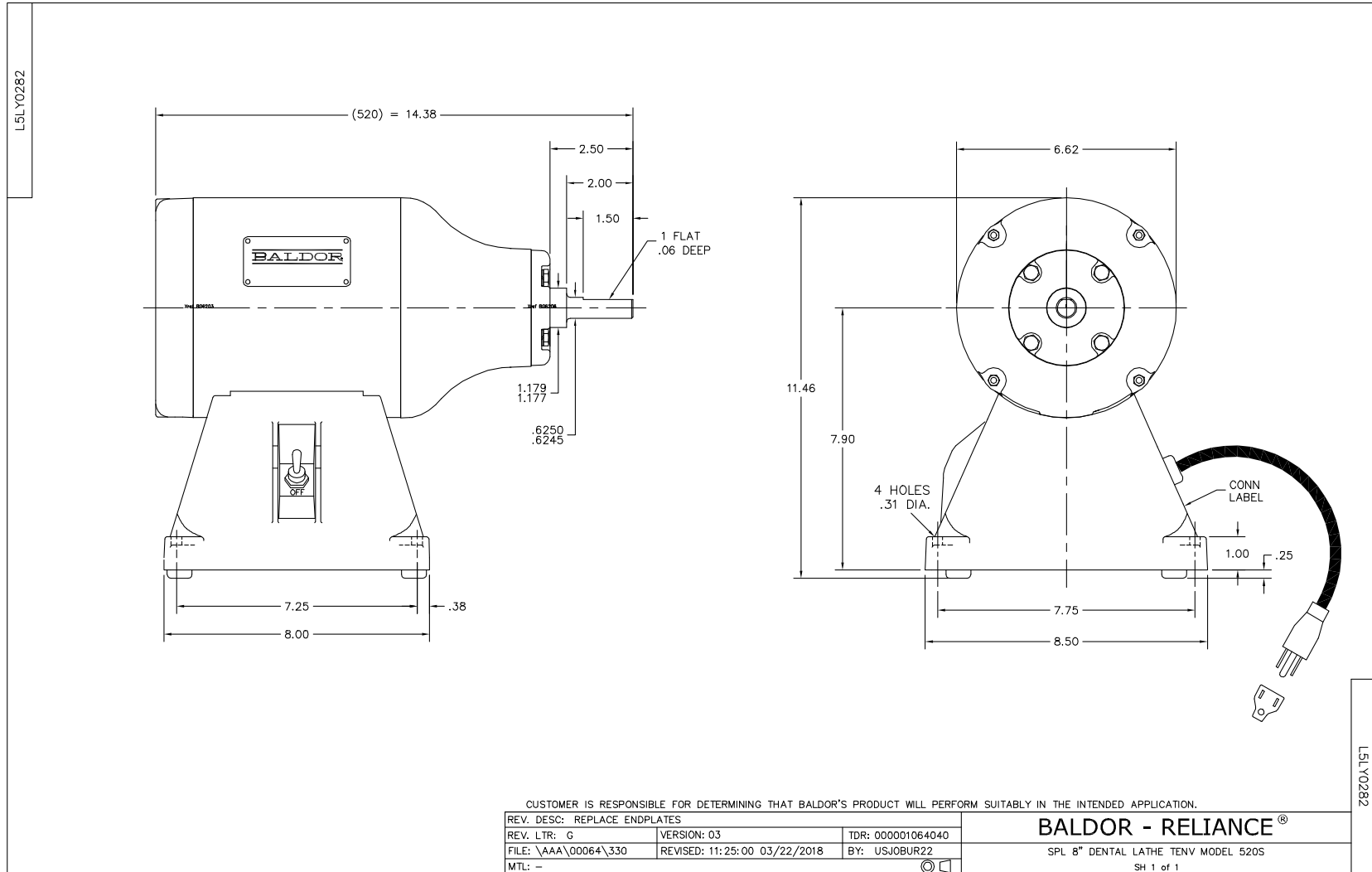
## Part detail

Revision	BB
Type	AC
Mech. spec.	L35-282
Base	
Status	PRD/A
Elec. spec.	L5WG0025
Layout	L5LY0282
Eff. date	07-27-2022
CD Diagram	CD0337
Poles	02
Leads	2#18
Proprietary	False
Created date	08-08-2007

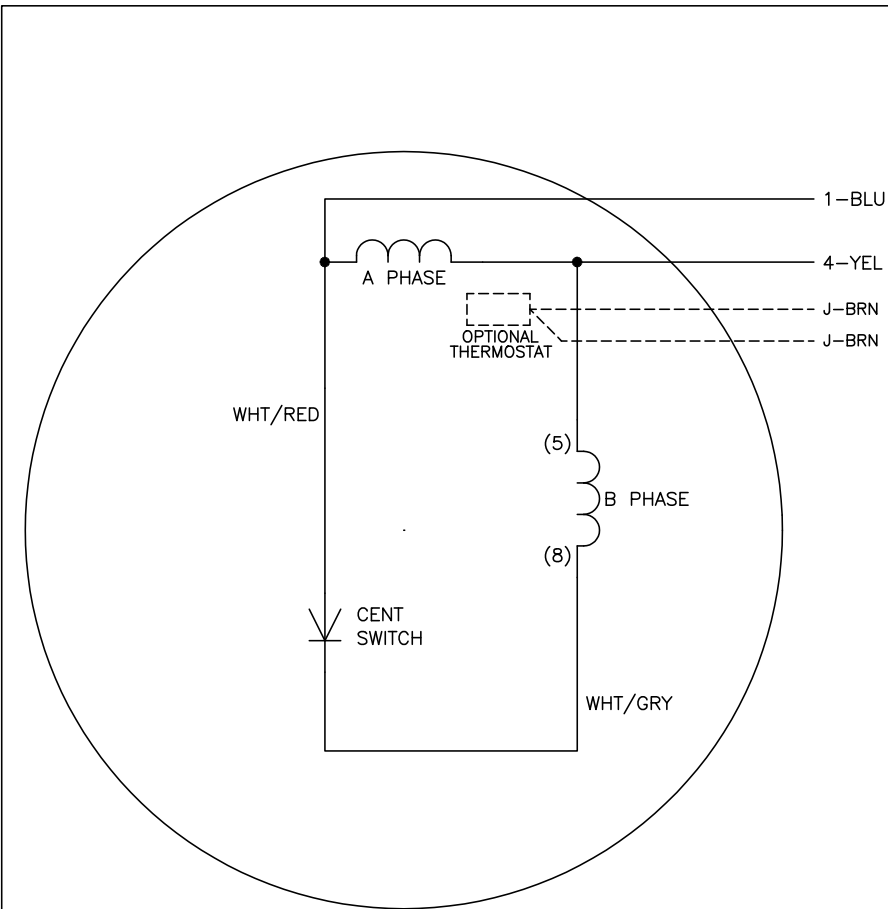
<b>Service Factor</b>	1.00
<b>Shaft Extension Location</b>	Pulley End
<b>Shaft Rotation</b>	Fixed Opposite Standard
<b>Shaft Slinger Indicator</b>	No Slinger
<b>Speed Code</b>	Single Speed
<b>Starting Method</b>	Direct on line
<b>Thermal Device - Winding</b>	None

**Nameplate**

<b>NP3352L</b>			
<b>CAT.NO.</b>	LPL50		
<b>HP</b>	.5	<b>VOLTS</b>	115
<b>PHASE</b>	1	<b>AMPS</b>	5.4
<b>HZ</b>	60	<b>RPM</b>	3450
<b>SER.NO</b>			
<b>SPEC.</b>	L35-282-25		
<b>BLANK</b>			



CD0337



LINE A	LINE B
1	4

**NOTES:**

1. CONNECTIONS ARE SHOWN FOR CCW ROTATION FACING END OPPOSITE SHAFT EXTENSION (STD). FOR CW ROTATION, INTERCHANGE 5 AND 8 INTERNALLY.
2. OPTIONAL THERMOSTAT IS PROVIDED WHEN SPECIFIED.
3. LEAD COLORS ARE OPTIONAL. LEADS MUST ALWAYS BE NUMBERED AS SHOWN.

CD0337

REV. DESC: ADD OPTIONAL LEAD COLORS			
REV. LTR: F	BY: JLP	REVISED: 11/15/00 10:25	TDR: 0225139
CD0337		FILE: AAA00007587	REF: -
		MTL: -	

**BALDOR ELECTRIC Co.**

TYPE S, SV, FIX, 2 LEAD