



---

# Customer information packet

## L3605

2HP, 1725RPM, 1PH, 60HZ, 184, 3628L, TEFC, F1

Class - None

Division - Not Applicable

## Specifications

Enclosure	TEFC
Frame	184
Frame Material	Steel
Frequency	60.00 Hz
Motor Letter Type	Cap Start, Induction Run
Output @ Frequency	2.000 HP @ 60 HZ
Phase	1
Synchronous Speed @ Frequency	1800 RPM @ 60 HZ
Voltage @ Frequency	115.0 V @ 60 HZ 230.0 V @ 60 HZ
XP Class and Group	None
XP Division	Not Applicable
Agency Approvals	CSA UR
Ambient Temperature	40 °C
Auxillary Box	No Auxillary Box
Auxillary Box Lead Termination	None
Base Indicator	Rigid
Bearing Grease Type	Polyrex EM (-20F +300F)
Blower	None
Current @ Voltage	23.000 A @ 115.0 V 11.700 A @ 208.0 V 11.500 A @ 230.0 V
Design Code	L
Drip Cover	No Drip Cover
Duty Rating	CONT
Efficiency @ 100% Load	75.5 %
Electrically Isolated Bearing	Not Electrically Isolated
Feedback Device	NO FEEDBACK
Front Face Code	Standard
Front Shaft Indicator	None
Heater Indicator	No Heater

## Part detail

Revision	Z
Type	AC
Mech. spec.	36C011
Base	
Status	PRD/A
Elec. spec.	36WGW223
Layout	36LYC011
Eff. date	01-23-2020
CD Diagram	CD0001
Poles	04
Leads	4#14 A PH,2#16 B PH
Proprietary	False
Created date	01-01-0001

High Voltage Full Load Amps	11.5 a
Insulation Class	F
Inverter Code	Not Inverter
KVA Code	H
Lifting Lugs	No Lifting Lugs
Locked Bearing Indicator	No Locked Bearing
Motor Lead Exit	Ko Box
Motor Lead Quantity/Wire Size	4 @ 14 AWG, A PH
Motor Lead Termination	Flying Leads
Motor Standards	NEMA
Motor Type	3628L
Mounting Arrangement	F1
Number of Poles	4
Overall Length	15.69 IN
Power Factor	74
Product Family	General Purpose
Pulley End Bearing Type	Ball
Pulley Face Code	Standard
Pulley Shaft Indicator	Standard
Rodent Screen	None
Service Factor	1.15
Shaft Diameter	0.875 IN
Shaft Extension Location	Pulley End
Shaft Ground Indicator	No Shaft Grounding
Shaft Rotation	Reversible
Shaft Slinger Indicator	No Slinger
Speed	1725 rpm
Speed Code	Single Speed
Starting Method	Direct on line
Thermal Device - Bearing	None
Thermal Device - Winding	None
Vibration Sensor Indicator	No Vibration Sensor
Winding Thermal 1	None
Winding Thermal 2	None

**Nameplate**

NP1256L									
<b>CAT.NO.</b>	L3605								
<b>SPEC.</b>	36C11W223								
<b>HP</b>	2								
<b>VOLTS</b>	115/230								
<b>AMP</b>	23/11.5								
<b>RPM</b>	1725								
<b>FRAME</b>	184		<b>HZ</b>	60		<b>PH</b>	1		
<b>SER.F.</b>	1.15	<b>CODE</b>	H	<b>DES</b>	L	<b>CLASS</b>	F		
<b>NEMA-NOM-EFF</b>	75.5	<b>PF</b>	74						
<b>RATING</b>	40C AMB-CONT								
<b>CC</b>			<b>USABLE AT 208V</b>				11.7		
<b>DE</b>	6206		<b>ODE</b>	6205					
<b>ENCL</b>	TEFC	<b>SN</b>							

**Accessories**

<b>Part number</b>	<b>Description</b>	<b>Multiplier</b>
36-1037	C FACE KIT	A8
36EP1304A62SP	FLANGE MTD ENDPLATE 182-4TD -ENCL (LESS	A8

**AC Induction Motor Performance Data**

Record # 61411

Typical performance - not guaranteed values

Winding: 36WGW223-R004		Type: 3628L	Enclosure: TEFC
<b>Nameplate Data</b>		<b>115 V, 60 Hz: Low Voltage Connection</b>	
Rated Output (HP)	2	Full Load Torque	6 LB-FT
Volts	115/230	Start Configuration	direct on line
Full Load Amps	23/11.5	Breakdown Torque	17.4 LB-FT
R.P.M.	1725	Pull-up Torque	11.4 LB-FT
Hz	60 Phase	Locked-rotor Torque	14.4 LB-FT
NEMA Design Code	L KVA Code	Starting Current	142 A
Service Factor (S.F.)	1.15	No-load Current	14.2 A
NEMA Nom. Eff.	75.5 Power Factor	Line-line Res. @ 25°C	0.239 Ω A Ph 1.14 Ω B Ph
Rating - Duty	40C AMB-CONT	Temp. Rise @ Rated Load	75°C
S.F. Amps		Temp. Rise @ S.F. Load	88°C
		Locked-rotor Power Factor	83.9
		Rotor inertia	0.263 LB-FT <sup>2</sup>

**Load Characteristics 115 V, 60 Hz, 2 HP**

% of Rated Load	25	50	75	100	125	150	S.F.
Power Factor	36	54	67	74	79	82	77
Efficiency	61	73	75	75.5	74	73	74.6
Speed	1788	1775	1760	1745	1730	1712	1736
Line amperes	15	16.8	19.6	23	27.4	31.6	25.6

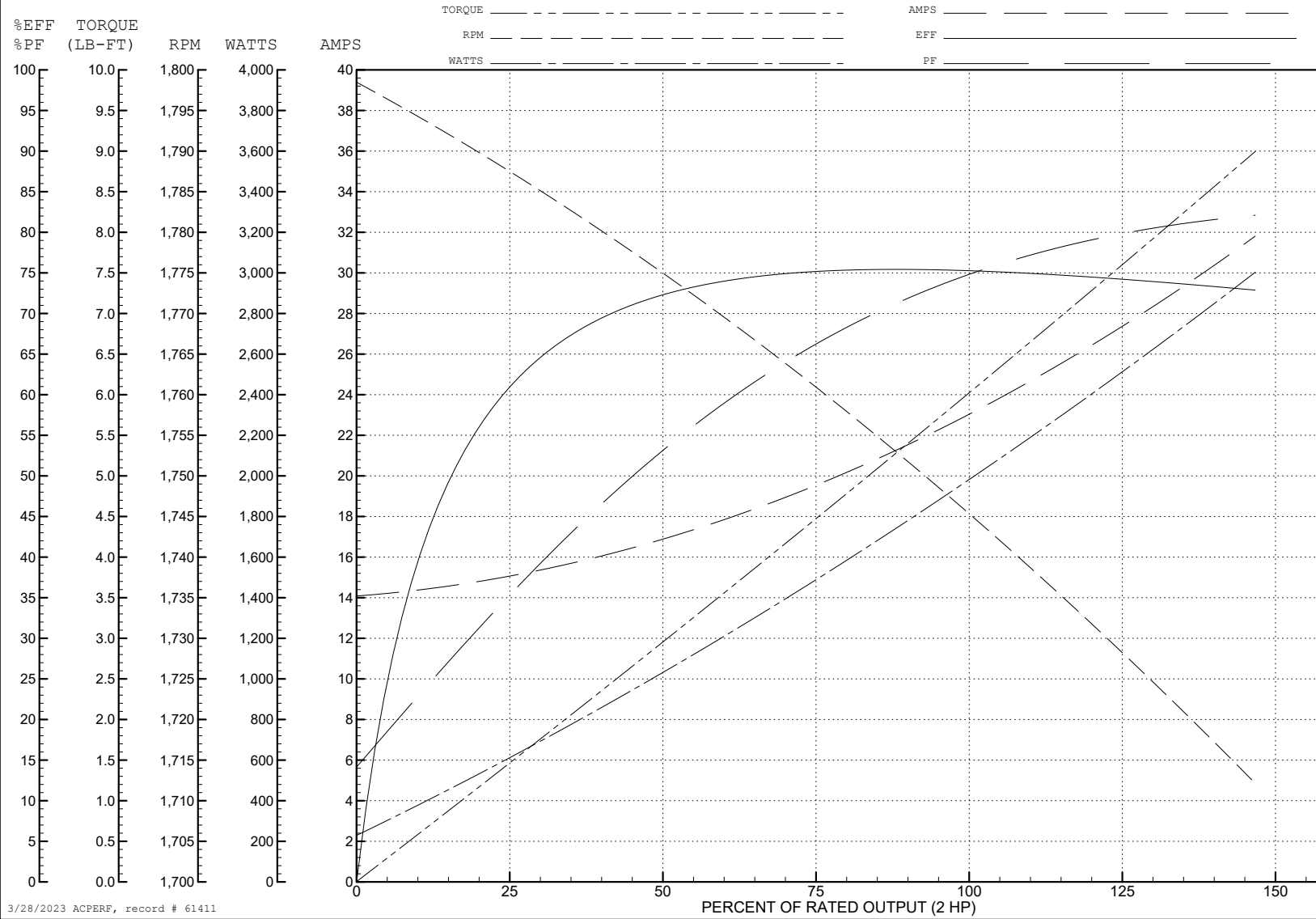
ABB Motors and Mechanical Inc.

WINDING # 36WGW223

Typical performance - not guaranteed values.

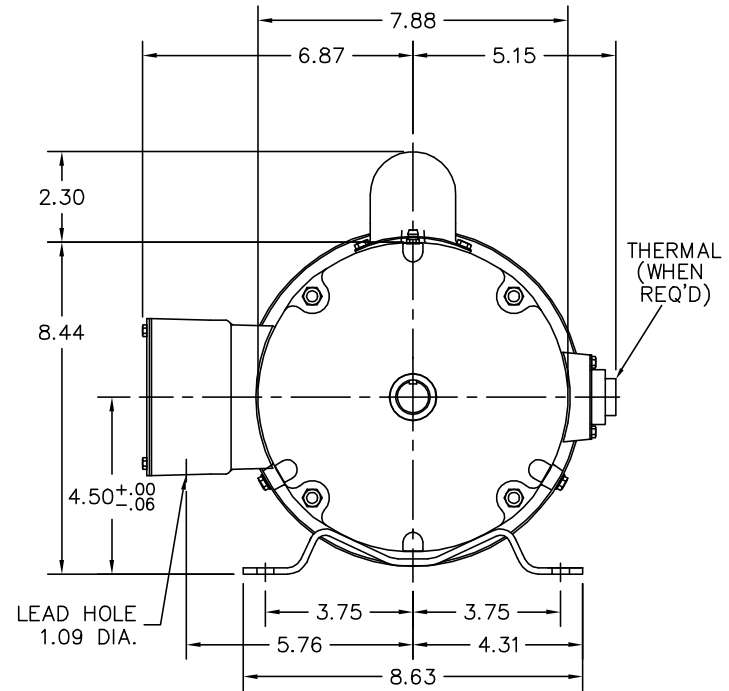
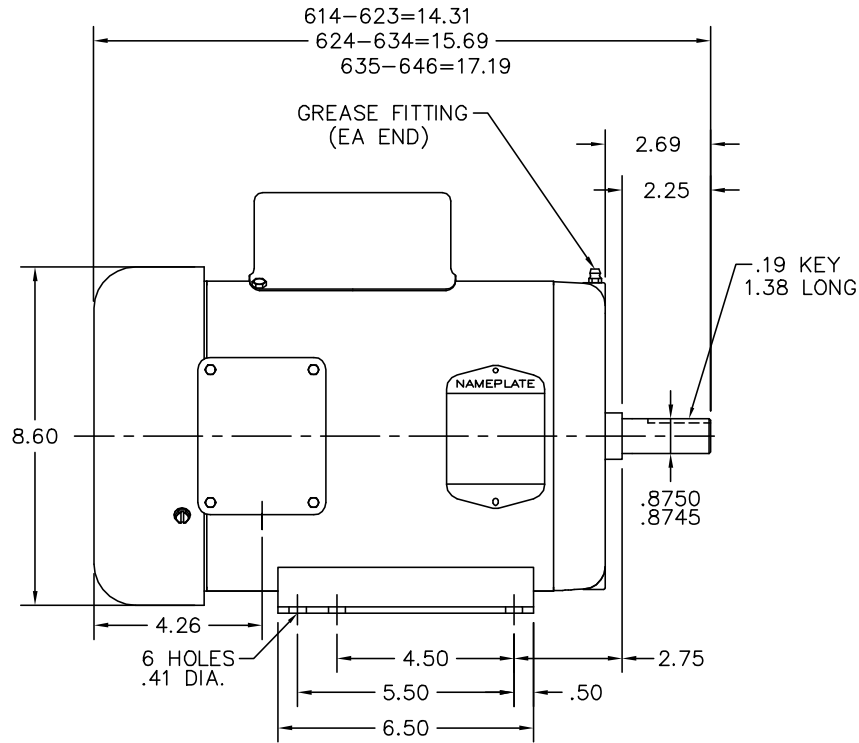
2 HP 1 PH 60 HZ 1725 RPM 115 V 3628L

TORQUES (LB-FT): PO=17.4 PU=11.4 LR=14.4 LRA=142



3/28/2023 ACPERF, record # 61411

36LYC011



CUSTOMER IS RESPONSIBLE FOR DETERMINING THAT MOTOR PERFORMANCE IS SUITABLE IN THE APPLICATION.

REV. DESC: FREEZE LINES SHOWING THROUGH CAPACITOR/KO BOX		
REV. LTR: F	VERSION: 02	TDR: 00000384004
11001795	FILE: \AAA\00003\196	REVISED: 15:55:18 12/22/2005
	MTL: -	BY: ENCHRCO

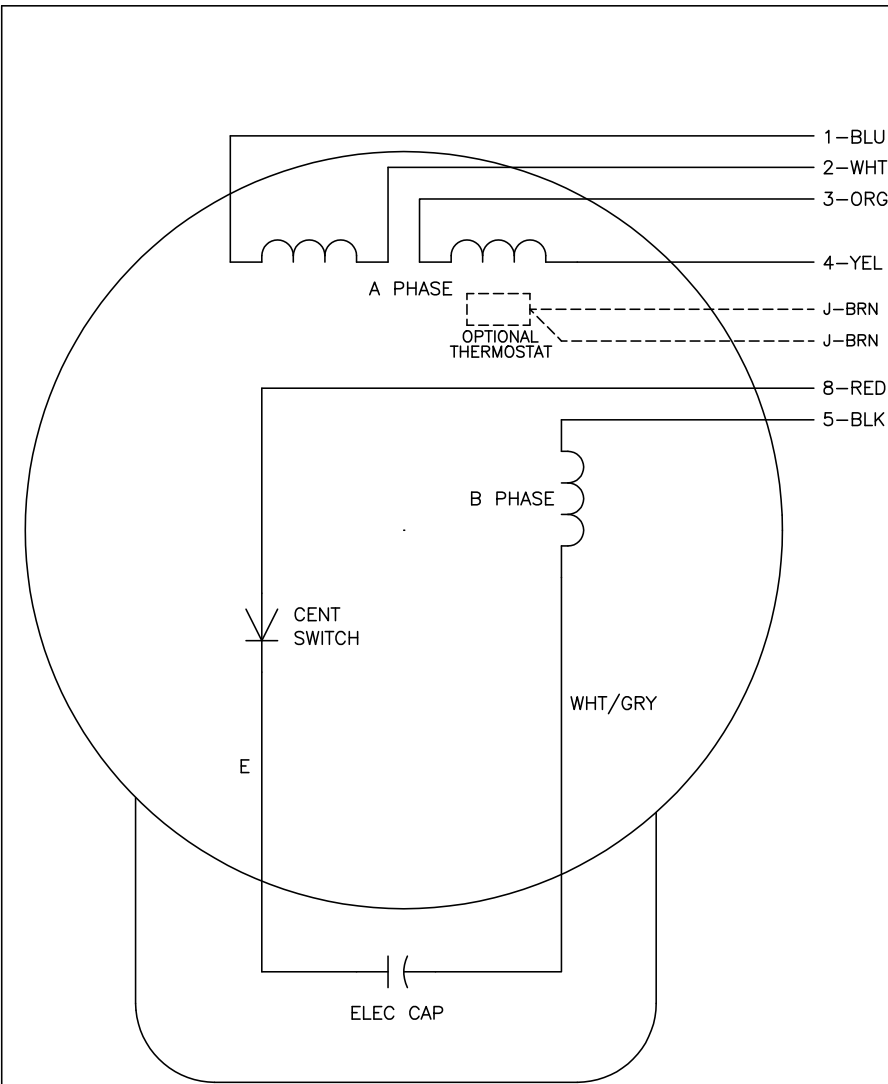
**BALDOR ELECTRIC Co.**

STD HORZ 182-4 TEFC 36L

36LYC011



CD0001



	LINE A	LINE B	JOIN
HIGH STD	1	4,5	2,3,8
HIGH OPP	1	4,8	2,3,5
LOW STD	1,3,8	2,4,5	-
LOW OPP	1,3,5	2,4,8	-

**NOTES:**

1. STANDARD ROTATION IS CCW FACING END OPPOSITE SHAFT EXTENSION.
2. OPTIONAL THERMOSTAT IS PROVIDED WHEN SPECIFIED.
3. MULTIPLE CAPACITORS ARE CONNECTED IN PARALLEL UNLESS OTHERWISE SPECIFIED.
4. LEAD COLORS ARE OPTIONAL. LEADS MUST ALWAYS BE NUMBERED AS SHOWN.

REV. DESC: REVISE TO SHOW OPTIONAL COLORS			
REV. LTR: D	BY: JLP	REVISED: 04/08/99 1:16	TDR: 0178636
100000		FILE: AAA00007405	MDL: -
		MTL: -	

**BALDOR ELECTRIC Co.**

TYPE L, DV, REV, 6 LEADS

CD0001