

**BALDOR • RELIANCE**

---

# Customer information packet

## L3514

1.5HP, 1725RPM, 1PH, 60HZ, 56H, 3532LC, TEFC, F

Class - None

Division - Not Applicable

Copyright © All product information within this document is subject to ABB Motors and Mechanical Inc. copyright © protection, unless otherwise noted.

6/18/2026 6:01:26 AM

## Specifications

Enclosure	TEFC
Frame	56H
Frame Material	Steel
Frequency	60.00 Hz
Haz Area Class and Group	None
Haz Area Division	Not Applicable
Motor Letter Type	Cap Start, Cap Run
Output @ Frequency	1.500 HP @ 60 HZ
Phase	1
Synchronous Speed @ Frequency	1800 RPM @ 60 HZ
Voltage @ Frequency	115.0 V @ 60 HZ 230.0 V @ 60 HZ
Agency Approvals	C UR US
Ambient Temperature	40 °C
Auxiliary Box	NO AUXILLARY BOX
Auxiliary Box Lead Termination	None
Base Indicator	Rigid
Bearing Grease Type	Polyrex EM (-20F +300F)
Blower	None
Current @ Voltage	12.200 A @ 115.0 V 6.100 A @ 230.0 V
Design Code	L
Drip Cover	No Drip Cover
Duty Rating	CONT
Efficiency @ 100% Load	80.0 %
Electrically Isolated Bearing	Not Electrically Isolated
Feedback Device	NO FEEDBACK
Front Shaft Indicator	None
Heater Indicator	No Heater
High Voltage Full Load Amps	6.1 a
Insulation Class	F
Inverter Code	Not Inverter

## Part detail

Revision	L
Type	AC
Mech. spec.	35J385
Base	
Status	PRD/A
Elec. spec.	35WGG242
Layout	35LYJ385
Eff. date	06-15-2026
CD Diagram	CD0055
Poles	04
Leads	6#18
Proprietary	False
Created date	08-01-2022

<b>KVA Code</b>	H
<b>Lifting Lugs</b>	No Lifting Lugs
<b>Locked Bearing Indicator</b>	No Locked Bearing
<b>Motor Lead Quantity/Wire Size</b>	6 @ 18 AWG
<b>Motor Lead Termination</b>	Flying Leads
<b>Motor Standards</b>	NEMA
<b>Motor Type</b>	3532LC
<b>Mounting Arrangement</b>	F1
<b>Number of Poles</b>	4
<b>Overall Length</b>	13.81 IN
<b>Power Factor</b>	98
<b>Product Family</b>	General Purpose
<b>Pulley End Bearing Type</b>	Ball
<b>Pulley Face Code</b>	Standard
<b>Pulley Shaft Indicator</b>	Standard
<b>Rodent Screen</b>	None
<b>Service Factor</b>	1.15
<b>Shaft Diameter</b>	0.625 IN
<b>Shaft Ground Indicator</b>	No Shaft Grounding
<b>Shaft Rotation</b>	Reversible
<b>Shaft Slinger Indicator</b>	No Slinger
<b>Speed</b>	1725 rpm
<b>Speed Code</b>	Single Speed
<b>Starting Method</b>	Direct on line
<b>Thermal Device - Bearing</b>	None
<b>Thermal Device - Winding</b>	None
<b>Vibration Sensor Indicator</b>	No Vibration Sensor
<b>Winding Thermal 1</b>	None
<b>Winding Thermal 2</b>	None

**Nameplate**

NP1256L									
<b>CAT.NO.</b>	L3514								
<b>SPEC.</b>	35J385G242								
<b>HP</b>	1.5								
<b>VOLTS</b>	115/230								
<b>AMP</b>	12.2/6.1								
<b>RPM</b>	1725								
<b>FRAME</b>	56H		<b>HZ</b>	60		<b>PH</b>	1		
<b>SER.F.</b>	1.15	<b>CODE</b>	H	<b>DES</b>	L	<b>CLASS</b>	F		
<b>NEMA-NOM-EFF</b>	80	<b>PF</b>	98						
<b>RATING</b>	40C AMB-CONT								
<b>CC</b>									
<b>DE</b>	6205		<b>ODE</b>	6203					
<b>ENCL</b>	TEFC	<b>SN</b>							

**Accessories**

<b>Part number</b>	<b>Description</b>	<b>Multiplier</b>
35-8762	C FACE KIT	A8
35EP1506A01SP	D-FLANGE KIT	A8

**AC Induction Motor Performance Data**

Record # 105134

Typical performance - not guaranteed values

Winding: 35WGG242-R001		Type: 3532LC		Enclosure: TEFC		
<b>Nameplate Data</b>			<b>115 V, 60 Hz: Low Voltage Connection</b>			
Rated Output (HP)	1.5		Full Load Torque	4.57 LB-FT		
Volts	115/230		Start Configuration	direct on line		
Full Load Amps	12.2/6.1		Breakdown Torque	9.9 LB-FT		
R.P.M.	1725		Pull-up Torque	8.1 LB-FT		
Hz	60	Phase	1	Locked-rotor Torque	13 LB-FT	
NEMA Design Code	L		KVA Code	H	Starting Current	88 A
Service Factor (S.F.)	1.15		No-load Current	1.68 A		
NEMA Nom. Eff.	80	Power Factor	98	Line-line Res. @ 25°C	0.517 Ω A Ph 1.32 Ω B Ph	
Rating - Duty	40C AMB-CONT		Temp. Rise @ Rated Load	61°C		
S.F. Amps			Temp. Rise @ S.F. Load	76°C		
			Locked-rotor Power Factor	91.9		
			Rotor inertia	0.232 lb-ft <sup>2</sup>		

**Load Characteristics 115 V, 60 Hz, 1.5 HP**

% of Rated Load	25	50	75	100	125	150	S.F.
Power Factor	94	98	98	98	97	96	97
Efficiency	71.4	82.4	84	82.2	77.7	70.5	79.5
Speed	1782	1765	1746	1723	1690	1642	1703
Line amperes	3.54	6.02	8.84	12.06	16.08	21.4	14.5

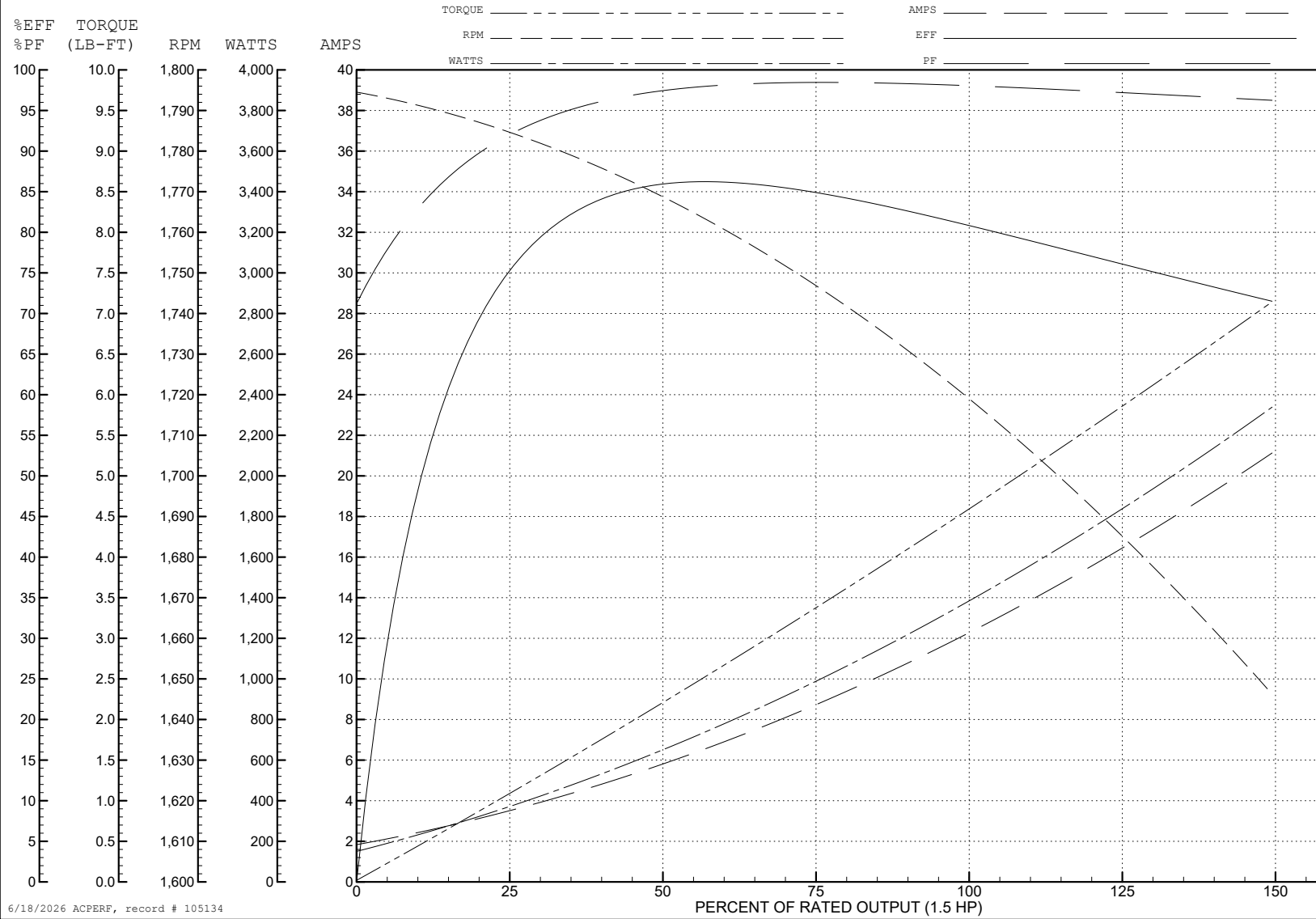
ABB Motors and Mechanical Inc.

WINDING # 35WGG242

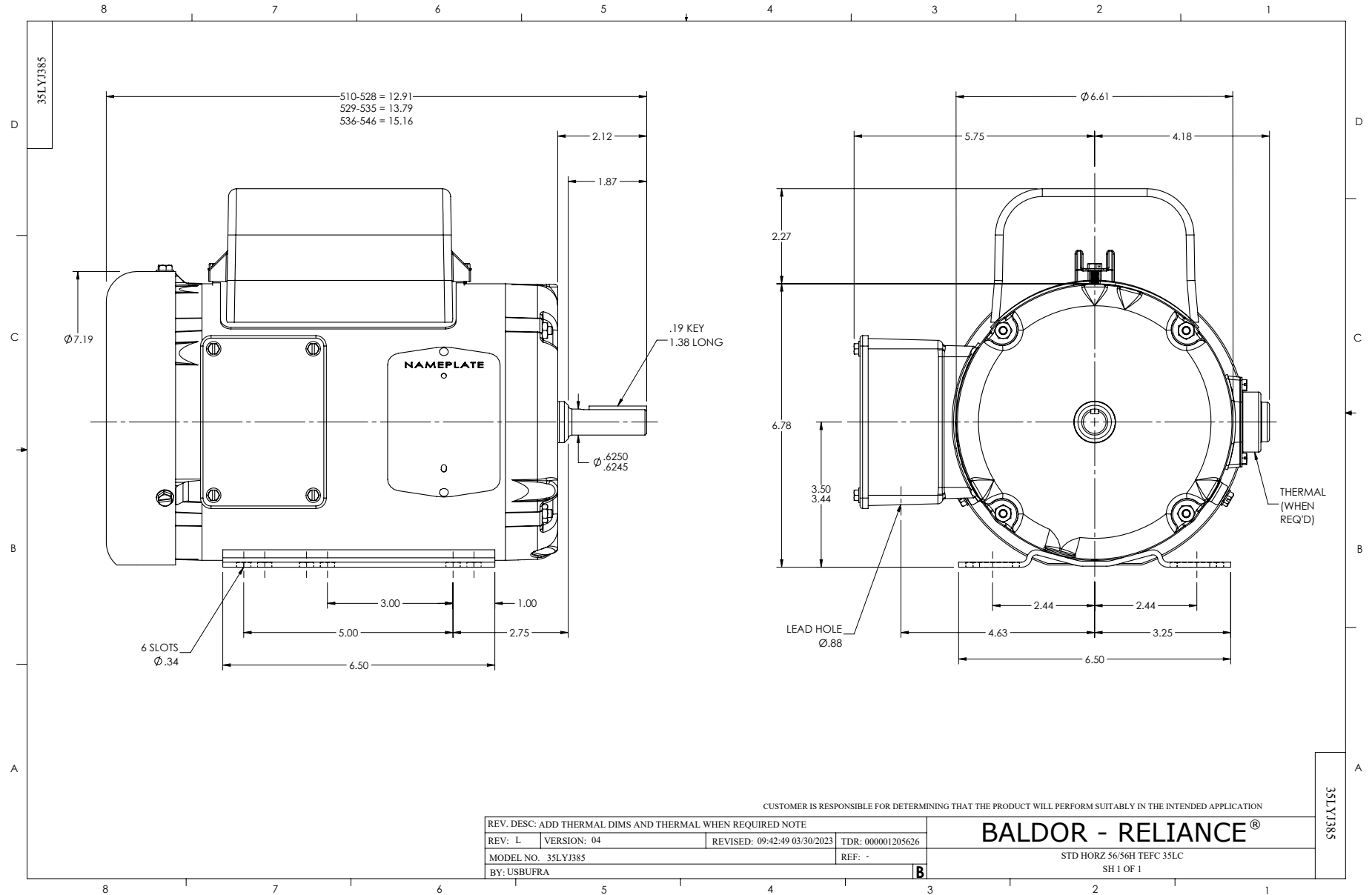
Typical performance - not guaranteed values.

1.5 HP 1 PH 60 HZ 1725 RPM 115 V 3532LC

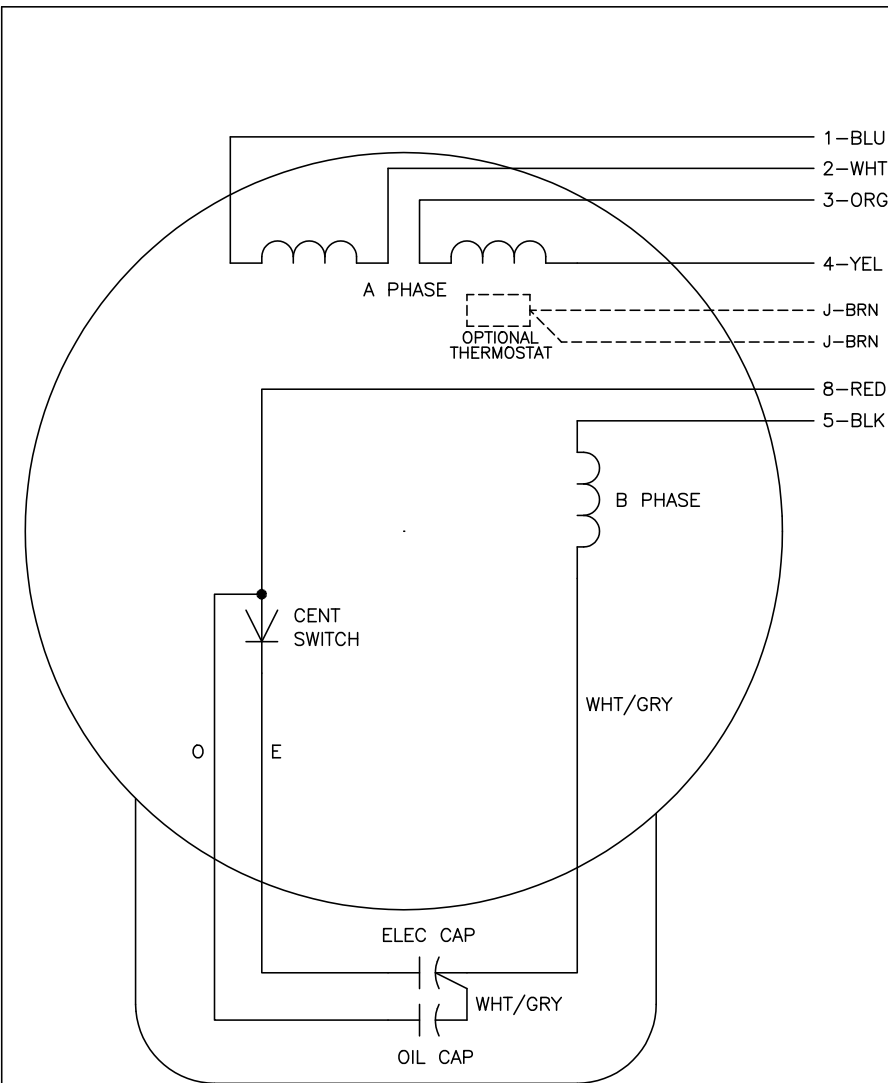
TORQUES (LB-FT): PO=9.9 PU=8.1 LR=13 LRA=88



6/18/2026 ACPERF, record # 105134



CD0055



	LINE A	LINE B	JOIN
HIGH STD	1	4,5	2,3,8
HIGH OPP	1	4,8	2,3,5
LOW STD	1,3,8	2,4,5	-
LOW OPP	1,3,5	2,4,8	-

NOTES:

1. STANDARD ROTATION IS CCW FACING END OPPOSITE SHAFT EXTENSION.
2. OPTIONAL THERMOSTAT IS PROVIDED WHEN SPECIFIED.
3. MULTIPLE CAPACITORS ARE CONNECTED IN PARALLEL UNLESS OTHERWISE SPECIFIED.
4. LEAD COLORS ARE OPTIONAL. LEADS MUST ALWAYS BE NUMBERED AS SHOWN.

REV. DESC: REVISE TO SHOW OPTIONAL COLORS			
REV. LTR: D	BY: JLP	REVISED: 04/08/99 1:17	TDR: 0178636
C00000		FILE: AAA00007414	MDL: -
		MTL: -	

**BALDOR ELECTRIC Co.**

TYPE LC, DV, REV, 6 LEADS

CD0055