



---

# Customer information packet

## L3507A

.75HP, 1725RPM, 1PH, 60HZ, 56, 3428LC, TEFC, F1

Class - None

Division - Not Applicable

## Specifications

Enclosure	TEFC
Frame	56
Frame Material	Steel
Frequency	60.00 Hz
Haz Area Class and Group	None
Haz Area Division	Not Applicable
Motor Letter Type	Cap Start, Cap Run
Output @ Frequency	.750 HP @ 60 HZ
Phase	1
Synchronous Speed @ Frequency	1800 RPM @ 60 HZ
Voltage @ Frequency	115.0 V @ 60 HZ 230.0 V @ 60 HZ
Agency Approvals	UR CSA
Ambient Temperature	40 °C
Auxillary Box	No Auxillary Box
Auxillary Box Lead Termination	None
Base Indicator	Rigid
Bearing Grease Type	Polyrex EM (-20F +300F)
Blower	None
Current @ Voltage	4.100 A @ 230.0 V 5.400 A @ 208.0 V 8.200 A @ 115.0 V
Design Code	N
Drip Cover	No Drip Cover
Duty Rating	CONT
Efficiency @ 100% Load	74.0 %
Electrically Isolated Bearing	Not Electrically Isolated
Feedback Device	NO FEEDBACK
Front Face Code	Standard
Front Shaft Indicator	None
Heater Indicator	No Heater

## Part detail

Revision	X
Type	AC
Mech. spec.	34G426
Base	
Status	PRD/A
Elec. spec.	34WGW998
Layout	34LYG426
Eff. date	09-18-2023
CD Diagram	CD0320
Poles	04
Leads	6#18,1#16 #4TH
Proprietary	False
Created date	01-01-0001

High Voltage Full Load Amps	4.1 a
Insulation Class	B
Inverter Code	Not Inverter
KVA Code	L
Lifting Lugs	No Lifting Lugs
Locked Bearing Indicator	No Locked Bearing
Motor Lead Exit	Ko Box
Motor Lead Quantity/Wire Size	6 @ 18 AWG
Motor Lead Termination	Flying Leads
Motor Standards	NEMA
Motor Type	3428LC
Mounting Arrangement	F1
Number of Poles	4
Overall Length	12.47 IN
Power Factor	80
Product Family	General Purpose
Pulley End Bearing Type	Ball
Pulley Face Code	Standard
Pulley Shaft Indicator	Standard
Rodent Screen	None
RoHS Status	ROHS COMPLIANT
Service Factor	1.25
Shaft Diameter	0.625 IN
Shaft Extension Location	Pulley End
Shaft Ground Indicator	No Shaft Grounding
Shaft Rotation	Reversible
Shaft Slinger Indicator	No Slinger
Speed	1725 rpm
Speed Code	Single Speed
Starting Method	Direct on line
Thermal Device - Bearing	None
Thermal Device - Winding	None
Vibration Sensor Indicator	No Vibration Sensor
Winding Thermal 1	Automatic Thermal Overload

**Winding Thermal 1 Location**

**SB**

**Winding Thermal 2**

**None**

---

**Nameplate**

<b>NP1257L</b>									
<b>CAT.NO.</b>	L3507A								
<b>SPEC.</b>	34G426W998								
<b>HP</b>	.75								
<b>VOLTS</b>	115/230								
<b>AMP</b>	8.2/4.1								
<b>RPM</b>	1725								
<b>FRAME</b>	56			<b>HZ</b>	60		<b>PH</b>	1	
<b>SER.F.</b>	1.25	<b>CODE</b>	L	<b>DES</b>	N	<b>CL</b>	B		
<b>NEMA-NOM-EFF</b>	74	<b>PF</b>	80						
<b>RATING</b>	40C AMB-CONT								
<b>CC</b>									
<b>DE</b>	6203	<b>ODE</b>	6203						
<b>ENCL</b>	TEFC	<b>SN</b>							
	SFA 9.8/4.9								

**Accessories**

<b>Part number</b>	<b>Description</b>	<b>Multiplier</b>
34-171	C FACE KIT	A8

**AC Induction Motor Performance Data**

Record # 7176

Typical performance - not guaranteed values

<b>Winding: 34WGW998-R001</b>		<b>Type: 3428LC</b>		<b>Enclosure: TEFC</b>	
<b>Nameplate Data</b>			<b>230 V, 60 Hz: High Voltage Connection</b>		
<b>Rated Output (HP)</b>	.75		<b>Full Load Torque</b>	2.25 LB-FT	
<b>Volts</b>	115/230		<b>Start Configuration</b>	direct on line	
<b>Full Load Amps</b>	8.2/4.1		<b>Breakdown Torque</b>	5.7 LB-FT	
<b>R.P.M.</b>	1725		<b>Pull-up Torque</b>	4.7 LB-FT	
<b>Hz</b>	<b>60 Phase</b>	1	<b>Locked-rotor Torque</b>	7.5 LB-FT	
<b>NEMA Design Code</b>	<b>N KVA Code</b>	L	<b>Starting Current</b>	31 A	
<b>Service Factor (S.F.)</b>	1.25		<b>No-load Current</b>	2.7 A	
<b>NEMA Nom. Eff.</b>	<b>74 Power Factor</b>	80	<b>Line-line Res. @ 25°C</b>	3.11 Ω A Ph 1.73 Ω B Ph	
<b>Rating - Duty</b>	40C AMB-CONT		<b>Temp. Rise @ Rated Load</b>	62°C	
<b>S.F. Amps</b>	9.8/4.9		<b>Temp. Rise @ S.F. Load</b>	81°C	

**Load Characteristics 230 V, 60 Hz, 0.75 HP**

<b>% of Rated Load</b>	<b>25</b>	<b>50</b>	<b>75</b>	<b>100</b>	<b>125</b>	<b>150</b>	<b>S.F.</b>
<b>Power Factor</b>	43	61	72	80	85	87	0
<b>Efficiency</b>	53.6	67.7	73	73.9	93.2	71.4	0
<b>Speed</b>	1784	1770	1755	1739	1717	1694	0
<b>Line amperes</b>	2.7	3	3.5	4.1	4.9	5.8	4.9

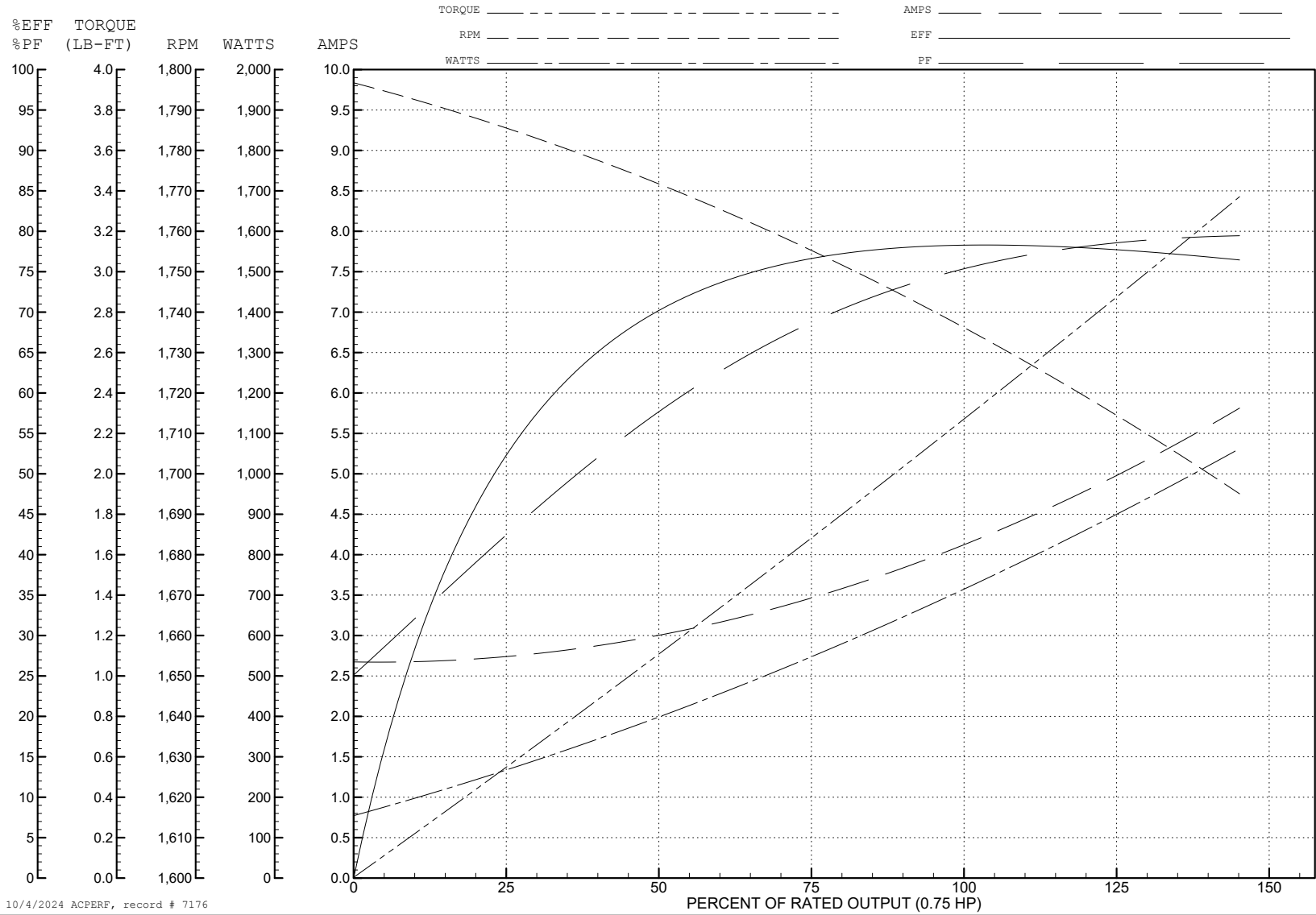
ABB Motors and Mechanical Inc.

WINDING # 34WGW998

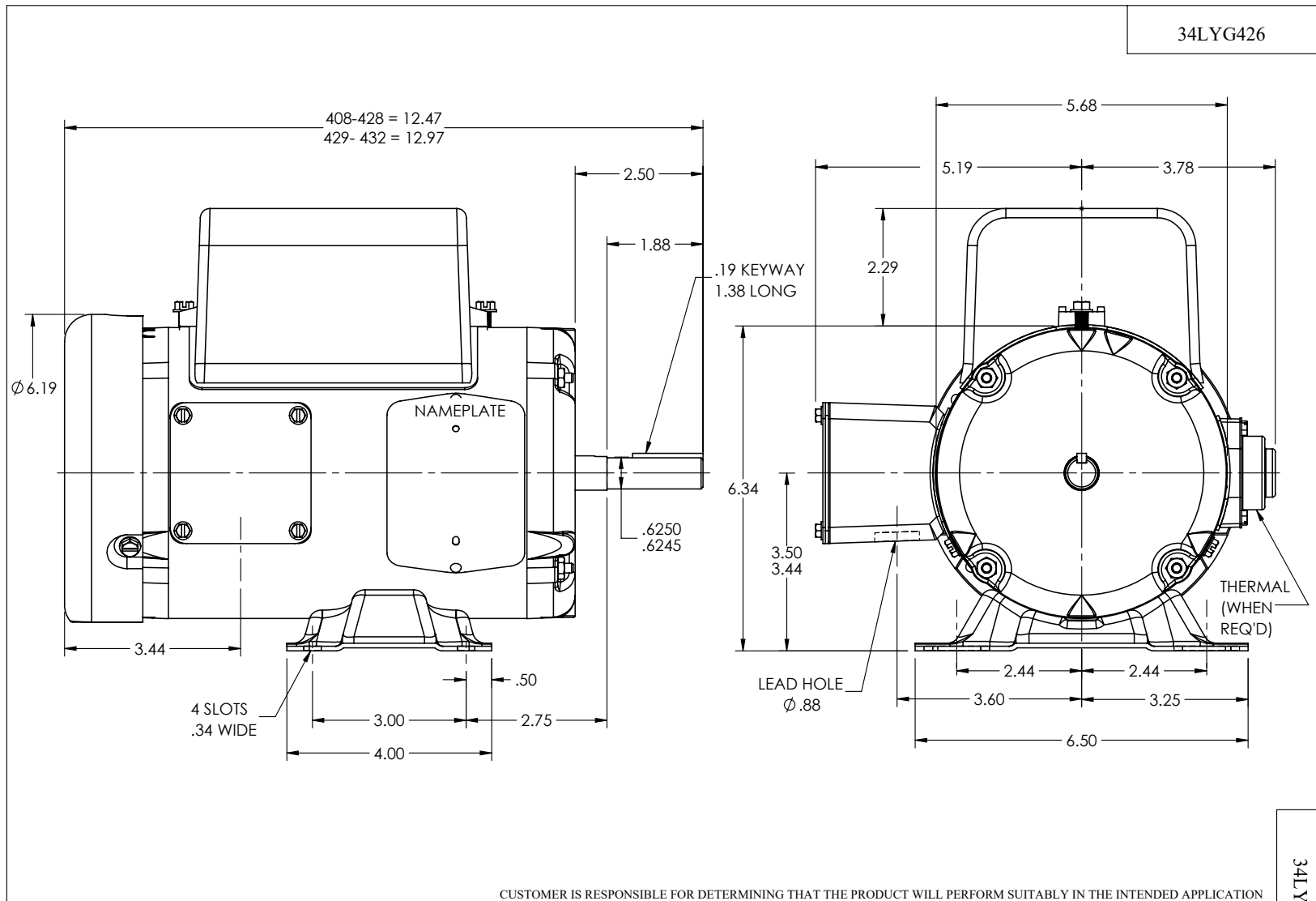
0.75 HP 1 PH 60 HZ 1725 RPM 230 V 3428LC

Typical performance - not guaranteed values.

TORQUES (LB-FT): PO=5.7 PU=4.7 LR=7.5 LRA=31







34LYG426

34LYG426

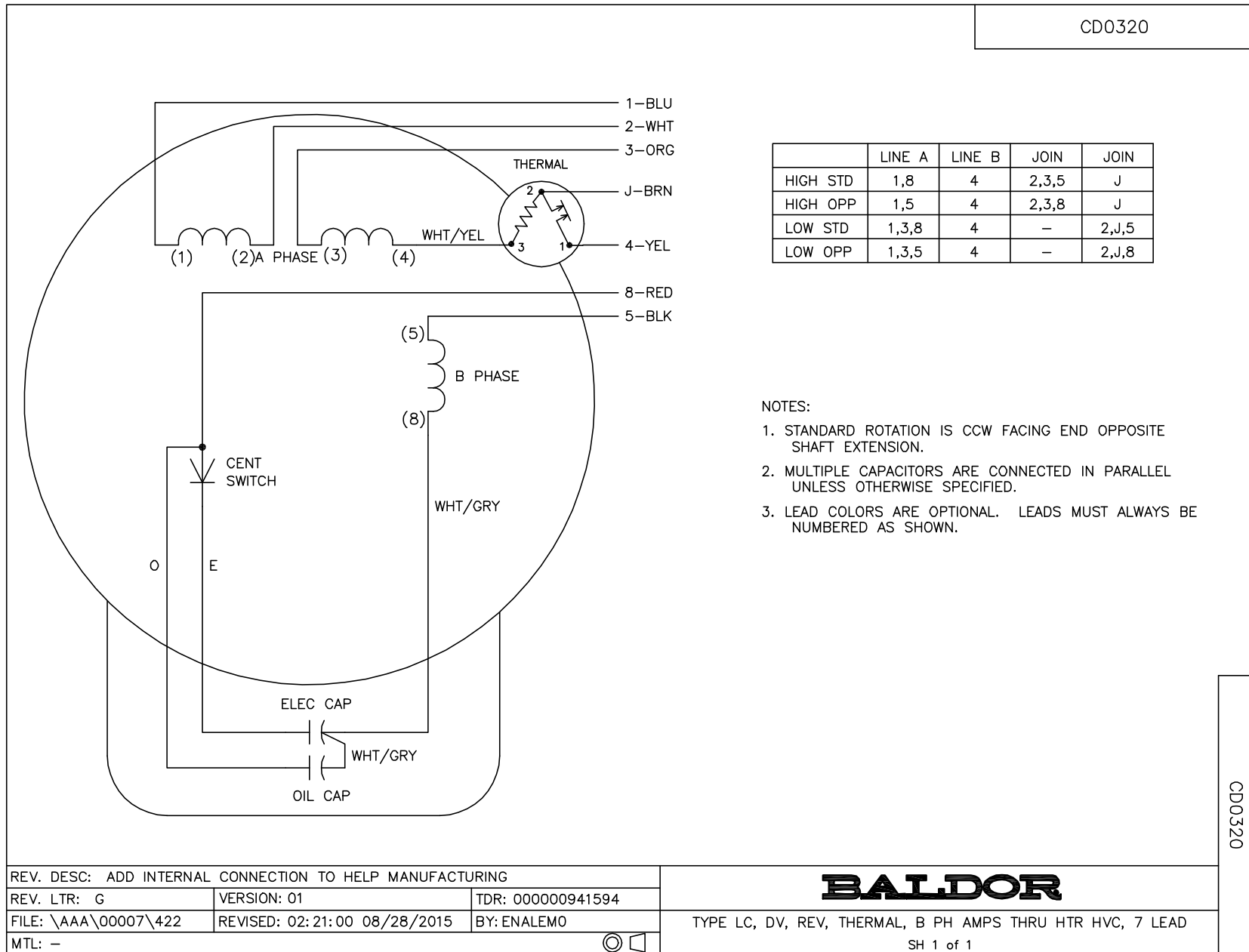
CUSTOMER IS RESPONSIBLE FOR DETERMINING THAT THE PRODUCT WILL PERFORM SUITABLY IN THE INTENDED APPLICATION

REV. DESC: LOAD TO SOLIDWORKS			
REV: C	VERSION: 02	REVISED: 04:08:09 08/09/2022	TDR: 000001194274
34LYG426	MODEL NO. 34LYG426		REF: -
	BY: ENFRAJ0		

**BALDOR - RELIANCE®**

SPL HORZ 34LC NEMA 56 TEFC

CD0320



CD0320

REV. DESC: ADD INTERNAL CONNECTION TO HELP MANUFACTURING		
REV. LTR: G	VERSION: 01	TDR: 00000941594
FILE: \AAA\00007\422	REVISED: 02:21:00 08/28/2015	BY: ENALEMO
MTL: -		© □

**BALDOR**

TYPE LC, DV, REV, THERMAL, B PH AMPS THRU HTR HVC, 7 LEAD  
SH 1 of 1