

ABB BALDOR RELIANCE III

Customer information packet L3506

.75HP, 3450RPM, 1PH, 60HZ, 56, 3424L, TEFC, F1

Class - None

Division - Not Applicable

Specifications

| | |
|---------------------------------------|---|
| Enclosure | TEFC |
| Frame | 56 |
| Frame Material | Steel |
| Frequency | 60.00 Hz |
| Haz Area Class and Group | None |
| Haz Area Division | Not Applicable |
| Motor Letter Type | Cap Start, Induction Run |
| Output @ Frequency | .750 HP @ 60 HZ |
| Phase | 1 |
| Synchronous Speed @ Frequency | 3600 RPM @ 60 HZ |
| Voltage @ Frequency | 115.0 V @ 60 HZ 230.0 V @ 60 HZ |
| Agency Approvals | C UR US |
| Ambient Temperature | 40 °C |
| Auxiliary Box | NO AUXILLARY BOX |
| Auxiliary Box Lead Termination | None |
| Base Indicator | Rigid |
| Bearing Grease Type | Polyrex EM (-20F +300F) |
| Blower | None |
| Current @ Voltage | 4.800 A @ 230.0 V 6.100 A @ 208.0 V 9.600 A @ 115.0 V |
| Design Code | N |
| Drip Cover | No Drip Cover |
| Duty Rating | CONT |
| Efficiency @ 100% Load | 66.0 % |
| Electrically Isolated Bearing | Not Electrically Isolated |
| Feedback Device | NO FEEDBACK |
| Front Face Code | Standard |
| Front Shaft Indicator | None |
| Heater Indicator | No Heater |
| High Voltage Full Load Amps | 4.8 a |

Part Detail

| | |
|---------------------|------------|
| Revision | AK |
| Type | AC |
| Mech. spec. | 34K042 |
| Base | |
| Status | PRD/A |
| Elec. spec. | 34WG3405 |
| Layout | 34LYK042 |
| Eff. date | 03-03-2026 |
| CD Diagram | CD0001 |
| Poles | 02 |
| Leads | 6#18 |
| Proprietary | False |
| Created date | 01-01-0001 |

| | |
|--------------------------------------|---------------------|
| Insulation Class | B |
| Inverter Code | Not Inverter |
| IP Rating | NONE |
| KVA Code | K |
| Lifting Lugs | No Lifting Lugs |
| Locked Bearing Indicator | No Locked Bearing |
| Motor Lead Exit | Ko Box |
| Motor Lead Quantity/Wire Size | 6 @ 18 AWG |
| Motor Lead Termination | Flying Leads |
| Motor Standards | NEMA |
| Motor Type | 3424L |
| Mounting Arrangement | F1 |
| Number of Poles | 2 |
| Overall Length | 11.97 IN |
| Power Factor | 74 |
| Product Family | General Purpose |
| Pulley End Bearing Type | Ball |
| Pulley Face Code | Standard |
| Pulley Shaft Indicator | Standard |
| Rodent Screen | None |
| Service Factor | 1.25 |
| Shaft Diameter | 0.625 IN |
| Shaft Extension Location | Pulley End |
| Shaft Ground Indicator | No Shaft Grounding |
| Shaft Rotation | Reversible |
| Shaft Slinger Indicator | No Slinger |
| Speed | 3450 rpm |
| Speed Code | Single Speed |
| Starting Method | Direct on line |
| Thermal Device - Bearing | None |
| Thermal Device - Winding | None |
| Vibration Sensor Indicator | No Vibration Sensor |
| Winding Thermal 1 | None |
| Winding Thermal 2 | None |

Nameplate

| NP1256L | | | | | | | | | | |
|---------------------|--------------|-------------|-----------|------------|---|--------------|---|--|--|--|
| CAT.NO. | L3506 | | | | | | | | | |
| SPEC. | 34K42-3405 | | | | | | | | | |
| HP | .75 | | | | | | | | | |
| VOLTS | 115/230 | | | | | | | | | |
| AMP | 9.6/4.8 | | | | | | | | | |
| RPM | 3450 | | | | | | | | | |
| FRAME | 56 | | HZ | 60 | | PH | 1 | | | |
| SER.F. | 1.25 | CODE | K | DES | N | CLASS | B | | | |
| NEMA-NOM-EFF | 66 | PF | 74 | | | | | | | |
| RATING | 40C AMB-CONT | | | | | | | | | |
| CC | | | | | | | | | | |
| DE | 6203 | ODE | 6203 | | | | | | | |
| ENCL | TEFC | SN | | | | | | | | |
| | SFA 11.6/5.8 | | | | | | | | | |

Accessories

| Part number | Description | Multiplier |
|--------------------|--------------------|-------------------|
| 34-171 | C FACE KIT | A8 |

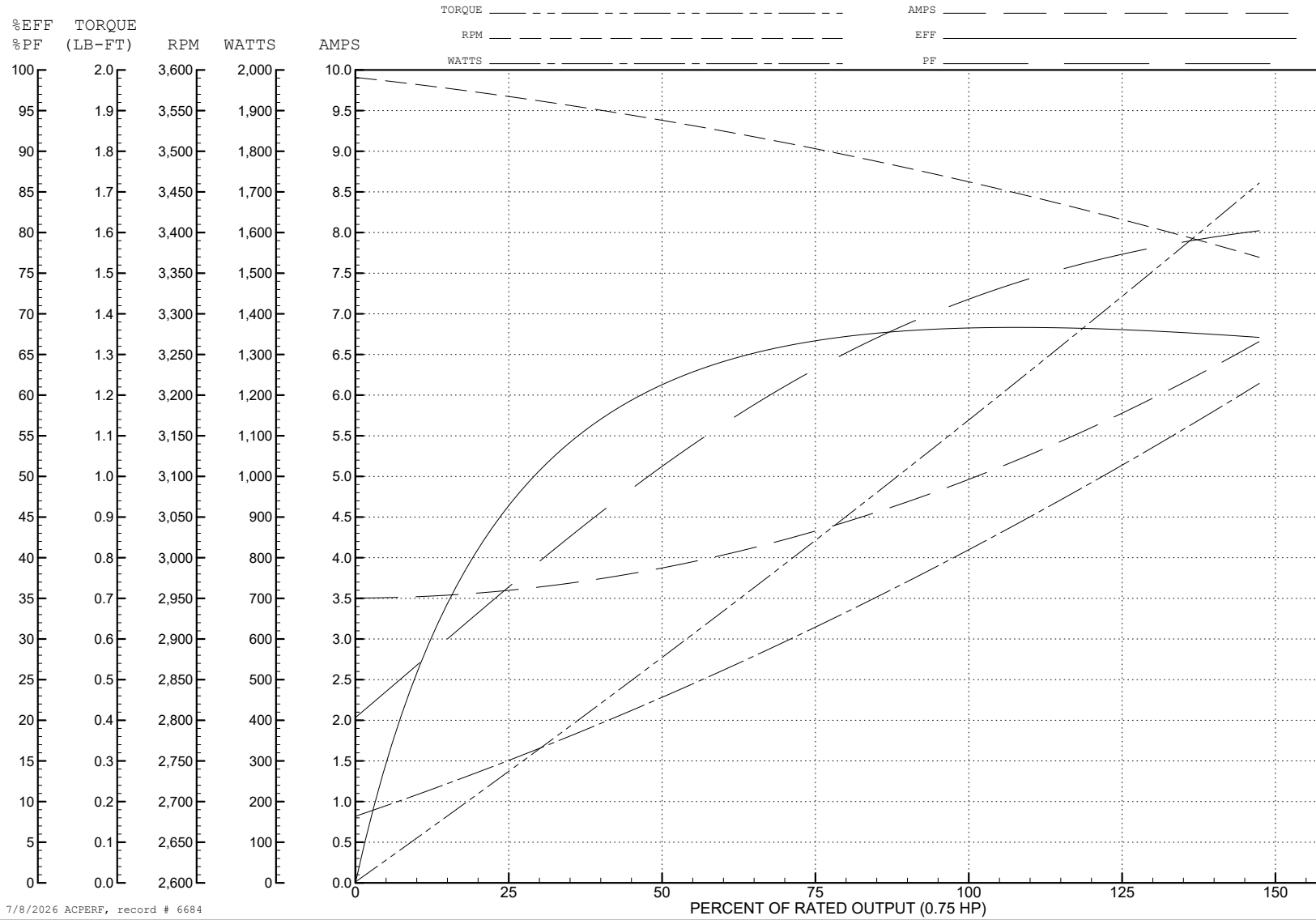
ABB Motors and Mechanical Inc.

WINDING # 34WG3405

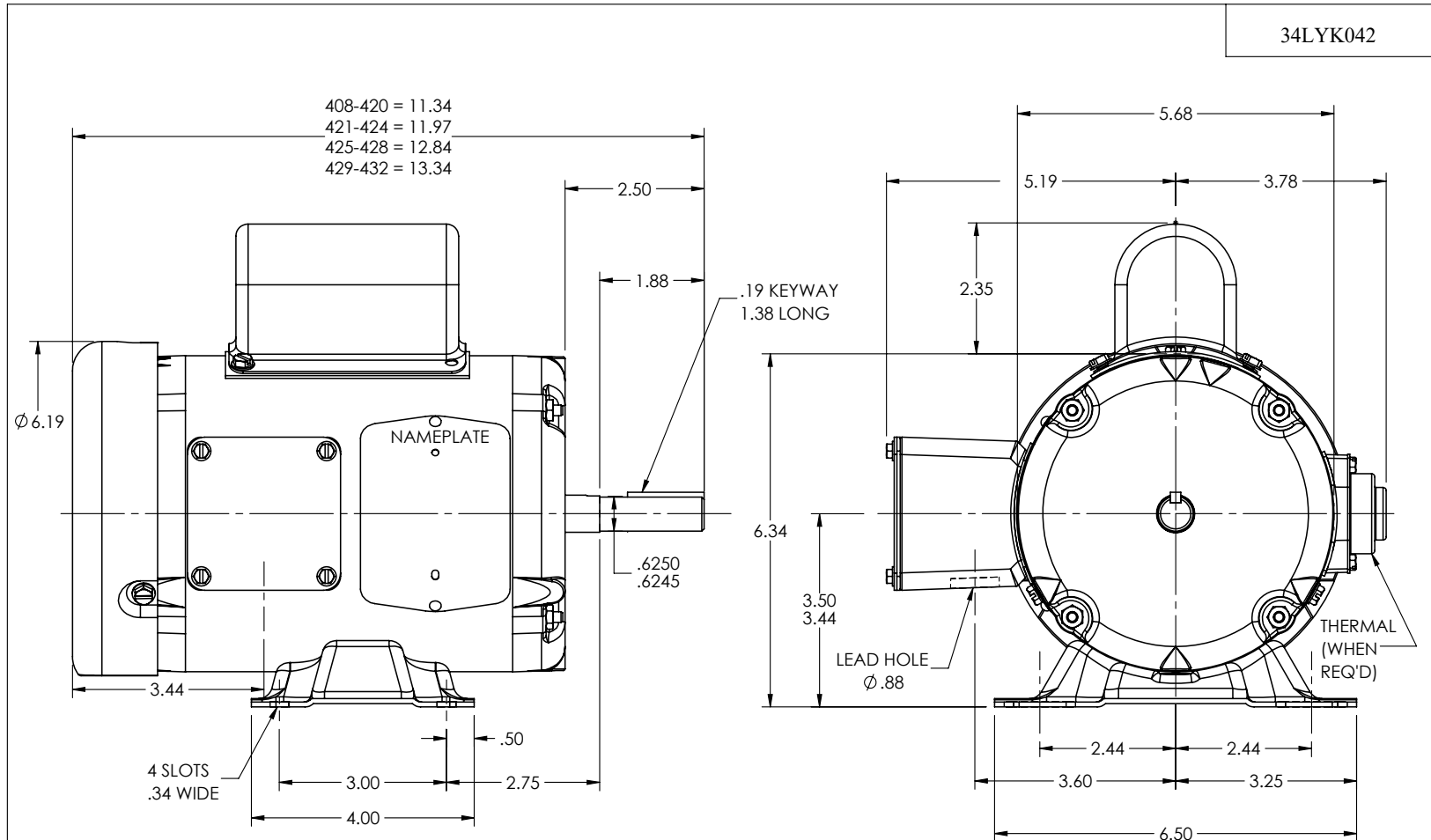
0.75 HP 1 PH 60 HZ 3450 RPM 230 V 3424L

Typical performance - not guaranteed values.

TORQUES (LB-FT): PO=3.5 PU=2.7 LR=3.7 LRA=28



7/8/2026 ACPERF, record # 6684



34LYK042

34LYK042

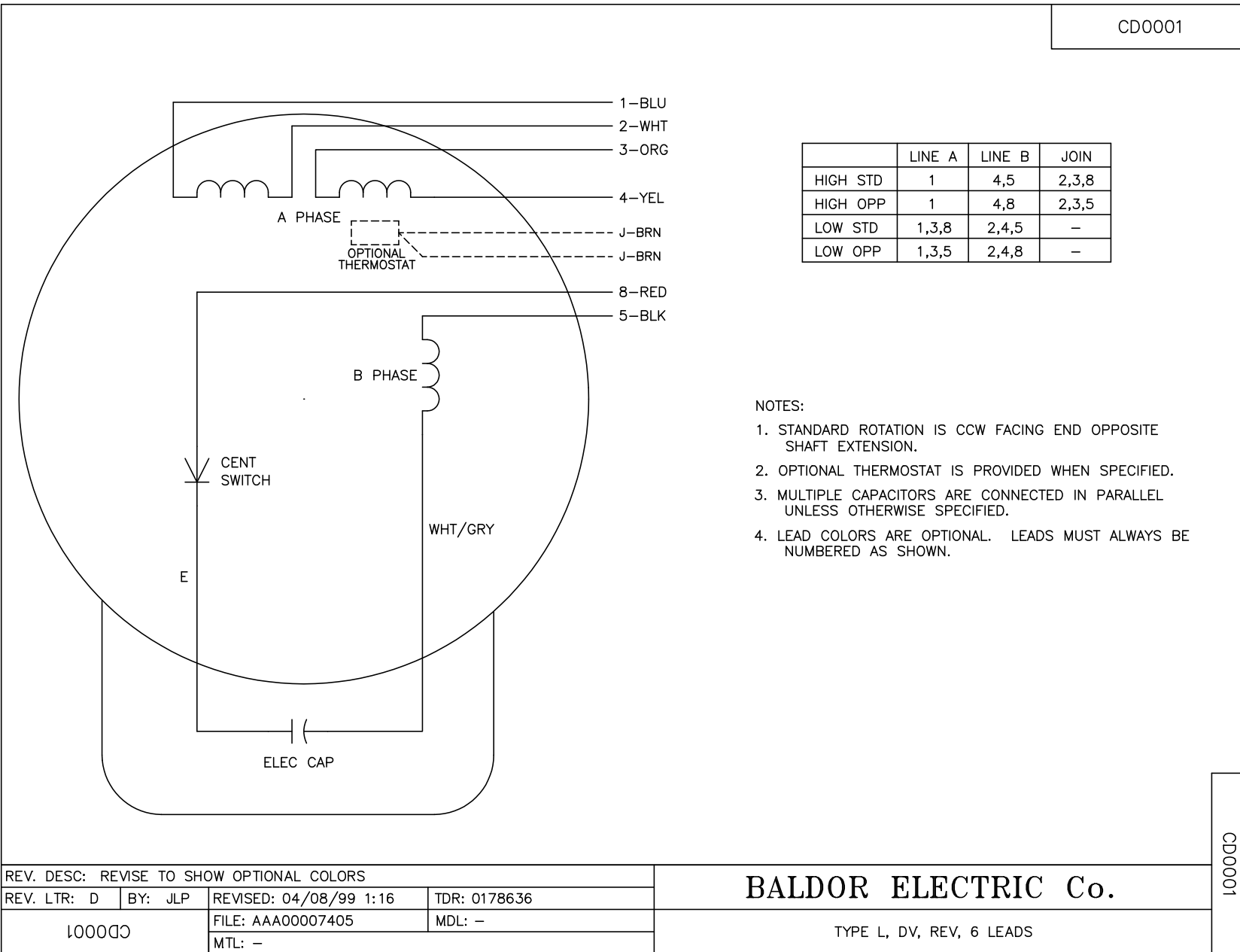
CUSTOMER IS RESPONSIBLE FOR DETERMINING THAT THE PRODUCT WILL PERFORM SUITABLY IN THE INTENDED APPLICATION

| | | | |
|-------------------------------|--------------------|------------------------------|-------------------|
| REV. DESC: LOAD TO SOLIDWORKS | | | |
| REV: D | VERSION: 02 | REVISED: 10:25:55 08/31/2022 | TDR: 000001194274 |
| 34LYK042 | MODEL NO. 34LYK042 | | REF: - |
| | BY: ENFRAJ0 | | |

BALDOR - RELIANCE®

STD HORZ 34L NEMA 56 TEFC W/35 CAPAC BOX

CD0001



| | LINE A | LINE B | JOIN |
|----------|--------|--------|-------|
| HIGH STD | 1 | 4,5 | 2,3,8 |
| HIGH OPP | 1 | 4,8 | 2,3,5 |
| LOW STD | 1,3,8 | 2,4,5 | - |
| LOW OPP | 1,3,5 | 2,4,8 | - |

- NOTES:
1. STANDARD ROTATION IS CCW FACING END OPPOSITE SHAFT EXTENSION.
 2. OPTIONAL THERMOSTAT IS PROVIDED WHEN SPECIFIED.
 3. MULTIPLE CAPACITORS ARE CONNECTED IN PARALLEL UNLESS OTHERWISE SPECIFIED.
 4. LEAD COLORS ARE OPTIONAL. LEADS MUST ALWAYS BE NUMBERED AS SHOWN.

CD0001

| | | | |
|---|---------|------------------------|--------------|
| REV. DESC: REVISE TO SHOW OPTIONAL COLORS | | | |
| REV. LTR: D | BY: JLP | REVISED: 04/08/99 1:16 | TDR: 0178636 |
| 100000 | | FILE: AAA00007405 | MDL: - |
| | | MTL: - | |

BALDOR ELECTRIC Co.

TYPE L, DV, REV, 6 LEADS