

# ABB BALDOR RELIANCE III

---

## Customer information packet

L3504A

.5HP, 1725RPM, 1PH, 60HZ, 56, 3421L, TEFC, F1

Class - None

Division - Not Applicable

**Specifications**

<b>Enclosure</b>	TEFC
<b>Frame</b>	56
<b>Frame Material</b>	Steel
<b>Frequency</b>	60.00 Hz
<b>Haz Area Class and Group</b>	None
<b>Haz Area Division</b>	Not Applicable
<b>Motor Letter Type</b>	Cap Start, Induction Run
<b>Output @ Frequency</b>	.500 HP @ 60 HZ
<b>Phase</b>	1
<b>Synchronous Speed @ Frequency</b>	1800 RPM @ 60 HZ
<b>Voltage @ Frequency</b>	230.0 V @ 60 HZ 115.0 V @ 60 HZ
<b>Agency Approvals</b>	C UR US
<b>Ambient Temperature</b>	40 °C
<b>Auxiliary Box</b>	NO AUXILLARY BOX
<b>Auxiliary Box Lead Termination</b>	None
<b>Base Indicator</b>	Rigid
<b>Bearing Grease Type</b>	Polyrex EM (-20F +300F)
<b>Blower</b>	None
<b>Current @ Voltage</b>	7.400 A @ 115.0 V 4.300 A @ 208.0 V 3.700 A @ 230.0 V
<b>Design Code</b>	N
<b>Drip Cover</b>	No Drip Cover
<b>Duty Rating</b>	CONT
<b>Efficiency @ 100% Load</b>	68.0 %
<b>Electrically Isolated Bearing</b>	Not Electrically Isolated
<b>Feedback Device</b>	NO FEEDBACK
<b>Front Face Code</b>	Standard
<b>Front Shaft Indicator</b>	None
<b>Heater Indicator</b>	No Heater
<b>High Voltage Full Load Amps</b>	3.7 a

**Part Detail**

<b>Revision</b>	AF
<b>Type</b>	AC
<b>Mech. spec.</b>	34C061
<b>Base</b>	
<b>Status</b>	PRD/A
<b>Elec. spec.</b>	34WG5593
<b>Layout</b>	34LYC061
<b>Eff. date</b>	01-13-2025
<b>CD Diagram</b>	CD0008
<b>Poles</b>	04
<b>Leads</b>	6#18,1#16 #4TH
<b>Proprietary</b>	False
<b>Created date</b>	01-01-0001

<b>Insulation Class</b>	B
<b>Inverter Code</b>	Not Inverter
<b>IP Rating</b>	NONE
<b>KVA Code</b>	J
<b>Lifting Lugs</b>	No Lifting Lugs
<b>Locked Bearing Indicator</b>	No Locked Bearing
<b>Motor Lead Exit</b>	Ko Box
<b>Motor Lead Quantity/Wire Size</b>	6 @ 18 AWG
<b>Motor Lead Termination</b>	Flying Leads
<b>Motor Standards</b>	NEMA
<b>Motor Type</b>	3421L
<b>Mounting Arrangement</b>	F1
<b>Number of Poles</b>	4
<b>Overall Length</b>	11.97 IN
<b>Power Factor</b>	66
<b>Product Family</b>	General Purpose
<b>Pulley End Bearing Type</b>	Ball
<b>Pulley Face Code</b>	Standard
<b>Pulley Shaft Indicator</b>	Standard
<b>Rodent Screen</b>	None
<b>Service Factor</b>	1.25
<b>Shaft Diameter</b>	0.625 IN
<b>Shaft Extension Location</b>	Pulley End
<b>Shaft Ground Indicator</b>	No Shaft Grounding
<b>Shaft Rotation</b>	Reversible
<b>Shaft Slinger Indicator</b>	No Slinger
<b>Speed</b>	1725 rpm
<b>Speed Code</b>	Single Speed
<b>Starting Method</b>	Direct on line
<b>Thermal Device - Bearing</b>	None
<b>Thermal Device - Winding</b>	None
<b>Vibration Sensor Indicator</b>	No Vibration Sensor
<b>Winding Thermal 1</b>	Automatic Thermal Overload
<b>Winding Thermal 1 Location</b>	SB

**Winding Thermal 2**

**None**

---

**Nameplate**

<b>NP1257L</b>	
<b>CAT.NO.</b>	L3504A
<b>SPEC.</b>	34C61-5593
<b>HP</b>	.5
<b>VOLTS</b>	115/230
<b>AMP</b>	7.4/3.7
<b>RPM</b>	1725
<b>FRAME</b>	56 <b>HZ</b> 60 <b>PH</b> 1
<b>SER.F.</b>	1.25 <b>CODE</b> J <b>DES</b> N <b>CL</b> B
<b>NEMA-NOM-EFF</b>	68 <b>PF</b> 66
<b>RATING</b>	40C AMB-CONT
<b>CC</b>	
<b>DE</b>	6203 <b>ODE</b> 6203
<b>ENCL</b>	TEFC <b>SN</b> SFA 8.2/4.1

**Accessories**

<b>Part number</b>	<b>Description</b>	<b>Multiplier</b>
34-171	C FACE KIT	A8

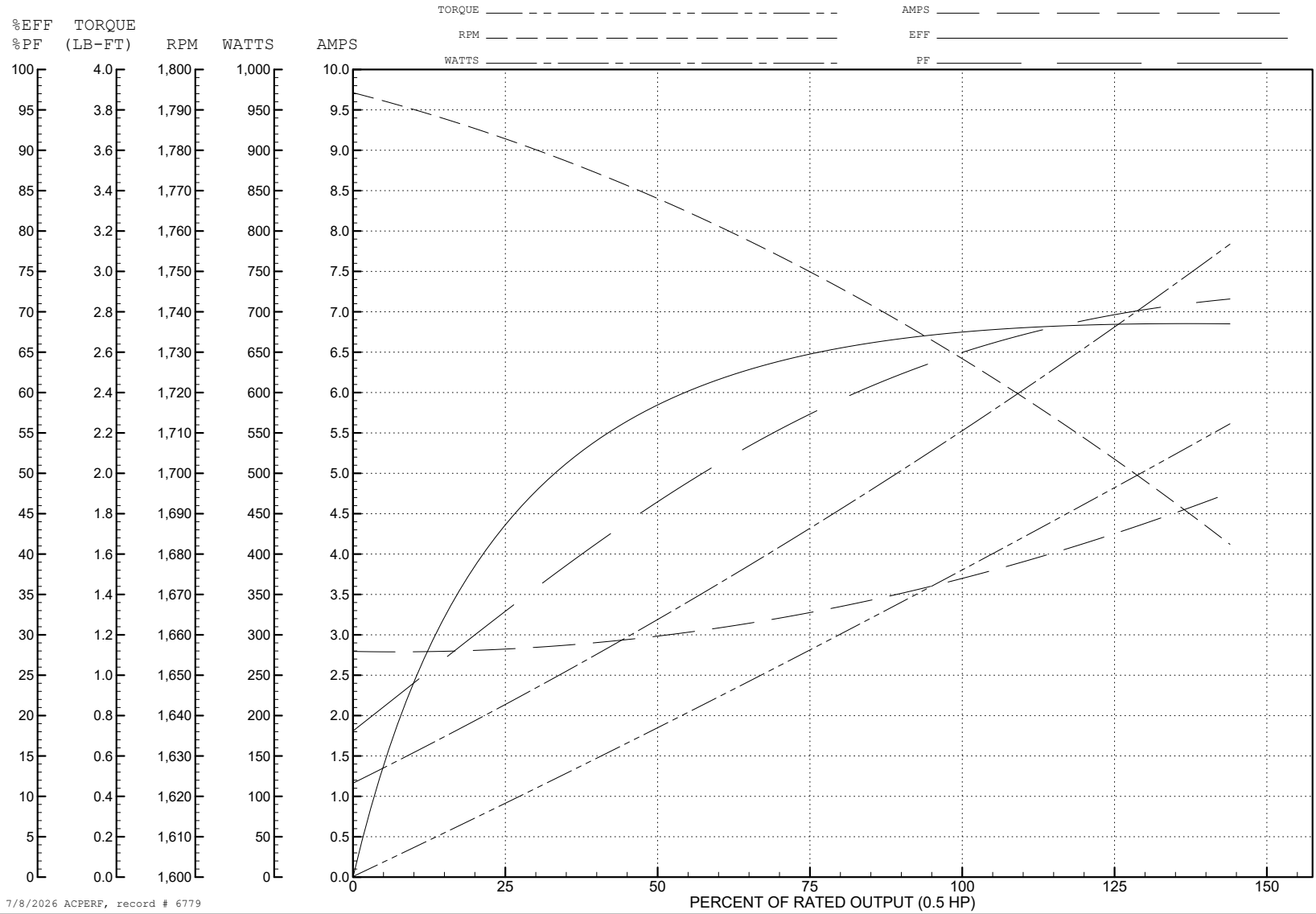
ABB Motors and Mechanical Inc.

WINDING # 34WG5593

0.5 HP 1 PH 60 HZ 1725 RPM 230 V 3421L

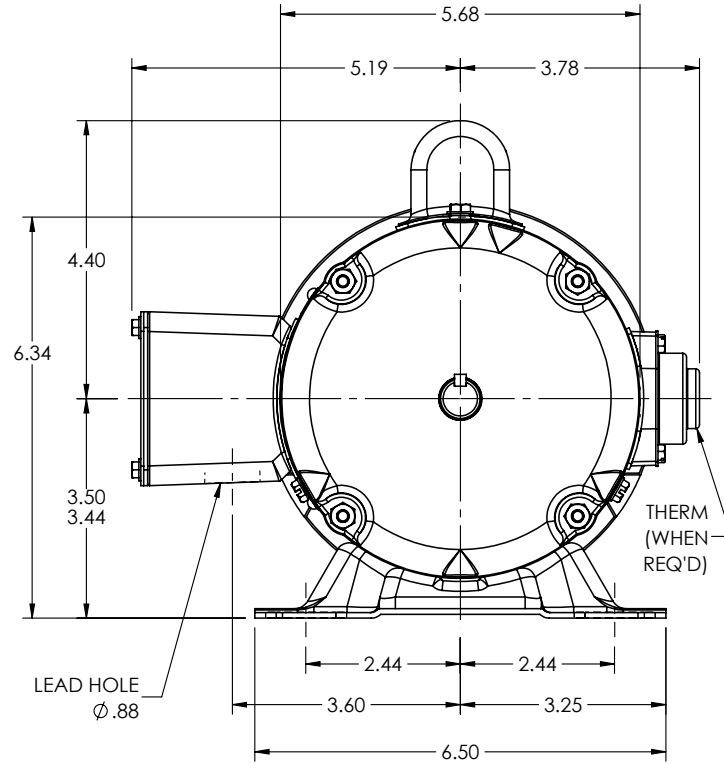
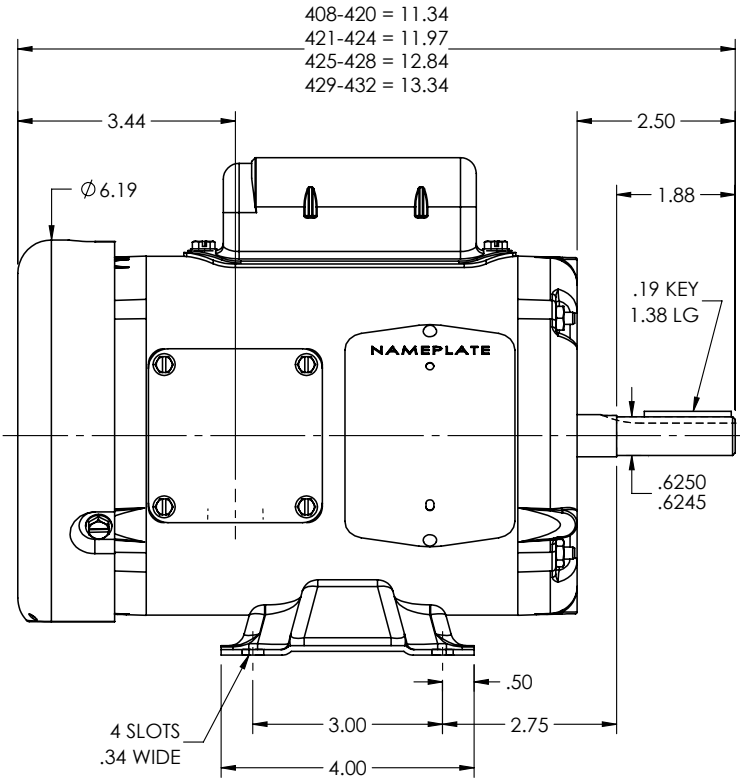
Typical performance - not guaranteed values.

TORQUES (LB-FT): PO=4.13 PU=3.6 LR=4.65 LRA=16.5



7/8/2026 ACPERF, record # 6779

34LYC061



CUSTOMER IS RESPONSIBLE FOR DETERMINING THAT THE PRODUCT WILL PERFORM SUITABLY IN THE INTENDED APPLICATION

REV. DESC: CLEAN UP DIMENSIONING

REV: J    VERSION: 04    REVISED: 04:06:14 04/11/2025    TDR: 000001253803

34LYC061

MODEL NO. 34LYC061  
BY: ENJEFD0

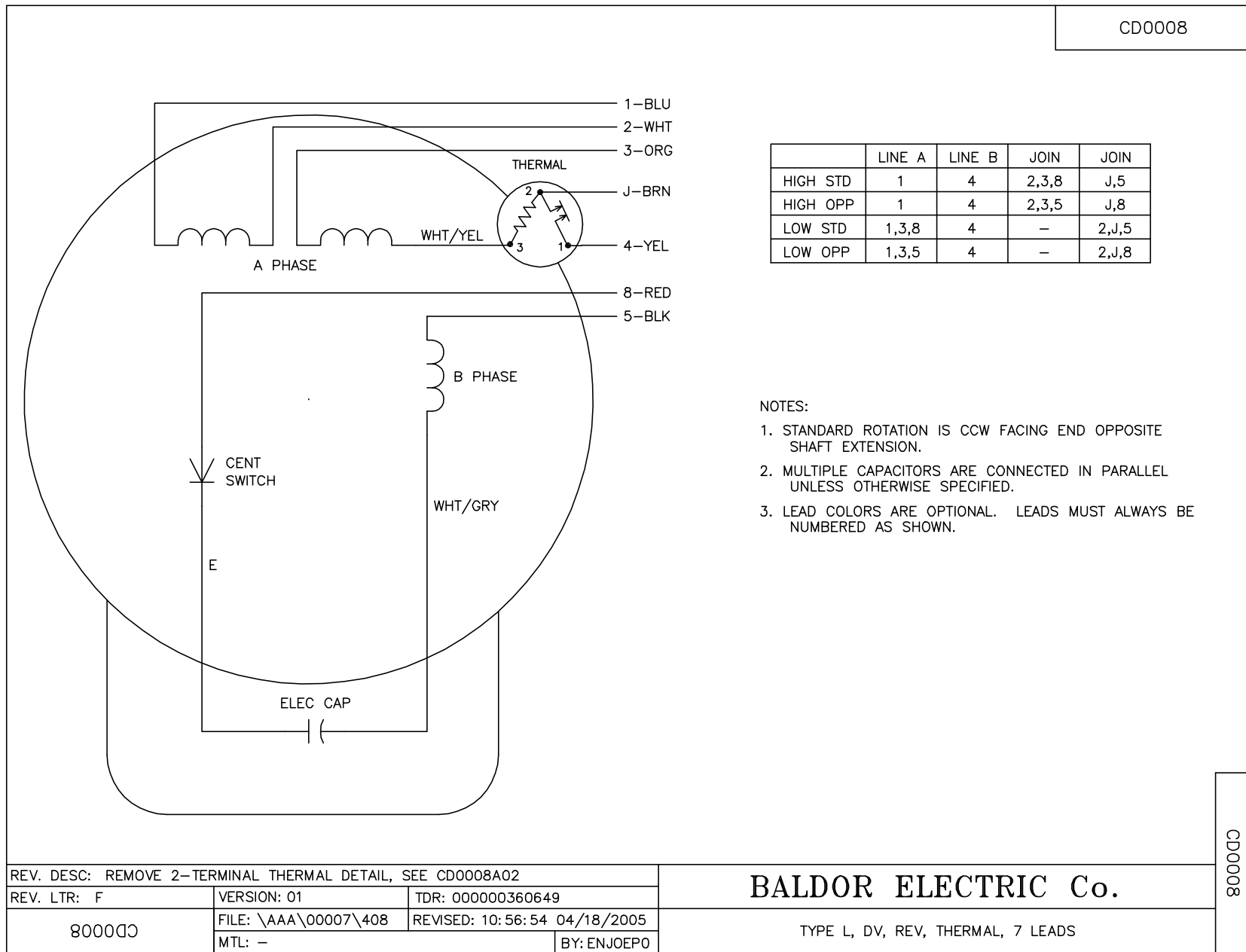
REF: -

**BALDOR - RELIANCE®**

STD HORZ MODEL 34L NEMA 56 TEFC

34LYC061

CD0008



	LINE A	LINE B	JOIN	JOIN
HIGH STD	1	4	2,3,8	J,5
HIGH OPP	1	4	2,3,5	J,8
LOW STD	1,3,8	4	-	2,J,5
LOW OPP	1,3,5	4	-	2,J,8

**NOTES:**

1. STANDARD ROTATION IS CCW FACING END OPPOSITE SHAFT EXTENSION.
2. MULTIPLE CAPACITORS ARE CONNECTED IN PARALLEL UNLESS OTHERWISE SPECIFIED.
3. LEAD COLORS ARE OPTIONAL. LEADS MUST ALWAYS BE NUMBERED AS SHOWN.

REV. DESC: REMOVE 2-TERMINAL THERMAL DETAIL, SEE CD0008A02		
REV. LTR: F	VERSION: 01	TDR: 000000360649
800000	FILE: \AAA\00007\408	REVISED: 10:56:54 04/18/2005
	MTL: -	BY: ENJOEPO

**BALDOR ELECTRIC Co.**

TYPE L, DV, REV, THERMAL, 7 LEADS

CD0008