

ABB BALDOR RELIANCE III

Customer information packet

L3504-50

.5/.37KW, 1425RPM, 1PH, 50HZ, 56, 3424LC, TEFC

Class - None

Division - Not Applicable

Specifications

Enclosure	TEFC
Frame	56
Frame Material	Steel
Frequency	50.00 Hz
Haz Area Class and Group	None
Haz Area Division	Not Applicable
Motor Letter Type	Cap Start, Cap Run
Output @ Frequency	.370 KW @ 50 HZ
Phase	1
Synchronous Speed @ Frequency	1500 RPM @ 50 HZ
Voltage @ Frequency	110.0 V @ 50 HZ 220.0 V @ 50 HZ
Agency Approvals	C UR US CE CURUS UKCA WEEE
Ambient Temperature	40 °C
Auxiliary Box	NO AUXILLARY BOX
Auxiliary Box Lead Termination	None
Base Indicator	Rigid
Bearing Grease Type	Polyrex EM (-20F +300F)
Blower	None
Current @ Voltage	5.000 A @ 110.0 V 2.500 A @ 220.0 V
Design Code	-
Drip Cover	No Drip Cover
Duty Rating	CONT
Efficiency @ 100% Load	72.7 %
Electrically Isolated Bearing	Not Electrically Isolated
Feedback Device	NO FEEDBACK
Front Shaft Indicator	None

Part Detail

Revision	G
Type	AC
Mech. spec.	34G375
Base	
Status	PRD/A
Elec. spec.	34WGR778
Layout	34LYG375
Eff. date	06-15-2026
CD Diagram	CD0055
Poles	04
Leads	6#18
Proprietary	False
Created date	10-10-2023

Heater Indicator	No Heater
High Voltage Full Load Amps	2.5 a
Insulation Class	B
Inverter Code	Not Inverter
KVA Code	J
Lifting Lugs	No Lifting Lugs
Locked Bearing Indicator	No Locked Bearing
Motor Lead Quantity/Wire Size	6 @ 18 AWG
Motor Lead Termination	Flying Leads
Motor Standards	NEMA
Motor Type	3424LC
Mounting Arrangement	F1
Number of Poles	4
Overall Length	11.97 IN
Power Factor	93
Product Family	General Purpose
Pulley End Bearing Type	Ball
Pulley Face Code	Standard
Pulley Shaft Indicator	Standard
Rodent Screen	None
RoHS Status	ROHS COMPLIANT
Service Factor	1.25
Shaft Diameter	0.625 IN
Shaft Ground Indicator	No Shaft Grounding
Shaft Rotation	Reversible
Shaft Slinger Indicator	No Slinger
Speed	1425 rpm
Speed Code	Single Speed
Starting Method	Direct on line
Thermal Device - Bearing	None
Thermal Device - Winding	None
Vibration Sensor Indicator	No Vibration Sensor
Winding Thermal 1	None
Winding Thermal 2	None

Nameplate

NP1372L	
CAT.NO.	L3504-50
SPEC.	34G375R778
HP	.5/.37KW
VOLTS	110/220
AMP	5/2.5
R.P.M. (1/MIN)	1425
FRAME	56 HZ 50 PH 1
SER.F.	1.25 CODE J DES - CL B
NEMA-NOM-EFF	72.7 PF 93
RATING	40C AMB-S1 CONT
CC	IP44 IC411 19KG
DE	6203 ODE 6203
ENCL	TEFC SN
	IE2-50HZ 68(75%),60 (50%)

Accessories

Part number	Description	Multiplier
34-171	C FACE KIT	A8

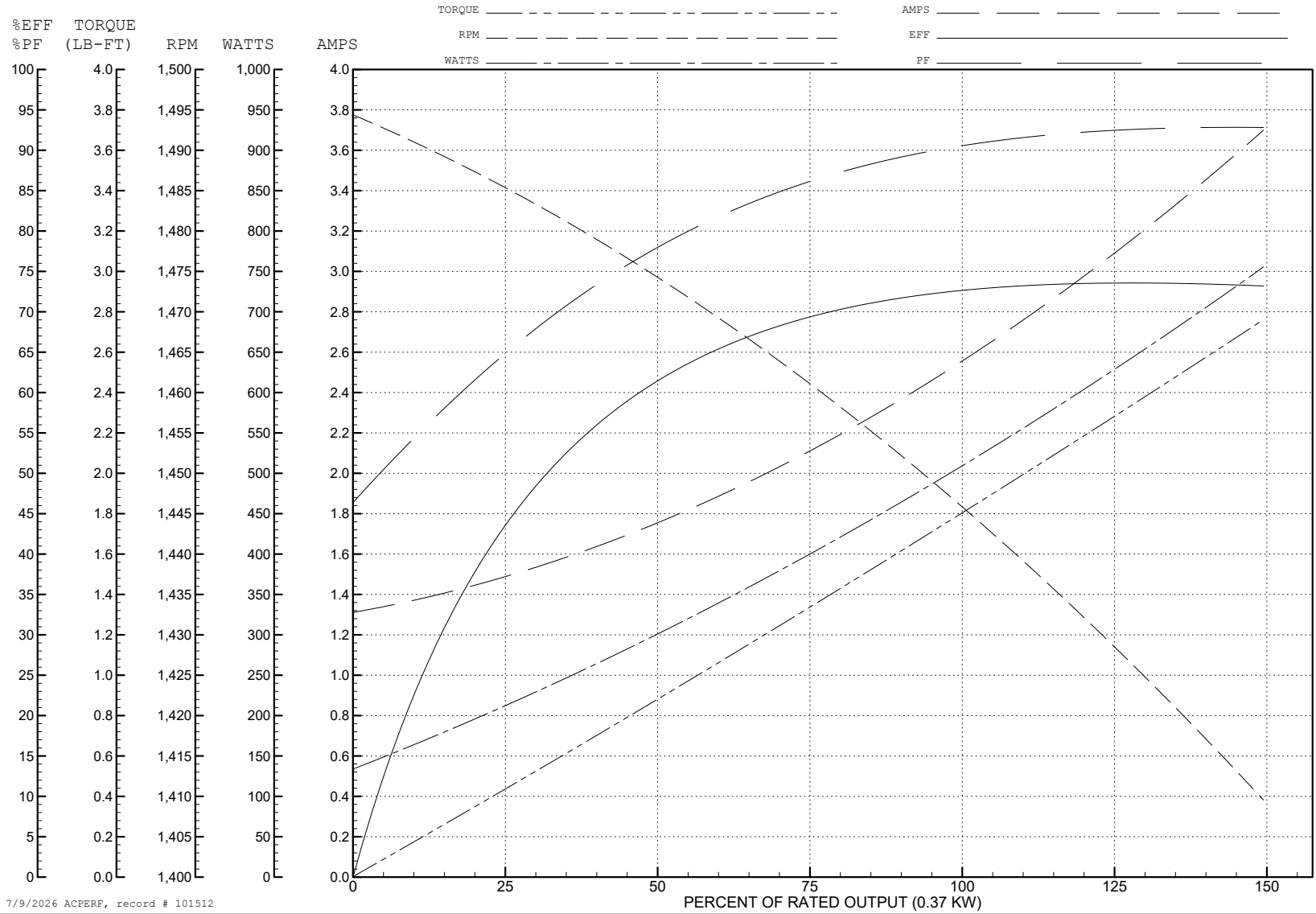
ABB Motors and Mechanical Inc.

WINDING # 34WGR778

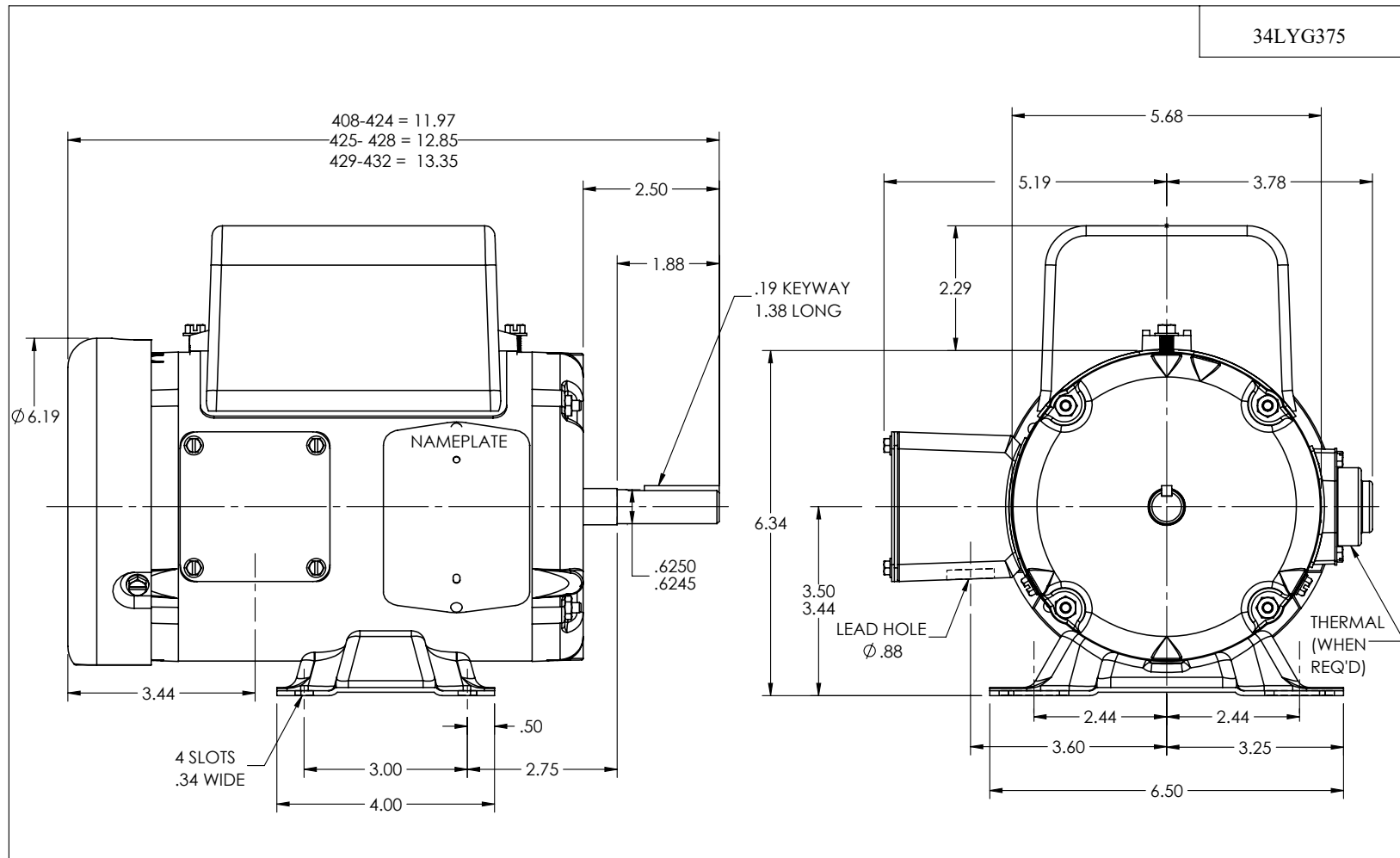
Typical performance - not guaranteed values.

0.37 KW 1 PH 50 HZ 1425 RPM 220 V 3424LC

TORQUES (LB-FT): PO=4.92 PU=4.25 LR=5.35 LRA=18.6



7/9/2026 ACPERF, record # 101512



CUSTOMER IS RESPONSIBLE FOR DETERMINING THAT THE PRODUCT WILL PERFORM SUITABLY IN THE INTENDED APPLICATION

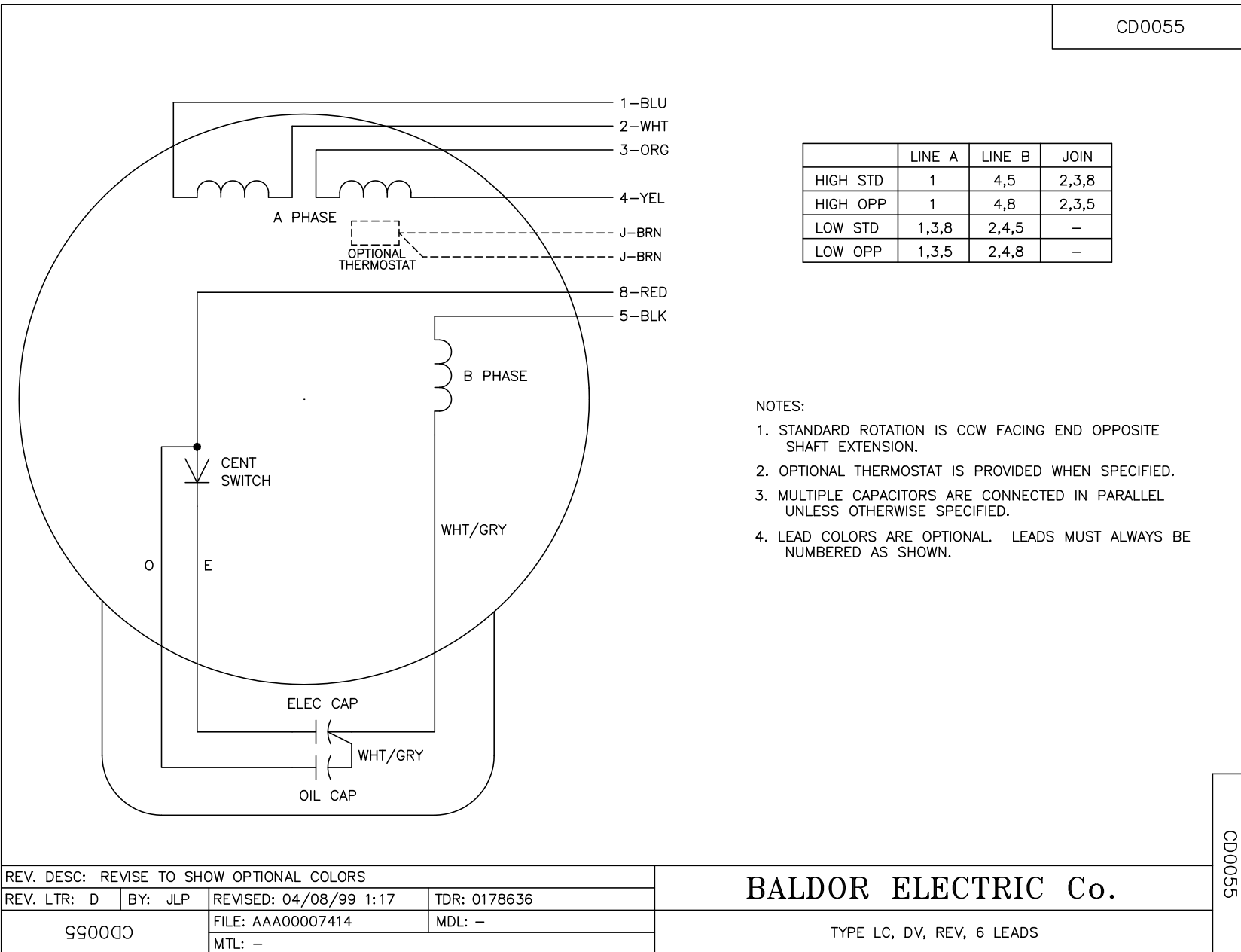
REV. DESC: LOAD TO SOLIDWORKS			
REV: E	VERSION: 04	REVISED: 03:58:39 08/09/2022	TDR: 000001194274
34LYG375	MODEL NO. 34LYG375	REF: -	
	BY: ENFRAJ0		

BALDOR - RELIANCE®

HORZ 34LC NEMA 56 TEFC

34LYG375

CD0055



	LINE A	LINE B	JOIN
HIGH STD	1	4,5	2,3,8
HIGH OPP	1	4,8	2,3,5
LOW STD	1,3,8	2,4,5	-
LOW OPP	1,3,5	2,4,8	-

NOTES:

1. STANDARD ROTATION IS CCW FACING END OPPOSITE SHAFT EXTENSION.
2. OPTIONAL THERMOSTAT IS PROVIDED WHEN SPECIFIED.
3. MULTIPLE CAPACITORS ARE CONNECTED IN PARALLEL UNLESS OTHERWISE SPECIFIED.
4. LEAD COLORS ARE OPTIONAL. LEADS MUST ALWAYS BE NUMBERED AS SHOWN.

CD0055

REV. DESC: REVISE TO SHOW OPTIONAL COLORS			
REV. LTR: D	BY: JLP	REVISED: 04/08/99 1:17	TDR: 0178636
C00000		FILE: AAA00007414	MDL: -
		MTL: -	

BALDOR ELECTRIC Co.

TYPE LC, DV, REV, 6 LEADS