

BALDOR • RELIANCE

Customer information packet

L3503-50

.5/KW .37, 2895RPM, 1PH, 50HZ, 56, 3420LC, TEF

Class - None

Division - Not Applicable

Copyright © All product information within this document is subject to ABB Motors and Mechanical Inc. copyright © protection, unless otherwise noted.

10/5/2024 1:22:58 AM

Specifications

Enclosure	TEFC
Frame	56
Frame Material	Steel
Frequency	50.00 Hz
Haz Area Class and Group	None
Haz Area Division	Not Applicable
Motor Letter Type	Cap Start, Cap Run
Output @ Frequency	.500 HP @ 50 HZ
Phase	1
Synchronous Speed @ Frequency	3000 RPM @ 50 HZ
Voltage @ Frequency	110.0 V @ 50 HZ 220.0 V @ 50 HZ
Agency Approvals	UR CE CSA WEEE
Ambient Temperature	40 °C
Auxillary Box	No Auxillary Box
Auxillary Box Lead Termination	None
Base Indicator	Rigid
Bearing Grease Type	Polyrex EM (-20F +300F)
Blower	None
Design Code	N
Drip Cover	No Drip Cover
Duty Rating	CONT
Electrically Isolated Bearing	Not Electrically Isolated
Feedback Device	NO FEEDBACK
Front Shaft Indicator	None
Heater Indicator	No Heater
Insulation Class	B
Inverter Code	Not Inverter
Lifting Lugs	No Lifting Lugs

Part detail

Revision	D
Type	AC
Mech. spec.	34G375
Base	
Status	PRD/A
Elec. spec.	34WGR747
Layout	34LYG375
Eff. date	10-16-2023
CD Diagram	CD0055
Poles	02
Leads	6#18
Proprietary	False
Created date	02-14-2023

Locked Bearing Indicator	No Locked Bearing
Motor Lead Quantity/Wire Size	6 @ 18 AWG
Motor Lead Termination	Flying Leads
Motor Standards	NEMA
Motor Type	3420LC
Mounting Arrangement	F1
Number of Poles	2
Overall Length	11.97 IN
Product Family	General Purpose
Pulley End Bearing Type	Ball
Pulley Face Code	Standard
Pulley Shaft Indicator	Standard
Rodent Screen	None
RoHS Status	ROHS COMPLIANT
Service Factor	1.25
Shaft Diameter	0.625 IN
Shaft Ground Indicator	No Shaft Grounding
Shaft Rotation	Reversible
Shaft Slinger Indicator	No Slinger
Speed	2850 rpm
Speed Code	Single Speed
Starting Method	Direct on line
Thermal Device - Bearing	None
Thermal Device - Winding	None
Vibration Sensor Indicator	No Vibration Sensor
Winding Thermal 1	None
Winding Thermal 2	None

Nameplate

NP1372L										
CAT.NO.	L3503-50									
SPEC.	34G375R747G1									
HP	.5/KW .37									
VOLTS	110/220									
AMP	4.9/2.45									
R.P.M. (1/MIN)	2895									
FRAME	56		HZ	50		PH	1			
SER.F.	1.25	CODE	J	DES	-	CL	B			
NEMA-NOM-EFF	69.5	PF	93							
RATING	40C AMB-S1 CONT									
CC			IP44 KG12 IC411							
DE	6203		ODE	6203						
ENCL	TEFC	SN								
	IE2-50HZ 68(75%),62 (50%)									

Accessories

Part number	Description	Multiplier
34-171	C FACE KIT	A8

AC Induction Motor Performance Data

Record # 101492

Typical performance - not guaranteed values

Winding: 34WGR747-R001		Type: 3420LC	Enclosure: TEFC	
Nameplate Data			220 V, 50 Hz: High Voltage Connection	
Rated Output (KW)	.37	Full Load Torque	0.8999 LB-FT	
Volts	110/220	Start Configuration	direct on line	
Full Load Amps	4.9/2.45	Breakdown Torque	2.33 LB-FT	
R.P.M.	2850	Pull-up Torque	1.53 LB-FT	
Hz	50 Phase	1	Locked-rotor Torque	2.74 LB-FT
NEMA Design Code	- KVA Code	J	Starting Current	18 A
Service Factor (S.F.)	1.25	No-load Current	1.08 A	
NEMA Nom. Eff.	69.5 Power Factor	93	Line-line Res. @ 25°C	5.0949 Ω A Ph 3.7473 Ω B Ph
Rating - Duty	40C AMB-CONT	Temp. Rise @ Rated Load	41°C	
S.F. Amps	6/3	Temp. Rise @ S.F. Load	57°C	

Load Characteristics 220 V, 50 Hz, 0.37 KW

% of Rated Load	25	50	75	100	125	150	S.F.
Power Factor	72	83	90	93	95	95	95
Efficiency	47.5	63.9	71.3	74.2	74.9	73.8	74.9
Speed	2970.3	2950.1	2926	2897.9	2867.8	2826.1	2868
Line amperes	1.27	1.58	1.96	2.44	2.94	3.58	2.94

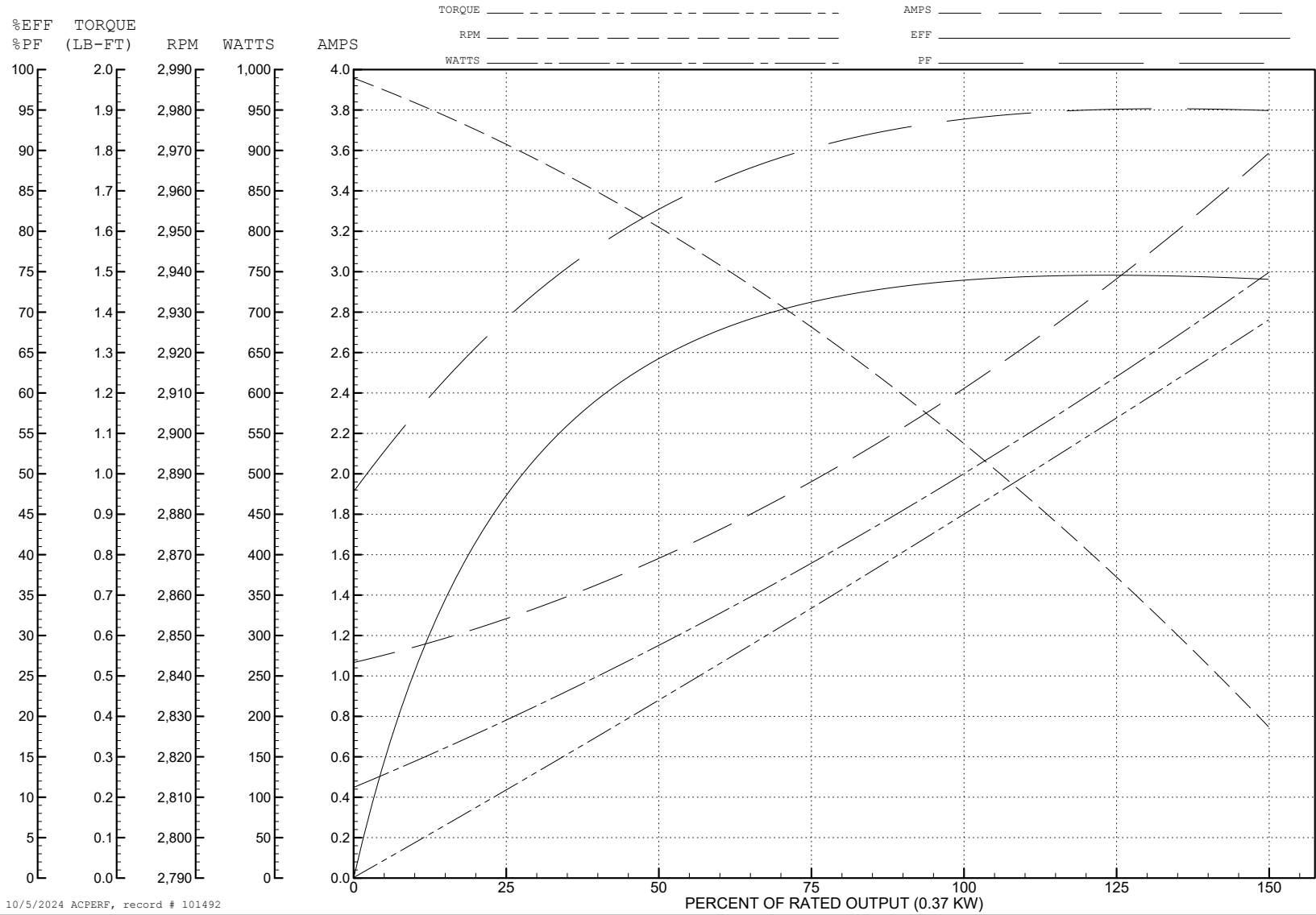
ABB Motors and Mechanical Inc.

WINDING # 34WGR747

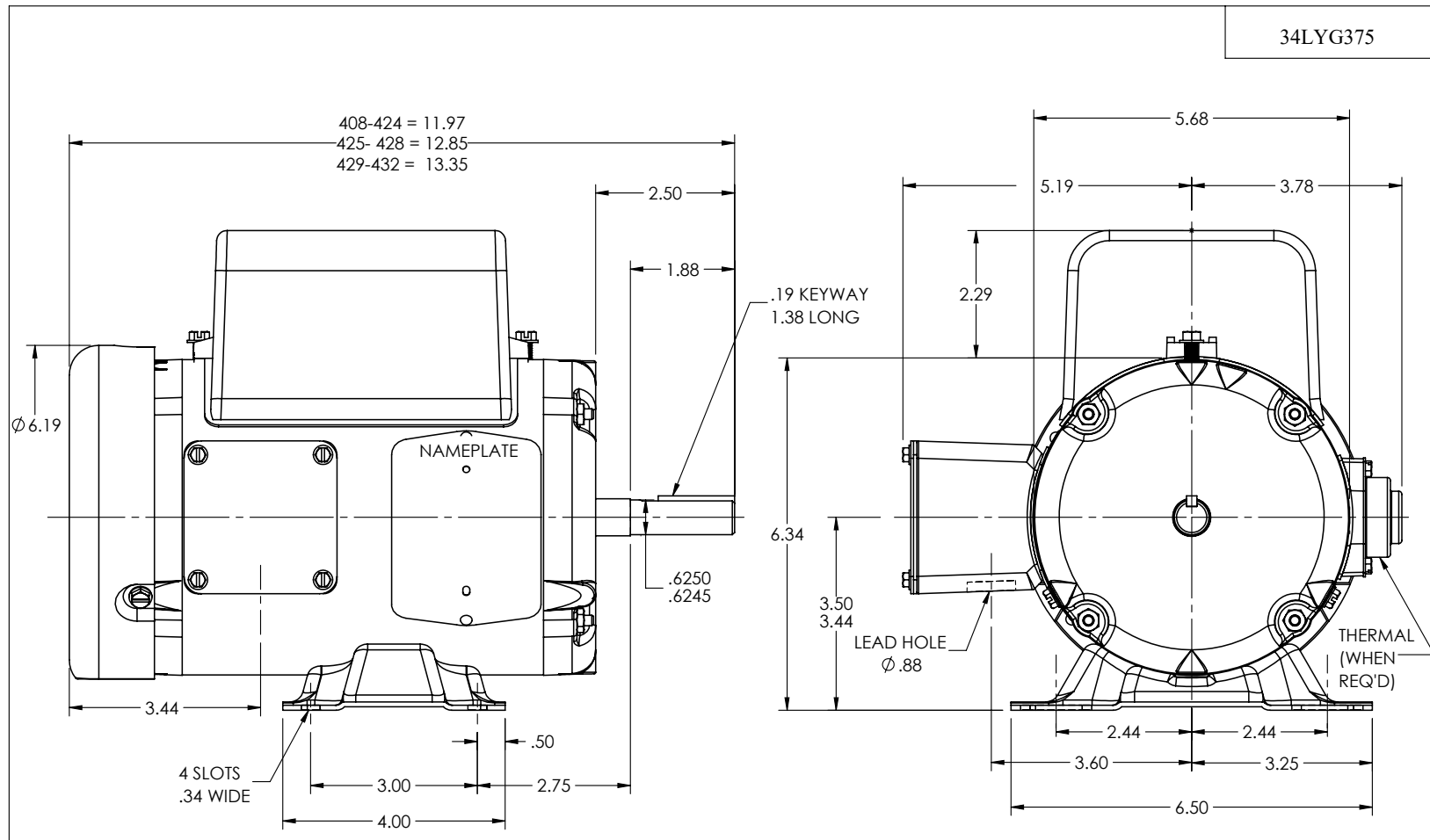
0.37 KW 1 PH 50 HZ 2850 RPM 220 V 3420LC

Typical performance - not guaranteed values.

TORQUES (LB-FT): PO=2.33 PU=1.53 LR=2.74 LRA=18



10/5/2024 ACPERF, record # 101492



34LYG375

CUSTOMER IS RESPONSIBLE FOR DETERMINING THAT THE PRODUCT WILL PERFORM SUITABLY IN THE INTENDED APPLICATION

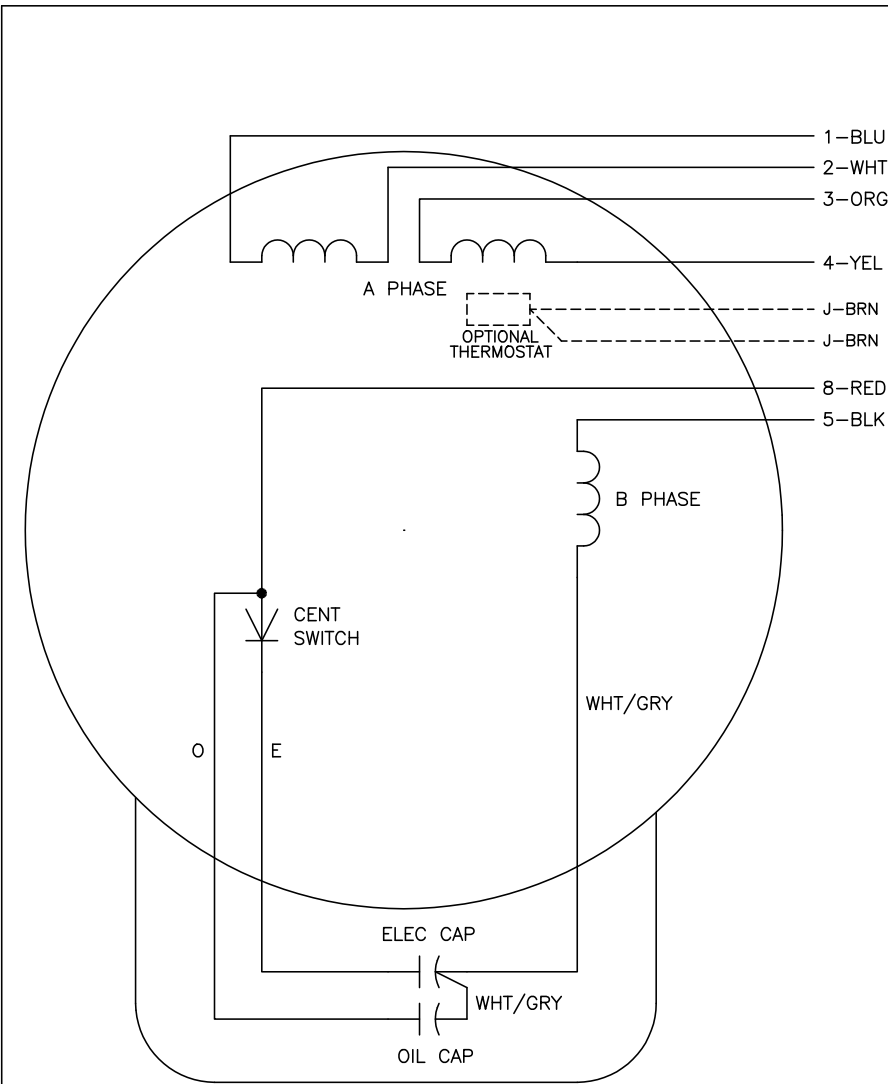
REV. DESC: LOAD TO SOLIDWORKS			
REV: E	VERSION: 04	REVISED: 03:58:39 08/09/2022	TDR: 000001194274
34LYG375	MODEL NO. 34LYG375		REF: -
	BY: ENFRAJ0		

BALDOR - RELIANCE®

HORZ 34LC NEMA 56 TEFC

34LYG375

CD0055



	LINE A	LINE B	JOIN
HIGH STD	1	4,5	2,3,8
HIGH OPP	1	4,8	2,3,5
LOW STD	1,3,8	2,4,5	-
LOW OPP	1,3,5	2,4,8	-

NOTES:

1. STANDARD ROTATION IS CCW FACING END OPPOSITE SHAFT EXTENSION.
2. OPTIONAL THERMOSTAT IS PROVIDED WHEN SPECIFIED.
3. MULTIPLE CAPACITORS ARE CONNECTED IN PARALLEL UNLESS OTHERWISE SPECIFIED.
4. LEAD COLORS ARE OPTIONAL. LEADS MUST ALWAYS BE NUMBERED AS SHOWN.

REV. DESC: REVISE TO SHOW OPTIONAL COLORS			
REV. LTR: D	BY: JLP	REVISED: 04/08/99 1:17	TDR: 0178636
C00000		FILE: AAA00007414	MDL: -
		MTL: -	

BALDOR ELECTRIC Co.

TYPE LC, DV, REV, 6 LEADS

CD0055