

ABB BALDOR RELIANCE III

Customer information packet

L3500

.25HP, 1150RPM, 1PH, 60HZ, 56, 3526L, TEFC, F1

Class - None

Division - Not Applicable

Specifications

Enclosure	TEFC
Frame	56
Frame Material	Steel
Frequency	60.00 Hz
Haz Area Class and Group	None
Haz Area Division	Not Applicable
Motor Letter Type	Cap Start, Induction Run
Output @ Frequency	.250 HP @ 60 HZ
Phase	1
Synchronous Speed @ Frequency	1200 RPM @ 60 HZ
Voltage @ Frequency	115.0 V @ 60 HZ 230.0 V @ 60 HZ
Agency Approvals	C UR US
Ambient Temperature	40 °C
Auxiliary Box	NO AUXILLARY BOX
Auxiliary Box Lead Termination	None
Base Indicator	Rigid
Bearing Grease Type	Polyrex EM (-20F +300F)
Blower	None
Current @ Voltage	3.400 A @ 230.0 V 6.800 A @ 115.0 V
Design Code	N
Drip Cover	No Drip Cover
Duty Rating	CONT
Efficiency @ 100% Load	55.0 %
Electrically Isolated Bearing	Not Electrically Isolated
Feedback Device	NO FEEDBACK
Front Shaft Indicator	None
Heater Indicator	No Heater
High Voltage Full Load Amps	3.4 a
Insulation Class	F
Inverter Code	Not Inverter

Part Detail

Revision	B
Type	AC
Mech. spec.	35C011
Base	
Status	PRD/A
Elec. spec.	35WGG379
Layout	35LYC011
Eff. date	01-27-2025
CD Diagram	CD0001
Poles	06
Leads	6#18
Proprietary	False
Created date	09-26-2024

KVA Code	P
Lifting Lugs	No Lifting Lugs
Locked Bearing Indicator	No Locked Bearing
Motor Lead Quantity/Wire Size	6 @ 18 AWG
Motor Lead Termination	Flying Leads
Motor Standards	NEMA
Motor Type	3526L
Mounting Arrangement	F1
Number of Poles	6
Overall Length	13.23 IN
Power Factor	43
Product Family	General Purpose
Pulley End Bearing Type	Ball
Pulley Face Code	Standard
Pulley Shaft Indicator	Standard
Rodent Screen	None
RoHS Status	ROHS COMPLIANT
Service Factor	1.35
Shaft Diameter	0.625 IN
Shaft Ground Indicator	No Shaft Grounding
Shaft Rotation	Reversible
Shaft Slinger Indicator	No Slinger
Speed	1150 rpm
Speed Code	Single Speed
Starting Method	Direct on line
Thermal Device - Bearing	None
Thermal Device - Winding	None
Vibration Sensor Indicator	No Vibration Sensor
Winding Thermal 1	None
Winding Thermal 2	None

Nameplate

NP1256L									
CAT.NO.	L3500								
SPEC.	35C011G379G2								
HP	.25								
VOLTS	115/230								
AMP	6.8/3.4								
RPM	1150								
FRAME	56	HZ	60	PH	1				
SER.F.	1.35	CODE	P	DES	N	CLASS	F		
NEMA-NOM-EFF	55	PF	43						
RATING	40C AMB-CONT								
CC									
DE	6205	ODE	6203						
ENCL	TEFC	SN							
	SFA 7.3/3.65								

Accessories

Part number	Description	Multiplier
35-8762	C FACE KIT	A8
35EP1506A01SP	D-FLANGE KIT	A8

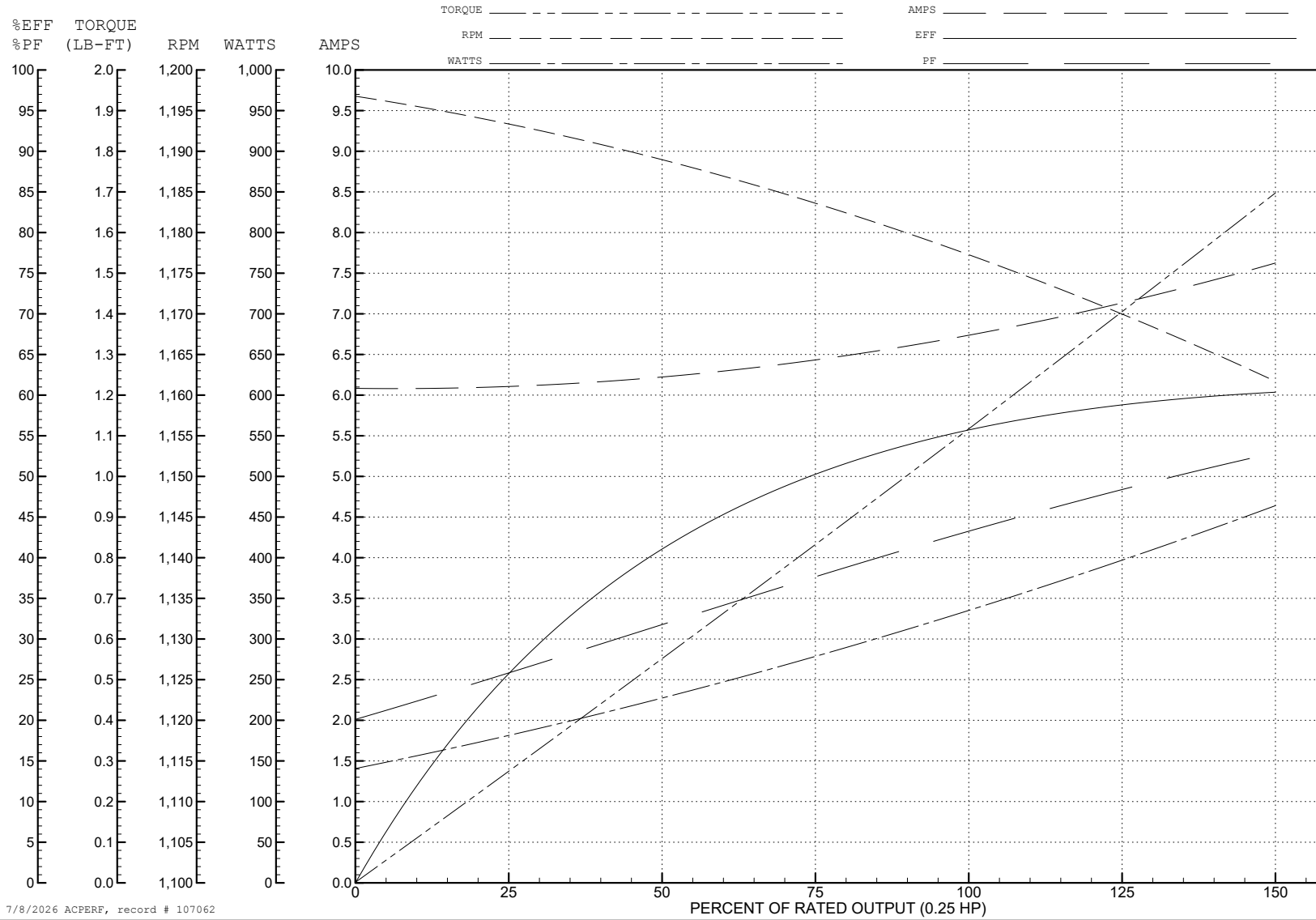
ABB Motors and Mechanical Inc.

WINDING # 35WGG379

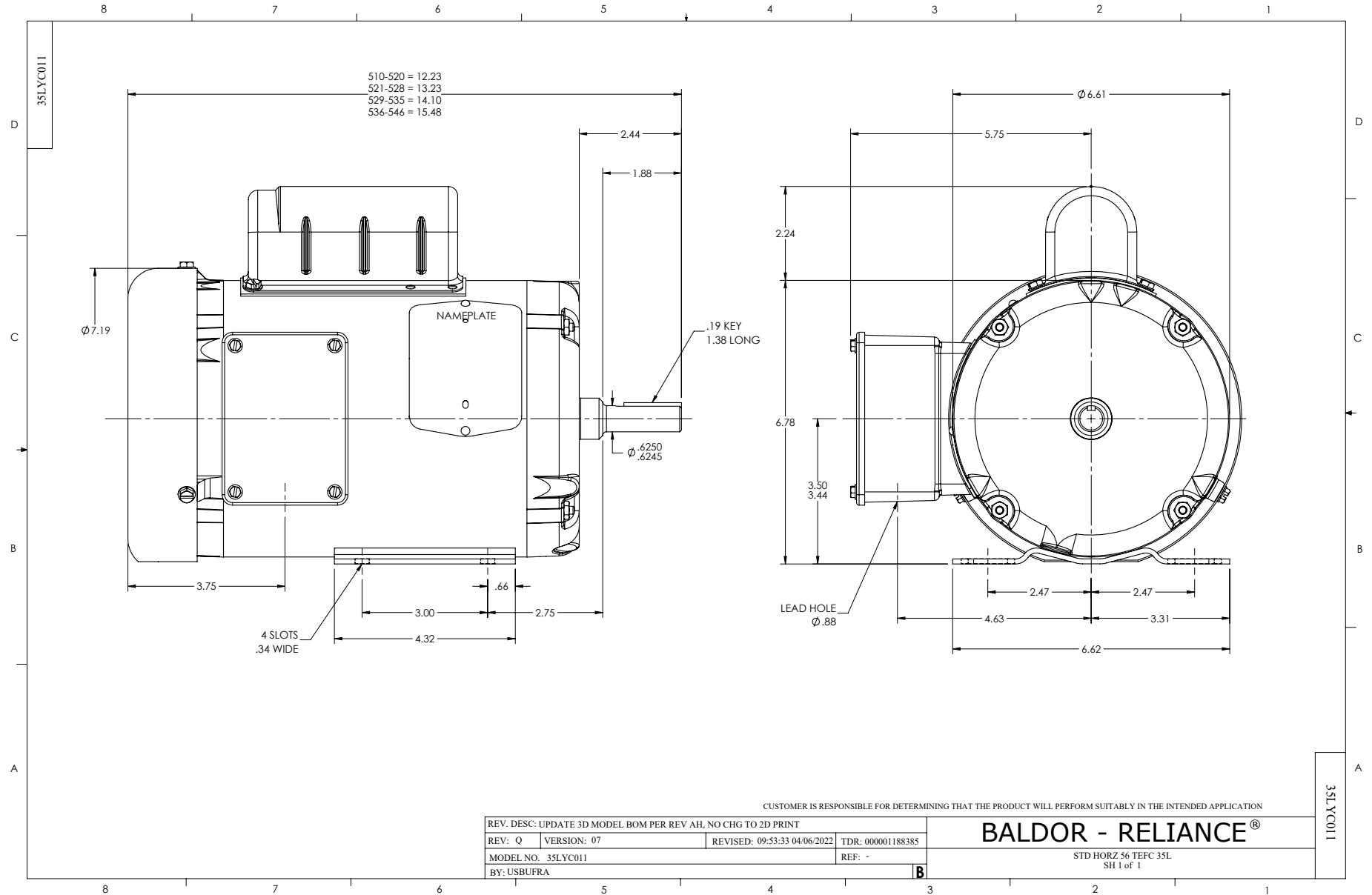
Typical performance - not guaranteed values.

0.25 HP 1 PH 60 HZ 1150 RPM 115 V 3526L

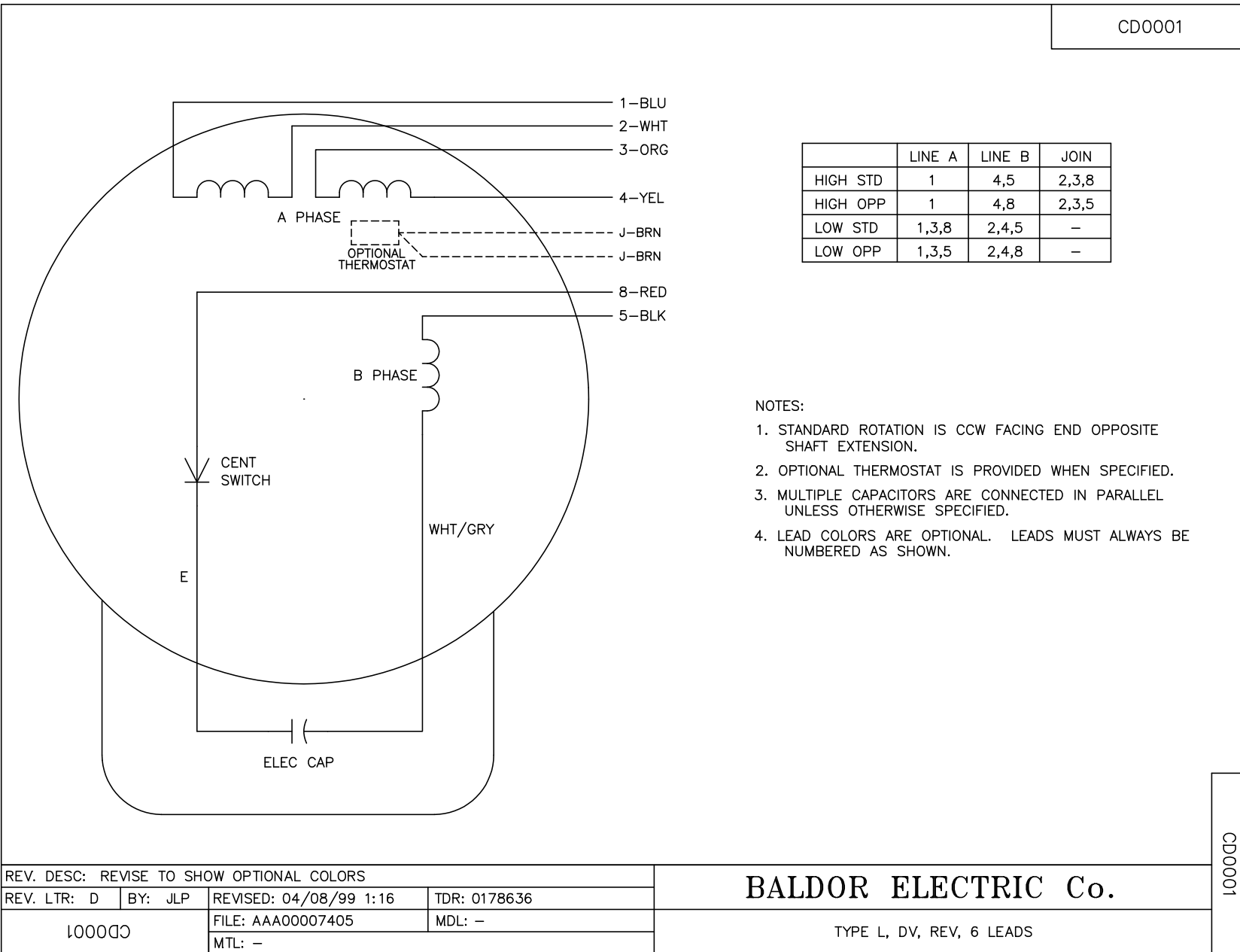
TORQUES (LB-FT) : PO=4.6 PU=5.2 LR=9.4 LRA=28.2



7/8/2026 ACPERF, record # 107062



CD0001



	LINE A	LINE B	JOIN
HIGH STD	1	4,5	2,3,8
HIGH OPP	1	4,8	2,3,5
LOW STD	1,3,8	2,4,5	-
LOW OPP	1,3,5	2,4,8	-

- NOTES:
1. STANDARD ROTATION IS CCW FACING END OPPOSITE SHAFT EXTENSION.
 2. OPTIONAL THERMOSTAT IS PROVIDED WHEN SPECIFIED.
 3. MULTIPLE CAPACITORS ARE CONNECTED IN PARALLEL UNLESS OTHERWISE SPECIFIED.
 4. LEAD COLORS ARE OPTIONAL. LEADS MUST ALWAYS BE NUMBERED AS SHOWN.

CD0001

REV. DESC: REVISE TO SHOW OPTIONAL COLORS			
REV. LTR: D	BY: JLP	REVISED: 04/08/99 1:16	TDR: 0178636
100000		FILE: AAA00007405	MDL: -
		MTL: -	

BALDOR ELECTRIC Co.

TYPE L, DV, REV, 6 LEADS