

# **ABB BALDOR RELIANCE III**

---

## **Customer information packet**

### L3409

.5HP, 1725RPM, 1PH, 60HZ, 48, 3421L, TEFC, F1

Class - None

Division - Not Applicable

**Specifications**

<b>Enclosure</b>	TEFC
<b>Frame</b>	48
<b>Frame Material</b>	Steel
<b>Frequency</b>	60.00 Hz
<b>Haz Area Class and Group</b>	None
<b>Haz Area Division</b>	Not Applicable
<b>Motor Letter Type</b>	Cap Start, Induction Run
<b>Output @ Frequency</b>	.500 HP @ 60 HZ
<b>Phase</b>	1
<b>Synchronous Speed @ Frequency</b>	1800 RPM @ 60 HZ
<b>Voltage @ Frequency</b>	230.0 V @ 60 HZ 115.0 V @ 60 HZ
<b>Agency Approvals</b>	C UR US
<b>Ambient Temperature</b>	40 °C
<b>Auxiliary Box</b>	NO AUXILLARY BOX
<b>Auxiliary Box Lead Termination</b>	None
<b>Base Indicator</b>	Rigid
<b>Bearing Grease Type</b>	Polyrex EM (-20F +300F)
<b>Blower</b>	None
<b>Current @ Voltage</b>	7.400 A @ 115.0 V 4.300 A @ 208.0 V 3.700 A @ 230.0 V
<b>Design Code</b>	N
<b>Drip Cover</b>	No Drip Cover
<b>Duty Rating</b>	CONT
<b>Efficiency @ 100% Load</b>	68.0 %
<b>Electrically Isolated Bearing</b>	Not Electrically Isolated
<b>Feedback Device</b>	NO FEEDBACK
<b>Front Face Code</b>	Standard
<b>Front Shaft Indicator</b>	None
<b>Heater Indicator</b>	No Heater
<b>High Voltage Full Load Amps</b>	3.7 a

**Part Detail**

<b>Revision</b>	AL
<b>Type</b>	AC
<b>Mech. spec.</b>	34C051
<b>Base</b>	
<b>Status</b>	PRD/A
<b>Elec. spec.</b>	34WG5422
<b>Layout</b>	34LYC051
<b>Eff. date</b>	12-30-2024
<b>CD Diagram</b>	CD0001
<b>Poles</b>	04
<b>Leads</b>	6#18
<b>Proprietary</b>	False
<b>Created date</b>	01-01-0001

<b>Insulation Class</b>	B
<b>Inverter Code</b>	Not Inverter
<b>IP Rating</b>	NONE
<b>KVA Code</b>	J
<b>Lifting Lugs</b>	No Lifting Lugs
<b>Locked Bearing Indicator</b>	No Locked Bearing
<b>Motor Lead Exit</b>	Ko Box
<b>Motor Lead Quantity/Wire Size</b>	6 @ 18 AWG
<b>Motor Lead Termination</b>	Flying Leads
<b>Motor Standards</b>	NEMA
<b>Motor Type</b>	3421L
<b>Mounting Arrangement</b>	F1
<b>Number of Poles</b>	4
<b>Overall Length</b>	11.34 IN
<b>Power Factor</b>	66
<b>Product Family</b>	General Purpose
<b>Pulley End Bearing Type</b>	Ball
<b>Pulley Face Code</b>	Standard
<b>Pulley Shaft Indicator</b>	Standard
<b>Rodent Screen</b>	None
<b>RoHS Status</b>	ROHS COMPLIANT
<b>Service Factor</b>	1.25
<b>Shaft Diameter</b>	0.500 IN
<b>Shaft Extension Location</b>	Pulley End
<b>Shaft Ground Indicator</b>	No Shaft Grounding
<b>Shaft Rotation</b>	Reversible
<b>Shaft Slinger Indicator</b>	No Slinger
<b>Speed</b>	1725 rpm
<b>Speed Code</b>	Single Speed
<b>Starting Method</b>	Direct on line
<b>Thermal Device - Bearing</b>	None
<b>Thermal Device - Winding</b>	None
<b>Vibration Sensor Indicator</b>	No Vibration Sensor
<b>Winding Thermal 1</b>	None

**Winding Thermal 2**

**None**

---

**Nameplate**

<b>NP1256L</b>										
<b>CAT.NO.</b>	L3409									
<b>SPEC.</b>	34C51-5422									
<b>HP</b>	.5									
<b>VOLTS</b>	115/230									
<b>AMP</b>	7.4/3.7									
<b>RPM</b>	1725									
<b>FRAME</b>	48		<b>HZ</b>	60			<b>PH</b>	1		
<b>SER.F.</b>	1.25	<b>CODE</b>	J	<b>DES</b>	N	<b>CLASS</b>		B		
<b>NEMA-NOM-EFF</b>	68	<b>PF</b>	66							
<b>RATING</b>	40C AMB-CONT									
<b>CC</b>										
<b>DE</b>	6203		<b>ODE</b>	6203						
<b>ENCL</b>	TEFC	<b>SN</b>								
	SFA 8.2/4.1									

**Accessories**

<b>Part number</b>	<b>Description</b>	<b>Multiplier</b>
34-3900T	C-FACE KIT	A8

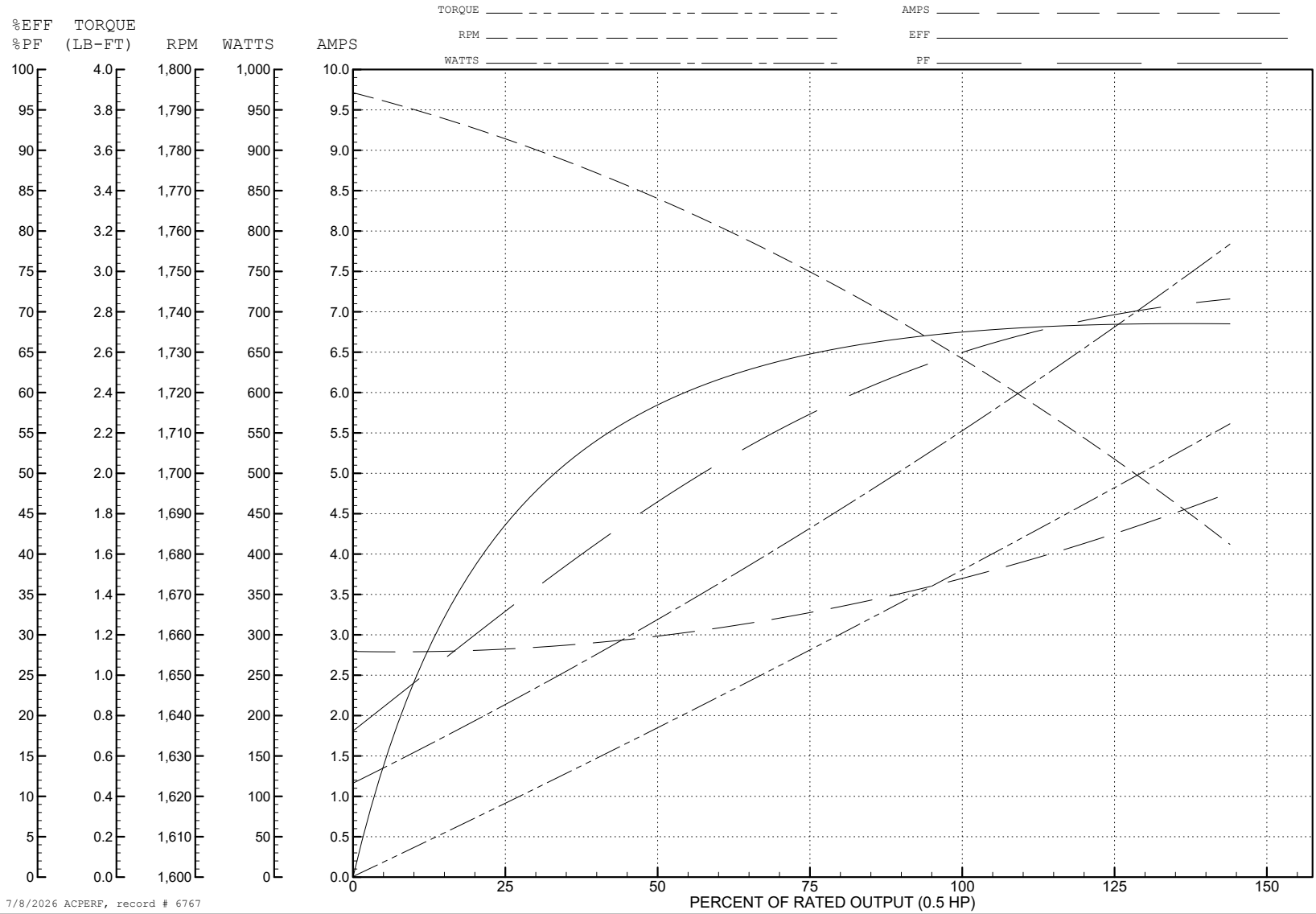
ABB Motors and Mechanical Inc.

WINDING # 34WG5422

0.5 HP 1 PH 60 HZ 1725 RPM 230 V 3421L

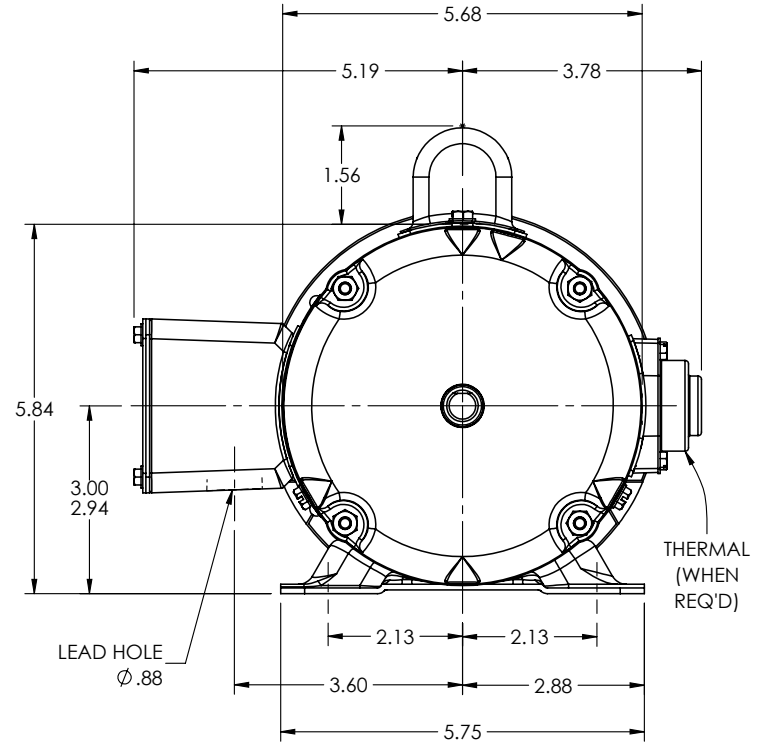
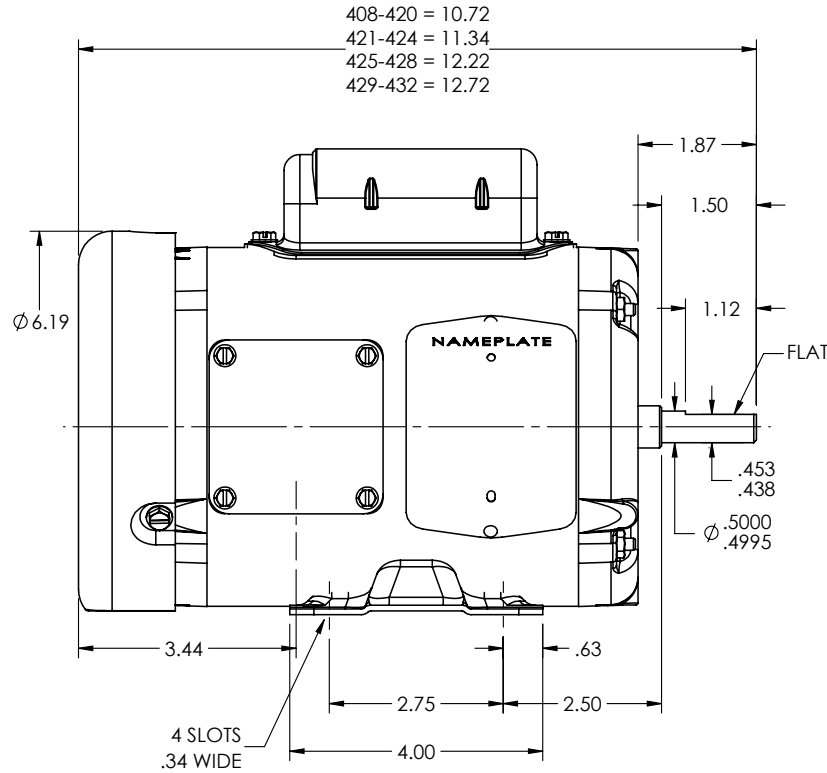
Typical performance - not guaranteed values.

TORQUES (LB-FT): PO=4.13 PU=3.6 LR=4.65 LRA=16.5



7/8/2026 ACPERP, record # 6767

34LYC051



CUSTOMER IS RESPONSIBLE FOR DETERMINING THAT THE PRODUCT WILL PERFORM SUITABLY IN THE INTENDED APPLICATION

REV. DESC: UPDATE STACK RANGE

REV: N    VERSION: 06    REVISED: 04:36:54 05/06/2024    TDR: 000001231525

34LYC051

MODEL NO. 34LYC051  
BY: ENJEFD0

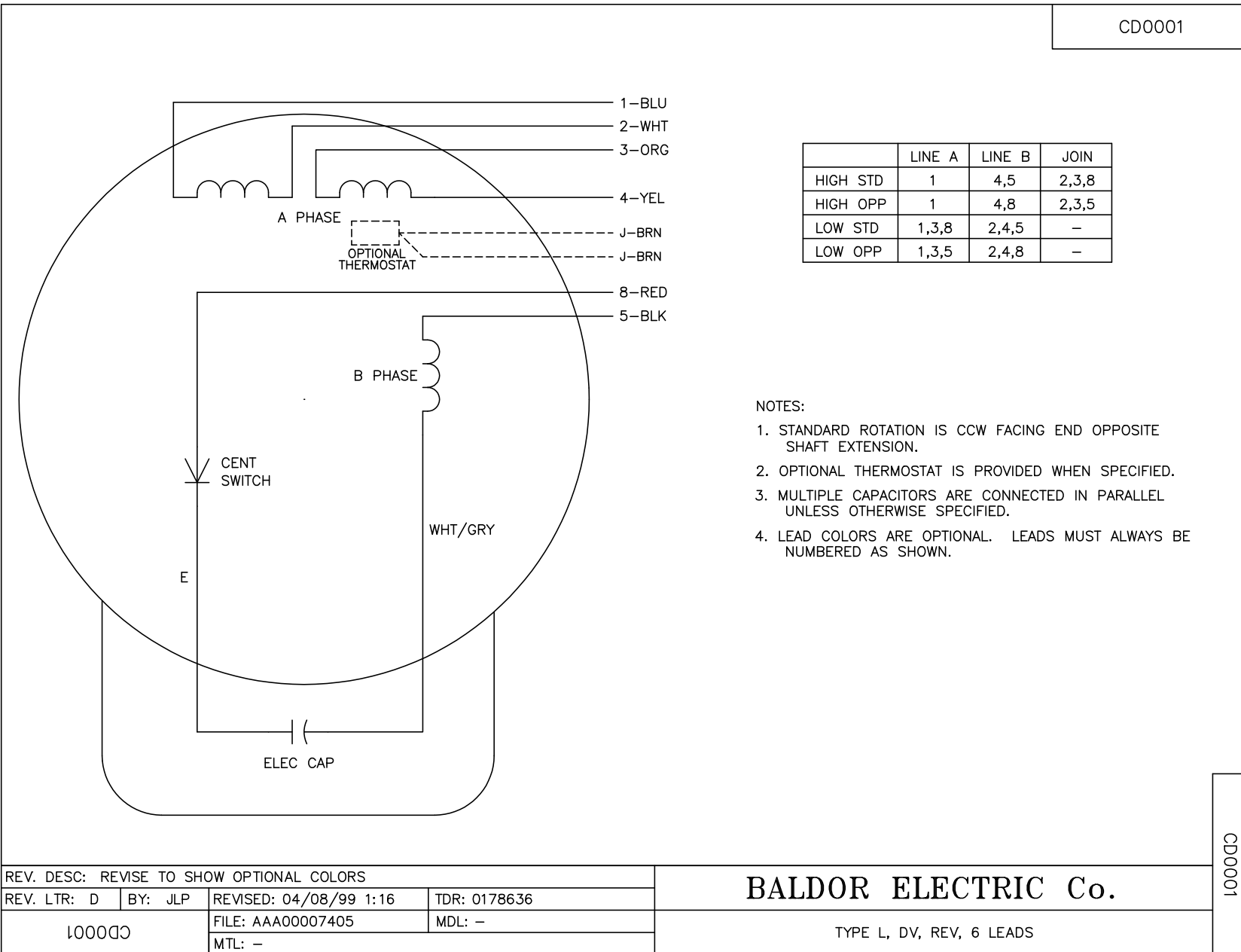
REF: -

**BALDOR - RELIANCE®**

STD HORZ MODEL 34L NEMA 48 TEFC

34LYC051

CD0001



	LINE A	LINE B	JOIN
HIGH STD	1	4,5	2,3,8
HIGH OPP	1	4,8	2,3,5
LOW STD	1,3,8	2,4,5	-
LOW OPP	1,3,5	2,4,8	-

**NOTES:**

1. STANDARD ROTATION IS CCW FACING END OPPOSITE SHAFT EXTENSION.
2. OPTIONAL THERMOSTAT IS PROVIDED WHEN SPECIFIED.
3. MULTIPLE CAPACITORS ARE CONNECTED IN PARALLEL UNLESS OTHERWISE SPECIFIED.
4. LEAD COLORS ARE OPTIONAL. LEADS MUST ALWAYS BE NUMBERED AS SHOWN.

CD0001

REV. DESC: REVISE TO SHOW OPTIONAL COLORS			
REV. LTR: D	BY: JLP	REVISED: 04/08/99 1:16	TDR: 0178636
100000		FILE: AAA00007405	MDL: -
		MTL: -	

**BALDOR ELECTRIC Co.**

TYPE L, DV, REV, 6 LEADS