

ABB BALDOR RELIANCE III

Customer information packet L3404

.25HP, 1140RPM, 1PH, 60HZ, 48, 3421L, TEFC, F1

Class - None

Division - Not Applicable

Specifications

Enclosure	TEFC
Frame	48
Frame Material	Steel
Frequency	60.00 Hz
Haz Area Class and Group	None
Haz Area Division	Not Applicable
Motor Letter Type	Cap Start, Induction Run
Output @ Frequency	.250 HP @ 60 HZ
Phase	1
Synchronous Speed @ Frequency	1200 RPM @ 60 HZ
Voltage @ Frequency	115.0 V @ 60 HZ 230.0 V @ 60 HZ
Agency Approvals	C UR US
Ambient Temperature	40 °C
Auxiliary Box	NO AUXILLARY BOX
Auxiliary Box Lead Termination	None
Base Indicator	Rigid
Bearing Grease Type	Polyrex EM (-20F +300F)
Blower	None
Current @ Voltage	3.200 A @ 230.0 V 3.600 A @ 208.0 V 6.400 A @ 115.0 V
Design Code	N
Drip Cover	No Drip Cover
Duty Rating	CONT
Efficiency @ 100% Load	48.0 %
Electrically Isolated Bearing	Not Electrically Isolated
Feedback Device	NO FEEDBACK
Front Face Code	Standard
Front Shaft Indicator	None
Heater Indicator	No Heater
High Voltage Full Load Amps	3.2 a

Part Detail

Revision	Z
Type	AC
Mech. spec.	34C051
Base	
Status	PRD/A
Elec. spec.	34WG5613
Layout	34LYC051
Eff. date	12-30-2024
CD Diagram	CD0001
Poles	06
Leads	6#18
Proprietary	False
Created date	01-01-0001

Insulation Class	B
Inverter Code	Not Inverter
IP Rating	NONE
KVA Code	N
Lifting Lugs	No Lifting Lugs
Locked Bearing Indicator	No Locked Bearing
Motor Lead Exit	Ko Box
Motor Lead Quantity/Wire Size	6 @ 18 AWG
Motor Lead Termination	Flying Leads
Motor Standards	NEMA
Motor Type	3421L
Mounting Arrangement	F1
Number of Poles	6
Overall Length	11.34 IN
Power Factor	53
Product Family	General Purpose
Pulley End Bearing Type	Ball
Pulley Face Code	Standard
Pulley Shaft Indicator	Standard
Rodent Screen	None
Service Factor	1.35
Shaft Diameter	0.500 IN
Shaft Extension Location	Pulley End
Shaft Ground Indicator	No Shaft Grounding
Shaft Rotation	Reversible
Shaft Slinger Indicator	No Slinger
Speed	1140 rpm
Speed Code	Single Speed
Starting Method	Direct on line
Thermal Device - Bearing	None
Thermal Device - Winding	None
Vibration Sensor Indicator	No Vibration Sensor
Winding Thermal 1	None
Winding Thermal 2	None

Nameplate

NP1256L										
CAT.NO.	L3404									
SPEC.	34C51-5613									
HP	.25									
VOLTS	115/230									
AMP	6.4/3.2									
RPM	1140									
FRAME	48		HZ	60		PH	1			
SER.F.	1.35	CODE	N	DES	N	CLASS	B			
NEMA-NOM-EFF	48	PF	53							
RATING	40C AMB-CONT									
CC										
DE	6203		ODE	6203						
ENCL	TEFC	SN								
	SFA 6.8/3.4									

Accessories

Part number	Description	Multiplier
34-3900T	C-FACE KIT	A8

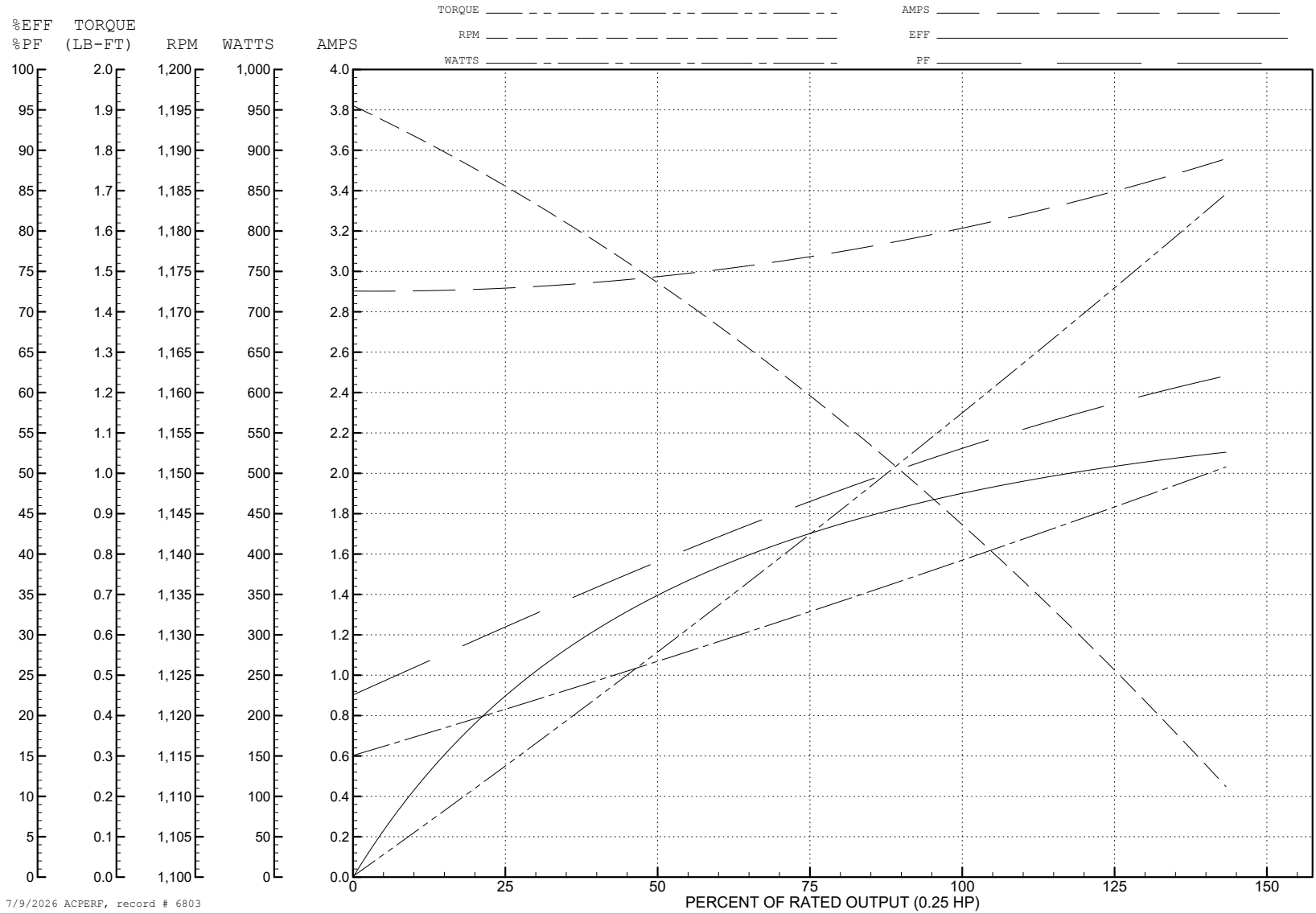
ABB Motors and Mechanical Inc.

WINDING # 34WG5613

0.25 HP 1 PH 60 HZ 1140 RPM 230 V 3421L

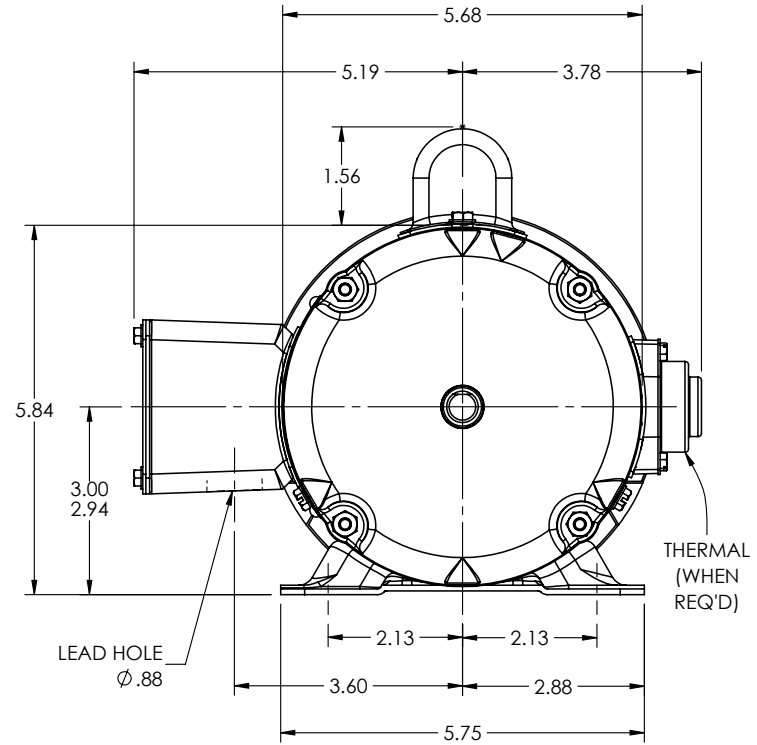
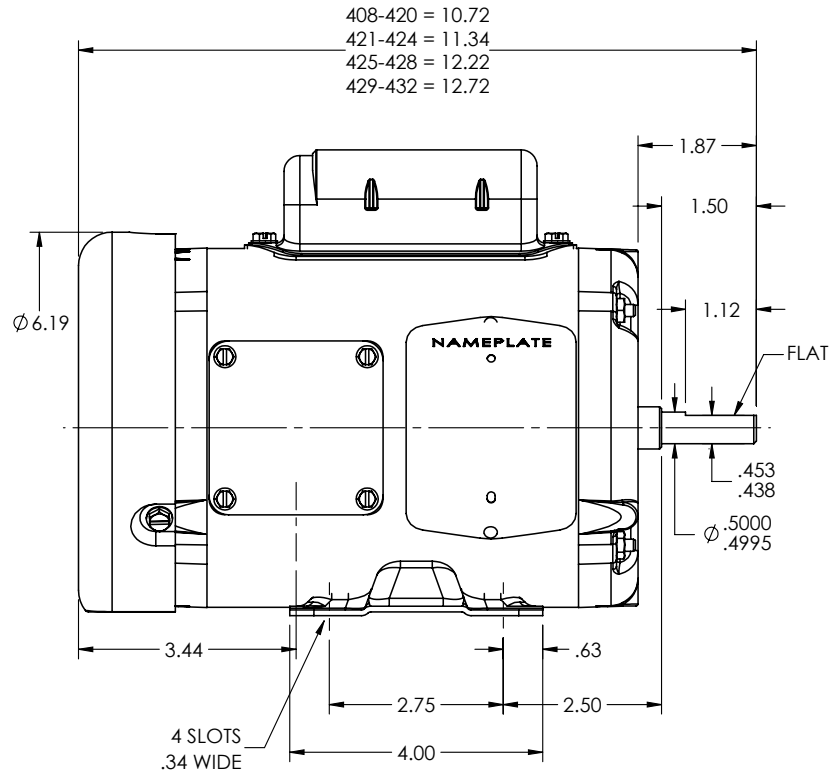
Typical performance - not guaranteed values.

TORQUES (LB-FT): PO=3.33 PU=2.83 LR=3.5 LRA=12.9



7/9/2026 ACPERF, record # 6803

34LYC051



CUSTOMER IS RESPONSIBLE FOR DETERMINING THAT THE PRODUCT WILL PERFORM SUITABLY IN THE INTENDED APPLICATION

REV. DESC: UPDATE STACK RANGE

REV: N	VERSION: 06	REVISED: 04:36:54 05/06/2024	TDR: 000001231525
--------	-------------	------------------------------	-------------------

34LYC051

MODEL NO. 34LYC051
BY: ENJEFD0

REF: -

BALDOR - RELIANCE®

STD HORZ MODEL 34L NEMA 48 TEFC

34LYC051

CD0001

