

ABB BALDOR RELIANCE III

Customer information packet L3353

.13HP, 1725RPM, 1PH, 60HZ, 42, 3313L, TEFC, F1

Specifications

Enclosure	TEFC
Frame	42
Frame Material	Steel
Frequency	60.00 Hz
Motor Letter Type	Cap Start, Induction Run
Output @ Frequency	.130 HP @ 60 HZ
Phase	1
Synchronous Speed @ Frequency	1800 RPM @ 60 HZ
Voltage @ Frequency	230.0 V @ 60 HZ 115.0 V @ 60 HZ
Agency Approvals	C UR US CURUS
Ambient Temperature	40 °C
Auxiliary Box	NO AUXILLARY BOX
Auxiliary Box Lead Termination	None
Base Indicator	Rigid
Bearing Grease Type	Polyrex EM (-20F +300F)
Blower	None
Current @ Voltage	1.550 A @ 230.0 V 1.900 A @ 208.0 V 3.100 A @ 115.0 V
Design Code	-
Drip Cover	No Drip Cover
Duty Rating	CONT
Efficiency @ 100% Load	47.0 %
Electrically Isolated Bearing	Not Electrically Isolated
Feedback Device	NO FEEDBACK
Feedback Signal	NONE
Front Face Code	Standard
Front Shaft Indicator	None
Heater Indicator	No Heater
High Voltage Full Load Amps	1.6 a

Part Detail

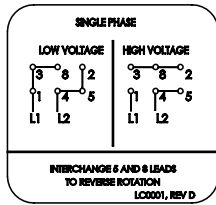
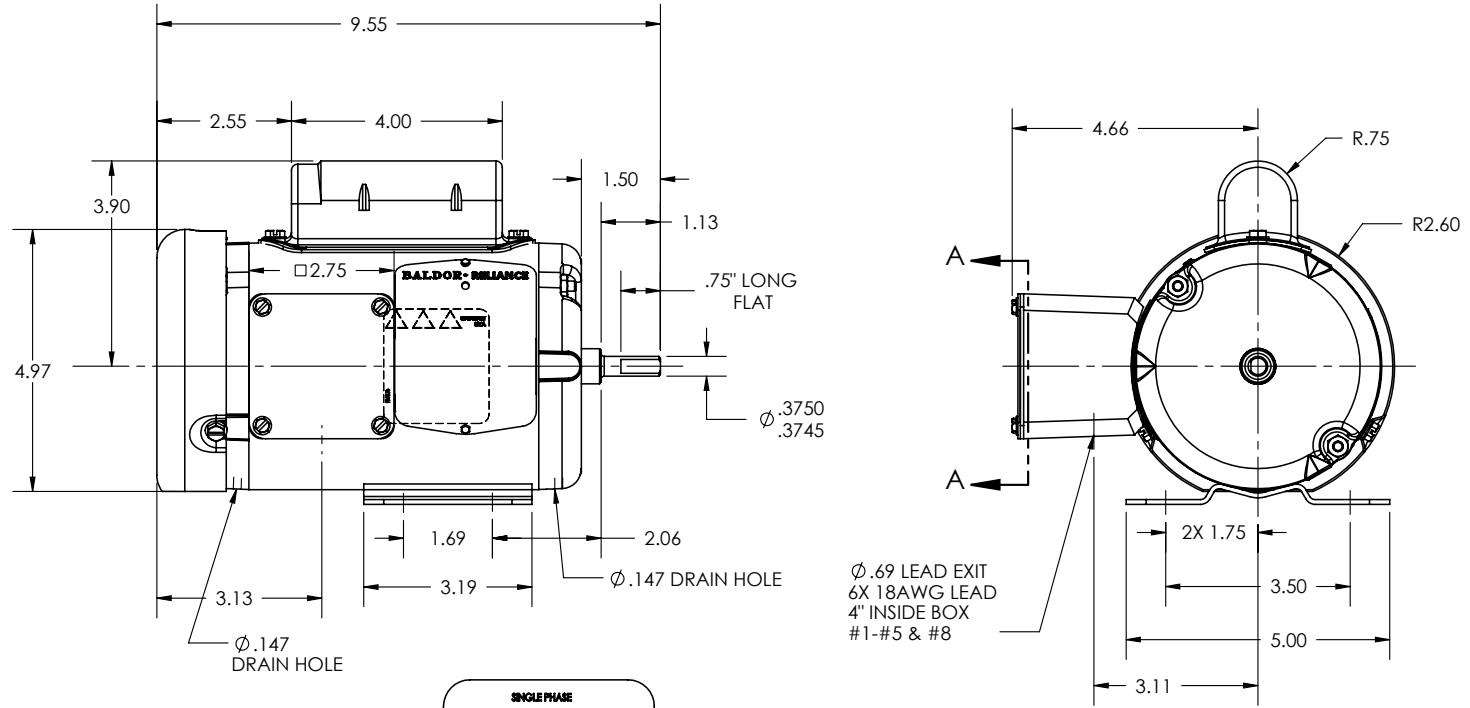
Revision	AV
Type	AC
Mech. spec.	33-850
Base	
Status	PRD/A
Elec. spec.	33WG0934
Layout	33LY0850
Eff. date	10-24-2024
CD Diagram	CD0001A10
Poles	04
Leads	6#18
Proprietary	False
Created date	06-25-2007

Insulation Class	B
Inverter Code	Not Inverter
KVA Code	M
Lifting Lugs	No Lifting Lugs
Locked Bearing Indicator	No Locked Bearing
Motor Lead Exit	Ko Box
Motor Lead Quantity/Wire Size	6 @ 18 AWG
Motor Lead Termination	Flying Leads
Motor Standards	NEMA
Motor Type	3313L
Mounting Arrangement	F1
Number of Poles	4
Overall Length	9.56 IN
Power Factor	55
Product Family	General Purpose
Pulley End Bearing Type	Ball
Pulley Face Code	Standard
Pulley Shaft Indicator	Standard
Rodent Screen	None
RoHS Status	ROHS COMPLIANT
Service Factor	1.40
Shaft Diameter	0.375 IN
Shaft Extension Location	Pulley End
Shaft Ground Indicator	No Shaft Grounding
Shaft Rotation	Reversible
Shaft Slinger Indicator	No Slinger
Speed	1725 rpm
Speed Code	Single Speed
Starting Method	Direct on line
Thermal Device - Bearing	None
Thermal Device - Winding	None
Vibration Sensor Indicator	No Vibration Sensor
Winding Thermal 1	None
Winding Thermal 2	None

Nameplate

NP1256L									
CAT.NO.	L3353								
SPEC.	33-850-934								
HP	.13								
VOLTS	115/230								
AMP	3.1/1.55								
RPM	1725								
FRAME	42		HZ	60		PH	1		
SER.F.	1.40	CODE	M	DES	-	CLASS	B		
NEMA-NOM-EFF	47	PF	55						
RATING	40C AMB-CONT								
CC									
DE	6203		ODE	6203					
ENCL	TEFC	SN							
	SFA 3.6/1.8								

33-850-934



SECTION A-A

CUSTOMER IS RESPONSIBLE FOR DETERMINING THAT BALDOR'S PRODUCT WILL PERFORM SUITABLY IN THE INTENDED APPLICATION

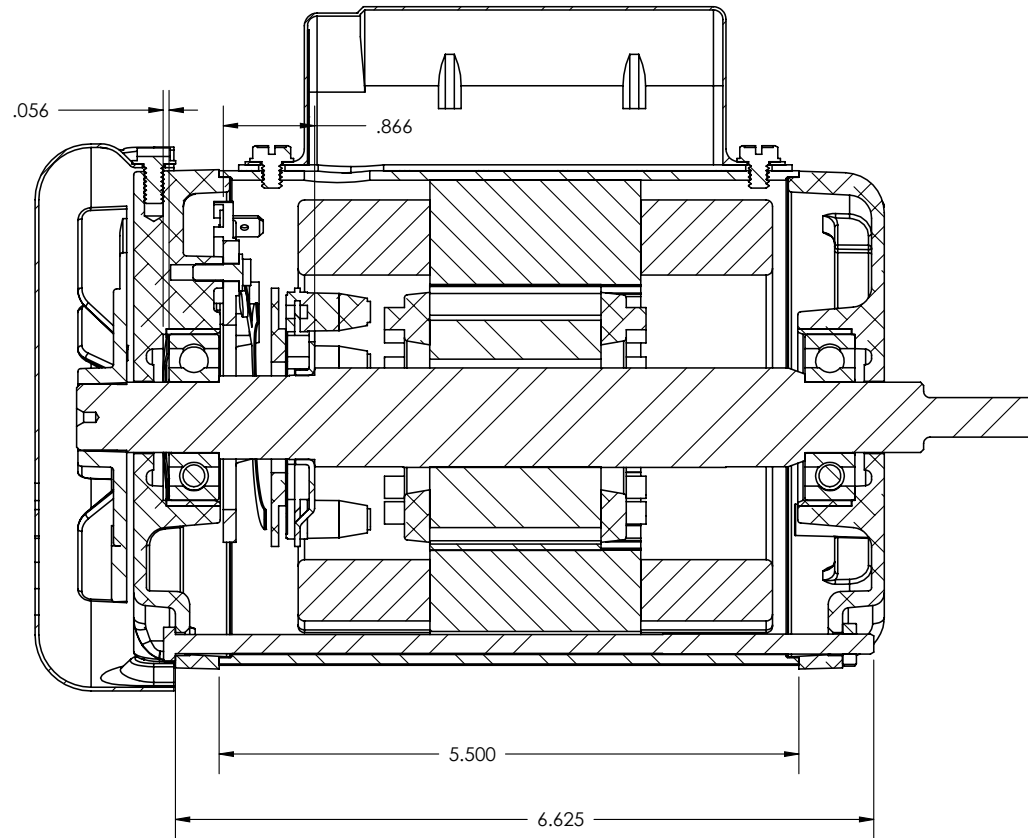
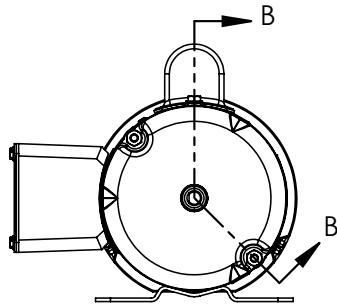
REV. DESC: CHG THRU BOLTS			
REV: A	VERSION: 01	REVISED: 09:44:52 09/19/2011	TDR: 000000712859
33-850-934	MODEL NO. 33-850	REF:	
	BY: CKAPRB0		

BALDOR

LY_33AC 13L 4P TEFC VER 42

33-850-934

33-850-934



SECTION B-B

REV. DESC: CHG THRU BOLTS

REV: A VERSION: 01 REVISED: 09:44:52 09/19/2011 TDR: 000000712859

33-850-934

MODEL NO. 33-850
BY: CKAPRB0

REF:

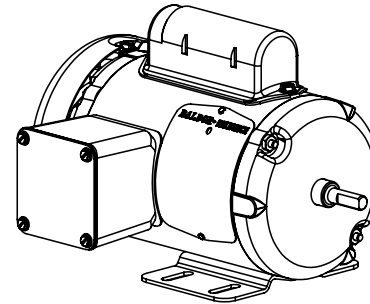
BALDOR ELECTRIC Co.

LY,33AC 13L 4P TEFC VER 42

33-850-934

ITEM NO.	PART NUMBER	33-850-934/QTY.
1	33EP3100A02	1
2	33SH7158A01	1
3	SKF - 6203 - 10,DE,NC,10_68	2
4	33RA4113A00A01	1
5	RS9005	1
6	33SA9210A32	1
7	33EP3100A01	1
8	HW5100A03	1
9	SP5073	1
10	51XB1016A07	2
11	51XB1016A04	2
12	NS2512A01	1
13	34GS1029	1
14	34CB3002A64	1
15	11XW1032G06	1
16	34GS1031A01	1
17	34CB4517	1
18	34GS3000	1
19	34CB4800	1
20	NS2500A01	1
21	33FN3000	1
22	12XN0832A16	1
23	XY1032A02	3
24	HW1003A08	1
25	33FH4001A01	1
26	LB1119	1
27	51XT0832A07	6
28	HA3100A79	2
29	99XM0440S01	2
30	51XB1016A06	3
31	NP1256	1
32	33f flex horizontal	1

33-850-934

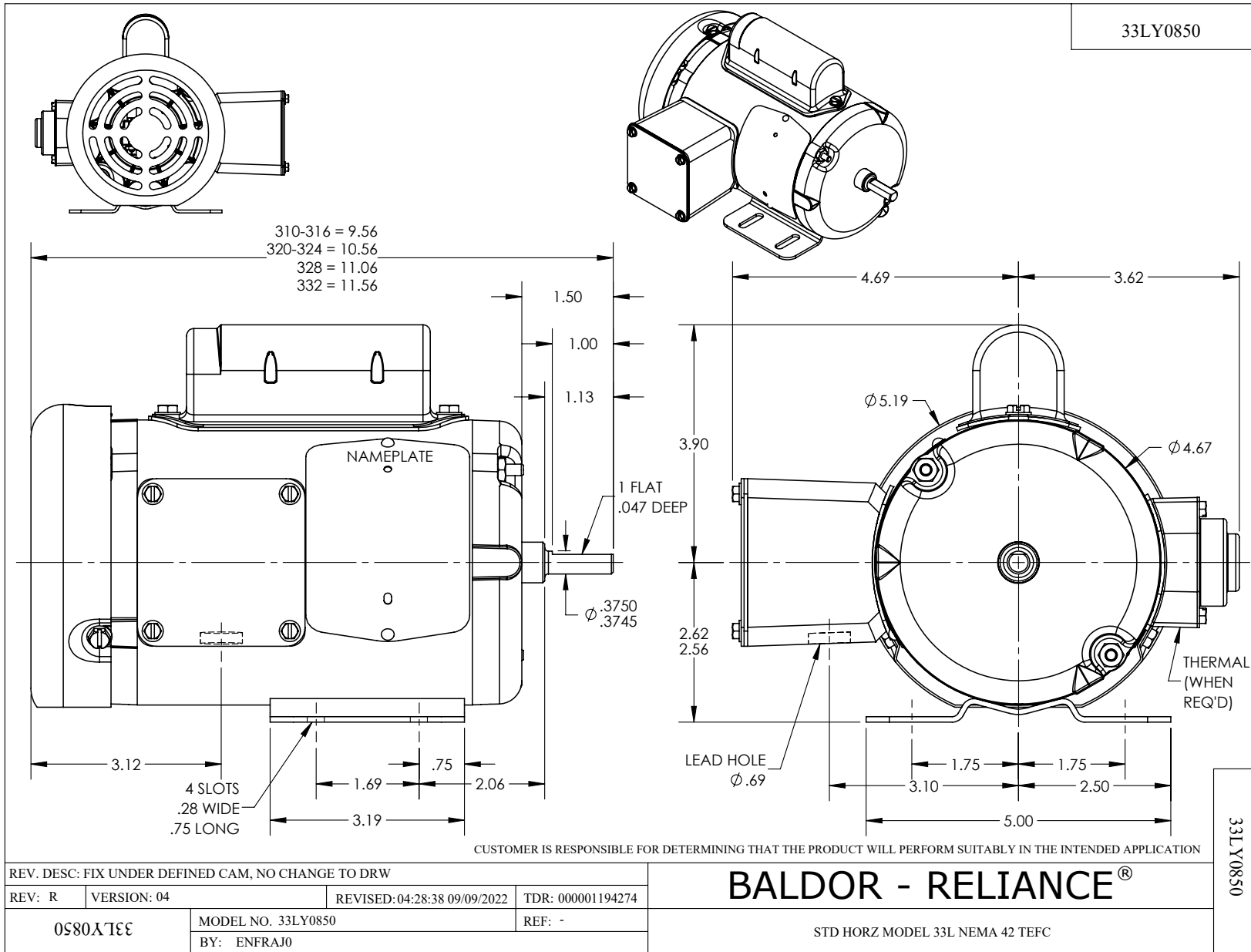


33-850-934

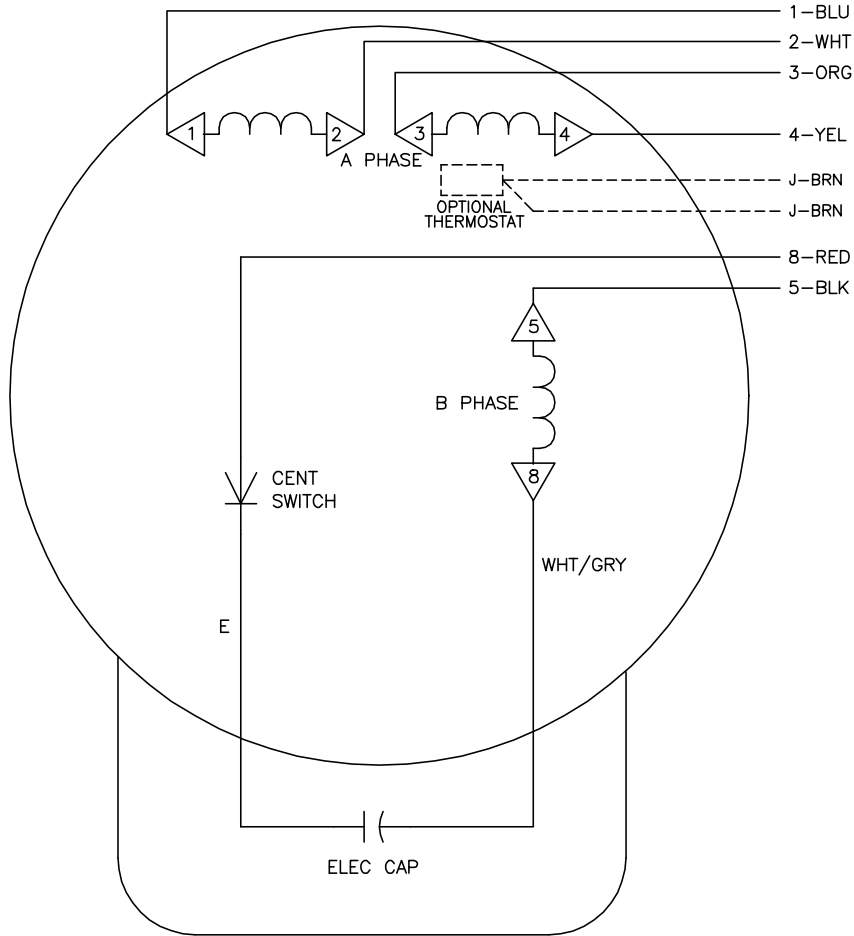
REV. DESC: CHG THRU BOLTS			
REV: A	VERSION: 01	REVISED: 09:44:52 09/19/2011	TDR: 000000712859
33-850-934		MODEL NO. 33-850	REF:
		BY: CKAPRB0	

BALDOR ELECTRIC Co.

LY,33AC 13L 4P TEFC VER 42




CD0001A10



	LINE A	LINE B	JOIN
HIGH STD	1	4,5	2,3,8
HIGH OPP	1	4,8	2,3,5
LOW STD	1,3,8	2,4,5	-
LOW OPP	1,3,5	2,4,8	-

NOTES:

1. STANDARD ROTATION IS CCW FACING LEAD END
2. OPTIONAL THERMOSTAT IS PROVIDED WHEN SPECIFIED.
3. MULTIPLE CAPACITORS ARE CONNECTED IN PARALLEL UNLESS OTHERWISE SPECIFIED.
4. LEAD COLORS ARE OPTIONAL. LEADS MUST ALWAYS BE NUMBERED AS SHOWN.
5.  = MAGNET WIRE COIL END WITH I.D. NUMBER

REV. DESC: NEW		
REV. LTR: -	VERSION: 00	TDR: 000000435106
01A10000	FILE: \CKA\00032\277	REVISED: 10:15:16 06/19/2007
	MTL: -	BY: CKNATLO

Baldor • Dodge • Reliance

TYPE L, DV, REV, 6 LD, CK

CD0001A10