

ABB BALDOR RELIANCE III

Customer information packet

L1209M

.5HP, 1725RPM, 1PH, 60HZ, 48, 3418L, OPEN, F1

Class - None

Division - Not Applicable

Specifications

Enclosure	OPEN
Frame	48
Frame Material	Steel
Frequency	60.00 Hz
Haz Area Class and Group	None
Haz Area Division	Not Applicable
Motor Letter Type	Cap Start, Induction Run
Output @ Frequency	.500 HP @ 60 HZ
Phase	1
Synchronous Speed @ Frequency	1800 RPM @ 60 HZ
Voltage @ Frequency	115.0 V @ 60 HZ 230.0 V @ 60 HZ
Agency Approvals	UR CSA
Ambient Temperature	40 °C
Auxiliary Box	NO AUXILLARY BOX
Auxiliary Box Lead Termination	None
Base Indicator	Rigid
Bearing Grease Type	Polyrex EM (-20F +300F)
Blower	None
Current @ Voltage	4.200 A @ 230.0 V 4.800 A @ 208.0 V 8.400 A @ 115.0 V
Design Code	N
Drip Cover	No Drip Cover
Duty Rating	CONT
Efficiency @ 100% Load	62.0 %
Electrically Isolated Bearing	Not Electrically Isolated
Feedback Device	NO FEEDBACK
Front Face Code	Standard
Front Shaft Indicator	None
Heater Indicator	No Heater

Part Detail

Revision	AA
Type	AC
Mech. spec.	34F001
Base	
Status	INA/A
Elec. spec.	34WG5596
Layout	34LYF001
Eff. date	03-07-2017
CD Diagram	CD0269
Poles	04
Leads	6#18,1#16 #4TH
Proprietary	False
Created date	01-01-0001

High Voltage Full Load Amps	4.2 a
Insulation Class	B
Inverter Code	Not Inverter
KVA Code	K
Lifting Lugs	No Lifting Lugs
Locked Bearing Indicator	No Locked Bearing
Motor Lead Exit	Ko Box
Motor Lead Quantity/Wire Size	6 @ 18 AWG
Motor Lead Termination	Flying Leads
Motor Standards	NEMA
Motor Type	3418L
Mounting Arrangement	F1
Number of Poles	4
Overall Length	9.38 IN
Power Factor	62
Product Family	General Purpose
Pulley End Bearing Type	Ball
Pulley Face Code	Standard
Pulley Shaft Indicator	Standard
Rodent Screen	None
RoHS Status	ROHS COMPLIANT
Service Factor	1.25
Shaft Diameter	0.500 IN
Shaft Extension Location	Pulley End
Shaft Ground Indicator	No Shaft Grounding
Shaft Rotation	Reversible
Shaft Slinger Indicator	No Slinger
Speed	1725 rpm
Speed Code	Single Speed
Starting Method	Direct on line
Thermal Device - Bearing	None
Thermal Device - Winding	None
Vibration Sensor Indicator	No Vibration Sensor
Winding Thermal 1	Manual Thermal Overload

Winding Thermal 1 Location

SB

Winding Thermal 2

None

Nameplate

NP1257L	
CAT.NO.	L1209M
SPEC.	34F01-5596
HP	.5
VOLTS	115/230
AMP	8.4/4.2
RPM	1725
FRAME	48 HZ 60 PH 1
SER.F.	1.25 CODE K DES N CL B
NEMA-NOM-EFF	62 PF 62
RATING	40C AMB-CONT
CC	
DE	6203 ODE 6203
ENCL	OPEN SN
	SFA 9.2/4.6

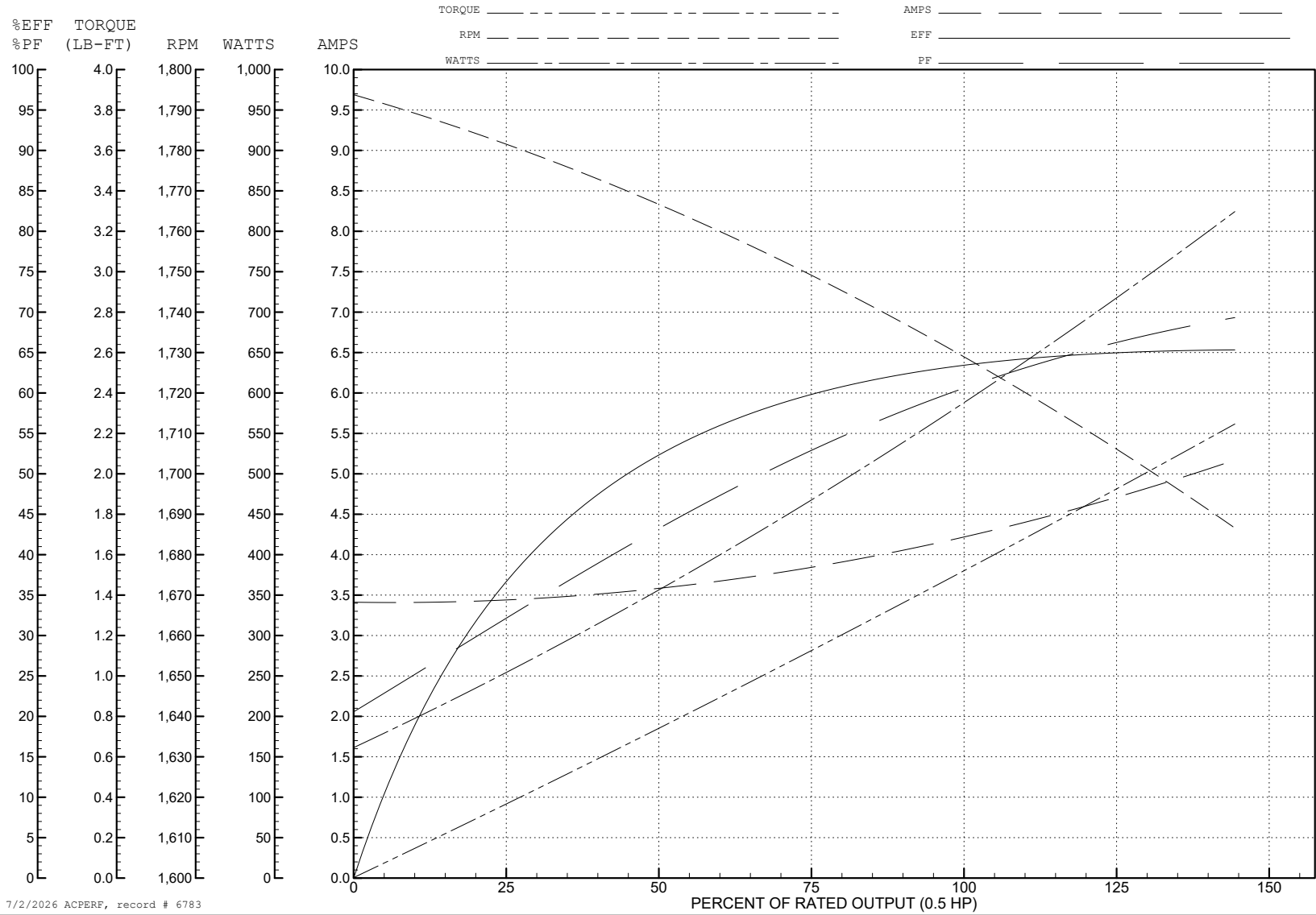
ABB Motors and Mechanical Inc.

WINDING # 34WG5596

0.5 HP 1 PH 60 HZ 1725 RPM 230 V 3418L

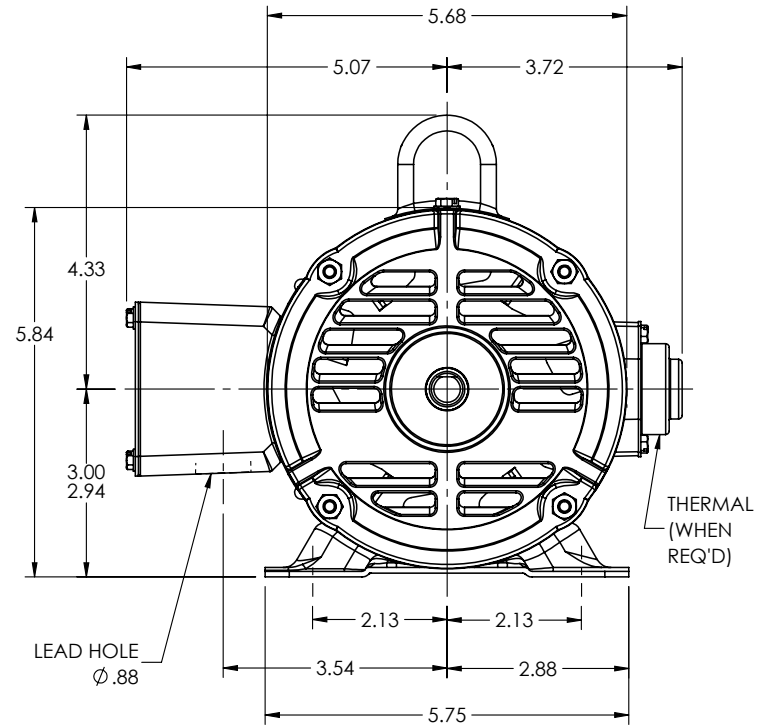
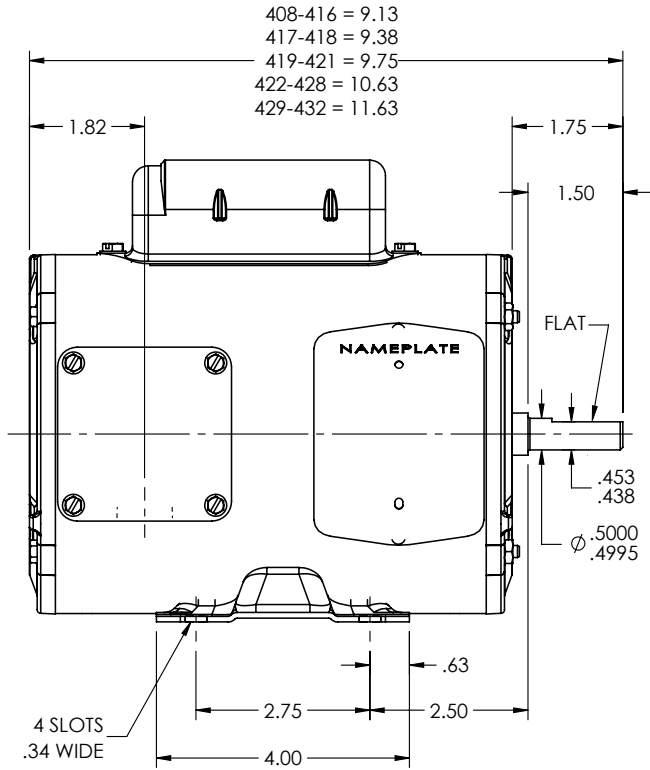
Typical performance - not guaranteed values.

TORQUES (LB-FT): PO=4.35 PU=3.75 LR=5.03 LRA=18



7/2/2026 ACPERF, record # 6783

34LYF001



CUSTOMER IS RESPONSIBLE FOR DETERMINING THAT THE PRODUCT WILL PERFORM SUITABLY IN THE INTENDED APPLICATION

REV. DESC: CLEAN UP DIMENSIONING

REV: L VERSION: 05 REVISED: 07:20:02 04/15/2025 TDR: 000001253803

34LYF001

MODEL NO. 34LYF001
BY: ENJEFD0

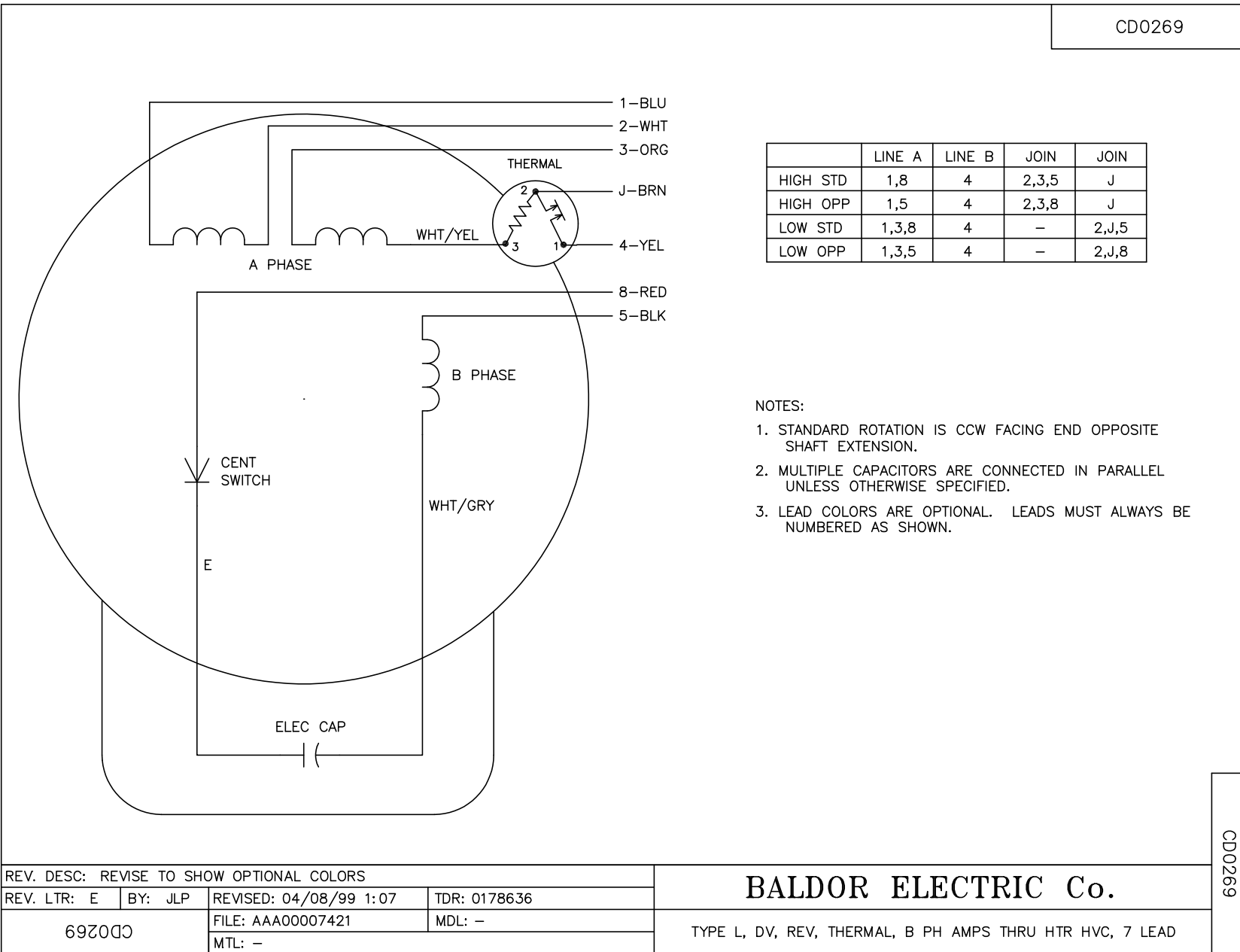
REF: -

BALDOR - RELIANCE®

STD HORZ MODEL 34L NEMA 48 OPEN

34LYF001

CD0269



	LINE A	LINE B	JOIN	JOIN
HIGH STD	1,8	4	2,3,5	J
HIGH OPP	1,5	4	2,3,8	J
LOW STD	1,3,8	4	-	2,J,5
LOW OPP	1,3,5	4	-	2,J,8

NOTES:

1. STANDARD ROTATION IS CCW FACING END OPPOSITE SHAFT EXTENSION.
2. MULTIPLE CAPACITORS ARE CONNECTED IN PARALLEL UNLESS OTHERWISE SPECIFIED.
3. LEAD COLORS ARE OPTIONAL. LEADS MUST ALWAYS BE NUMBERED AS SHOWN.

CD0269

REV. DESC: REVISE TO SHOW OPTIONAL COLORS			
REV. LTR: E	BY: JLP	REVISED: 04/08/99 1:07	TDR: 0178636
69Z0C0		FILE: AAA00007421	MDL: -
		MTL: -	

BALDOR ELECTRIC Co.

TYPE L, DV, REV, THERMAL, B PH AMPS THRU HTR HVC, 7 LEAD