



---

# Customer information packet

## L1201

.17HP, 1140RPM, 1PH, 60HZ, 48, 3418L, OPEN, F1

Class - None

Division - Not Applicable

## Specifications

Enclosure	OPEN
Frame	48
Frame Material	Steel
Frequency	60.00 Hz
Haz Area Class and Group	None
Haz Area Division	Not Applicable
Motor Letter Type	Cap Start, Induction Run
Output @ Frequency	.170 HP @ 60 HZ
Phase	1
Synchronous Speed @ Frequency	1200 RPM @ 60 HZ
Voltage @ Frequency	115.0 V @ 60 HZ 230.0 V @ 60 HZ
Agency Approvals	UR CSA
Ambient Temperature	40 °C
Auxillary Box	No Auxillary Box
Auxillary Box Lead Termination	None
Base Indicator	Rigid
Bearing Grease Type	Polyrex EM (-20F +300F)
Blower	None
Current @ Voltage	2.300 A @ 230.0 V 2.600 A @ 208.0 V 4.600 A @ 115.0 V
Design Code	N
Drip Cover	No Drip Cover
Duty Rating	CONT
Efficiency @ 100% Load	47.0 %
Electrically Isolated Bearing	Not Electrically Isolated
Feedback Device	NO FEEDBACK
Front Face Code	Standard
Front Shaft Indicator	None
Heater Indicator	No Heater

## Part detail

Revision	Z
Type	AC
Mech. spec.	34F001
Base	
Status	PRD/A
Elec. spec.	34WG5612
Layout	34LYF001
Eff. date	02-08-2024
CD Diagram	CD0001
Poles	06
Leads	6#18
Proprietary	False
Created date	01-01-0001

High Voltage Full Load Amps	2.3 a
Insulation Class	B
Inverter Code	Not Inverter
KVA Code	P
Lifting Lugs	No Lifting Lugs
Locked Bearing Indicator	No Locked Bearing
Motor Lead Exit	Ko Box
Motor Lead Quantity/Wire Size	6 @ 18 AWG
Motor Lead Termination	Flying Leads
Motor Standards	NEMA
Motor Type	3418L
Mounting Arrangement	F1
Number of Poles	6
Overall Length	9.38 IN
Power Factor	52
Product Family	General Purpose
Pulley End Bearing Type	Ball
Pulley Face Code	Standard
Pulley Shaft Indicator	Standard
Rodent Screen	None
RoHS Status	ROHS COMPLIANT
Service Factor	1.35
Shaft Diameter	0.500 IN
Shaft Extension Location	Pulley End
Shaft Ground Indicator	No Shaft Grounding
Shaft Rotation	Reversible
Shaft Slinger Indicator	No Slinger
Speed	1140 rpm
Speed Code	Single Speed
Starting Method	Direct on line
Thermal Device - Bearing	None
Thermal Device - Winding	None
Vibration Sensor Indicator	No Vibration Sensor
Winding Thermal 1	None

**Winding Thermal 2**

**None**

---

**Nameplate**

<b>NP1256L</b>									
<b>CAT.NO.</b>	L1201								
<b>SPEC.</b>	34F01-5612								
<b>HP</b>	.17								
<b>VOLTS</b>	115/230								
<b>AMP</b>	4.6/2.3								
<b>RPM</b>	1140								
<b>FRAME</b>	48		<b>HZ</b>	60		<b>PH</b>	1		
<b>SER.F.</b>	1.35	<b>CODE</b>	P	<b>DES</b>	N	<b>CLASS</b>	B		
<b>NEMA-NOM-EFF</b>	47	<b>PF</b>	52						
<b>RATING</b>	40C AMB-CONT								
<b>CC</b>									
<b>DE</b>	6203		<b>ODE</b>	6203					
<b>ENCL</b>	OPEN	<b>SN</b>							
	SFA 5/2.5								

**AC Induction Motor Performance Data**

Record # 6800

Typical performance - not guaranteed values

<b>Winding:</b> 34WG5612-R001		<b>Type:</b> 3418L		<b>Enclosure:</b> OPEN	
<b>Nameplate Data</b>			<b>230 V, 60 Hz: High Voltage Connection</b>		
<b>Rated Output (HP)</b>	.17		<b>Full Load Torque</b>	0.75 LB-FT	
<b>Volts</b>	115/230		<b>Start Configuration</b>	direct on line	
<b>Full Load Amps</b>	4.6/2.3		<b>Breakdown Torque</b>	2.18 LB-FT	
<b>R.P.M.</b>	1140		<b>Pull-up Torque</b>	1.84 LB-FT	
<b>Hz</b>	<b>60 Phase</b>	1	<b>Locked-rotor Torque</b>	2.33 LB-FT	
<b>NEMA Design Code</b>	<b>N KVA Code</b>	P	<b>Starting Current</b>	9.5 A	
<b>Service Factor (S.F.)</b>	1.35		<b>No-load Current</b>	2.1 A	
<b>NEMA Nom. Eff.</b>	<b>47 Power Factor</b>	52	<b>Line-line Res. @ 25°C</b>	11.6 Ω A Ph 10.4 Ω B Ph	
<b>Rating - Duty</b>	40C AMB-CONT		<b>Temp. Rise @ Rated Load</b>	43°C	
<b>S.F. Amps</b>	5/2.5		<b>Temp. Rise @ S.F. Load</b>	51°C	

**Load Characteristics 230 V, 60 Hz, 0.17 HP**

<b>% of Rated Load</b>	<b>25</b>	<b>50</b>	<b>75</b>	<b>100</b>	<b>125</b>	<b>150</b>	<b>S.F.</b>
<b>Power Factor</b>	31	39	45	52	58	64	62
<b>Efficiency</b>	19	34	42	47	50	51	50.5
<b>Speed</b>	1185	1175	1160	1150	1135	1120	1125
<b>Line amperes</b>	2.1	2.15	2.2	2.3	2.4	2.7	2.5

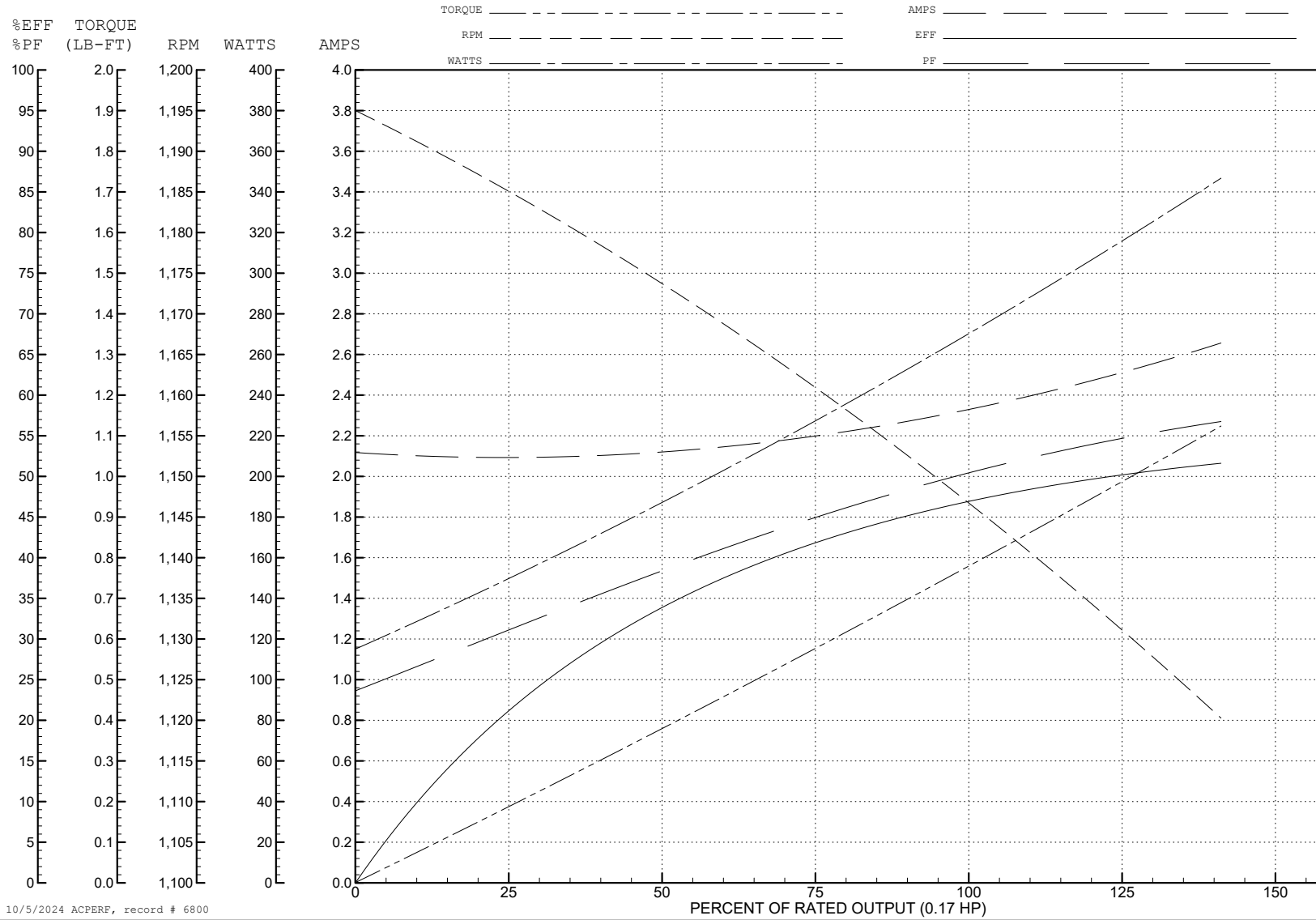
ABB Motors and Mechanical Inc.

WINDING # 34WG5612

Typical performance - not guaranteed values.

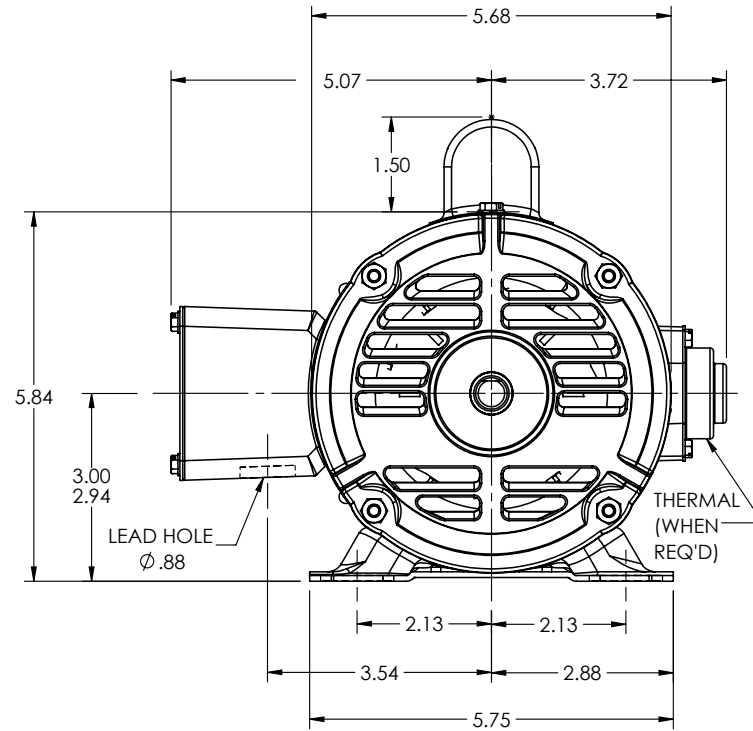
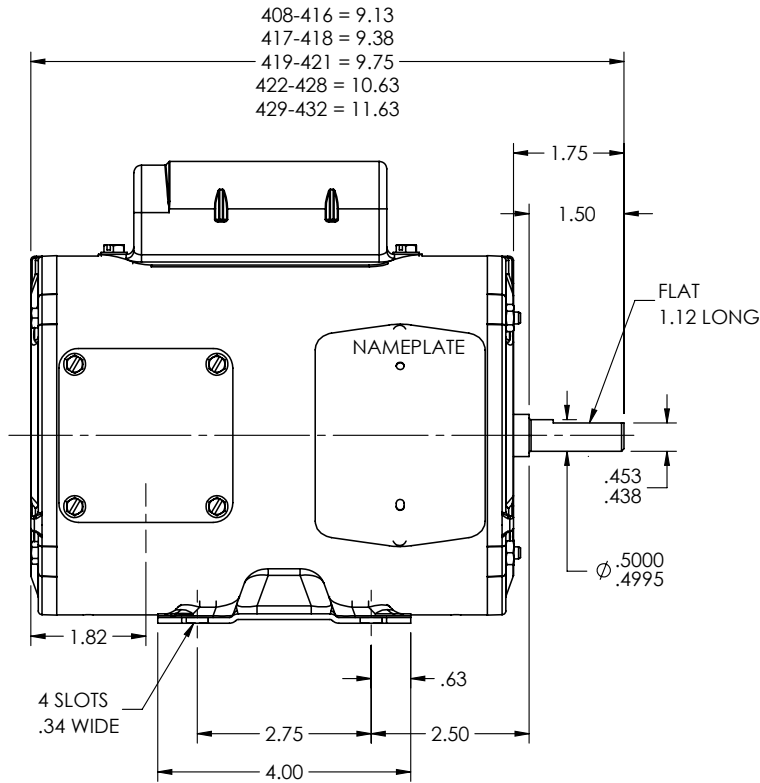
0.17 HP 1 PH 60 HZ 1140 RPM 230 V 3418L

TORQUES (LB-FT): PO=2.18 PU=1.84 LR=2.33 LRA=9.5



10/5/2024 ACPERF, record # 6800

34LYF001



CUSTOMER IS RESPONSIBLE FOR DETERMINING THAT THE PRODUCT WILL PERFORM SUITABLY IN THE INTENDED APPLICATION

REV. DESC: LOAD TO SOLIDWORKS

REV: K    VERSION: 04    REVISED: 01:16:59 08/08/2022    TDR: 000001194274

34LYF001

MODEL NO. 34LYF001  
 BY: ENFRAJ0

REF: -

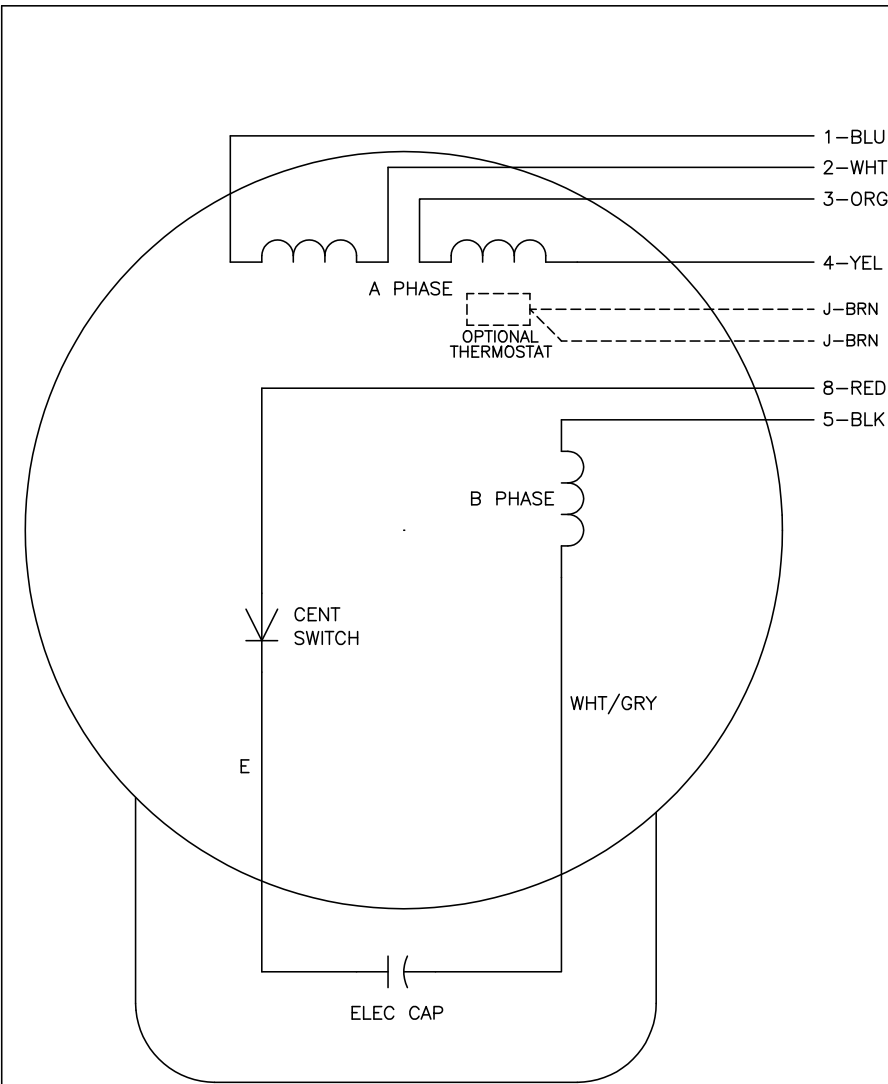
**BALDOR - RELIANCE®**

STD HORZ MODEL 34L NEMA 48 OPEN

34LYF001



CD0001



	LINE A	LINE B	JOIN
HIGH STD	1	4,5	2,3,8
HIGH OPP	1	4,8	2,3,5
LOW STD	1,3,8	2,4,5	-
LOW OPP	1,3,5	2,4,8	-

**NOTES:**

1. STANDARD ROTATION IS CCW FACING END OPPOSITE SHAFT EXTENSION.
2. OPTIONAL THERMOSTAT IS PROVIDED WHEN SPECIFIED.
3. MULTIPLE CAPACITORS ARE CONNECTED IN PARALLEL UNLESS OTHERWISE SPECIFIED.
4. LEAD COLORS ARE OPTIONAL. LEADS MUST ALWAYS BE NUMBERED AS SHOWN.

CD0001

REV. DESC: REVISE TO SHOW OPTIONAL COLORS			
REV. LTR: D	BY: JLP	REVISED: 04/08/99 1:16	TDR: 0178636
100000		FILE: AAA00007405	MDL: -
		MTL: -	

**BALDOR ELECTRIC Co.**

TYPE L, DV, REV, 6 LEADS