

BALDOR • RELIANCE

Customer information packet

KM3454

.25HP, 1735RPM, 3PH, 60HZ, 56C, 3410M, TEFC, F1

Class - None

Division - Not Applicable

Specifications

Enclosure	TEFC
Frame	56C
Frame Material	Steel
Frequency	60.00 Hz
Haz Area Class and Group	None
Haz Area Division	Not Applicable
Motor Letter Type	Three Phase
Output @ Frequency	.250 HP @ 60 HZ
Phase	3
Synchronous Speed @ Frequency	1800 RPM @ 60 HZ
Voltage @ Frequency	230.0 V @ 60 HZ 460.0 V @ 60 HZ
Agency Approvals	CSA UR
Ambient Temperature	40 °C
Auxillary Box	No Auxillary Box
Auxillary Box Lead Termination	None
Base Indicator	No Mounting
Bearing Grease Type	Polyrex EM (-20F +300F)
Blower	None
Current @ Voltage	.600 A @ 460.0 V 1.100 A @ 208.0 V 1.200 A @ 230.0 V
Design Code	B
Drip Cover	No Drip Cover
Duty Rating	CONT
Efficiency @ 100% Load	62.0 %
Electrically Isolated Bearing	Not Electrically Isolated
Feedback Device	NO FEEDBACK
Front Shaft Indicator	None
Heater Indicator	No Heater
High Voltage Full Load Amps	0.6 a

Part detail

Revision	A
Type	AC
Mech. spec.	34A063
Base	
Status	PRD/A
Elec. spec.	34WGR713
Layout	34LYA063
Eff. date	02-08-2024
CD Diagram	CD0005
Poles	04
Leads	9#18
Proprietary	False
Created date	11-20-2020

Insulation Class	B
Inverter Code	Not Inverter
KVA Code	L
Lifting Lugs	No Lifting Lugs
Locked Bearing Indicator	Locked Bearing
Motor Lead Quantity/Wire Size	9 @ 18 AWG
Motor Lead Termination	Flying Leads
Motor Standards	NEMA
Motor Type	3410M
Mounting Arrangement	F1
Number of Poles	4
Overall Length	11.35 IN
Power Factor	63
Product Family	General Purpose
Pulley End Bearing Type	Ball
Pulley Face Code	C-Face
Pulley Shaft Indicator	Standard
Rodent Screen	None
RoHS Status	ROHS COMPLIANT
Service Factor	1.35
Shaft Diameter	0.625 IN
Shaft Ground Indicator	No Shaft Grounding
Shaft Rotation	Reversible
Shaft Slinger Indicator	No Slinger
Speed	1735 rpm
Speed Code	Single Speed
Starting Method	Direct on line
Thermal Device - Bearing	None
Thermal Device - Winding	None
Vibration Sensor Indicator	No Vibration Sensor
Winding Thermal 1	None
Winding Thermal 2	None

Nameplate

NP1256L									
CAT.NO.	KM3454								
SPEC.	34A063R713								
HP	.25								
VOLTS	230/460								
AMP	1.2/.6								
RPM	1735								
FRAME	56C		HZ	60		PH	3		
SER.F.	1.35	CODE	L	DES	B	CLASS	B		
NEMA-NOM-EFF	62	PF	63						
RATING	40C AMB-CONT								
CC									
DE	6203		ODE	6203					
ENCL	TEFC	SN							
	SFA 1.32/0.66A								

AC Induction Motor Performance Data

Record # 85600

Preliminary Data Sheet

Winding: 34WGR713-R001		Type: 3410M		Enclosure: TEFC	
Nameplate Data			460 V, 60 Hz: High Voltage Connection		
Rated Output (HP)	0.25	Full Load Torque	0.76 LB-FT		
Volts	230/460	Start Configuration	direct on line		
Full Load Amps	1.2/0.6	Breakdown Torque	2.77 LB-FT		
R.P.M.	1735	Pull-up Torque	1.83 LB-FT		
Hz	60 Phase	3	Locked-rotor Torque	2.03 LB-FT	
NEMA Design Code	B KVA Code	L	Starting Current	2.89 A	
Service Factor (S.F.)	1.35		No-load Current	0.545 A	
NEMA Nom. Eff.	63.4 Power Factor	63	Line-line Res. @ 25°C	98.9 Ω	
Rating - Duty	40C AMB-CONT		Temp. Rise @ Rated Load	57°C	
S.F. Amps	1.32/0.66		Temp. Rise @ S.F. Load	70°C	
			Locked-rotor Power Factor	84.1	
			Rotor inertia	0.0238 lb-ft ²	

Load Characteristics 460 V, 60 Hz, 0.25 HP

% of Rated Load	25	50	75	100	125	150	S.F.
Power Factor	33	43	54	63	71	78	75
Efficiency	34.9	50.2	58.6	63.4	65.6	66.1	65.8
Speed	1781	1767	1751	1733	1713	1690	1697
Line amperes	0.547	0.552	0.568	0.598	0.64	0.695	0.662

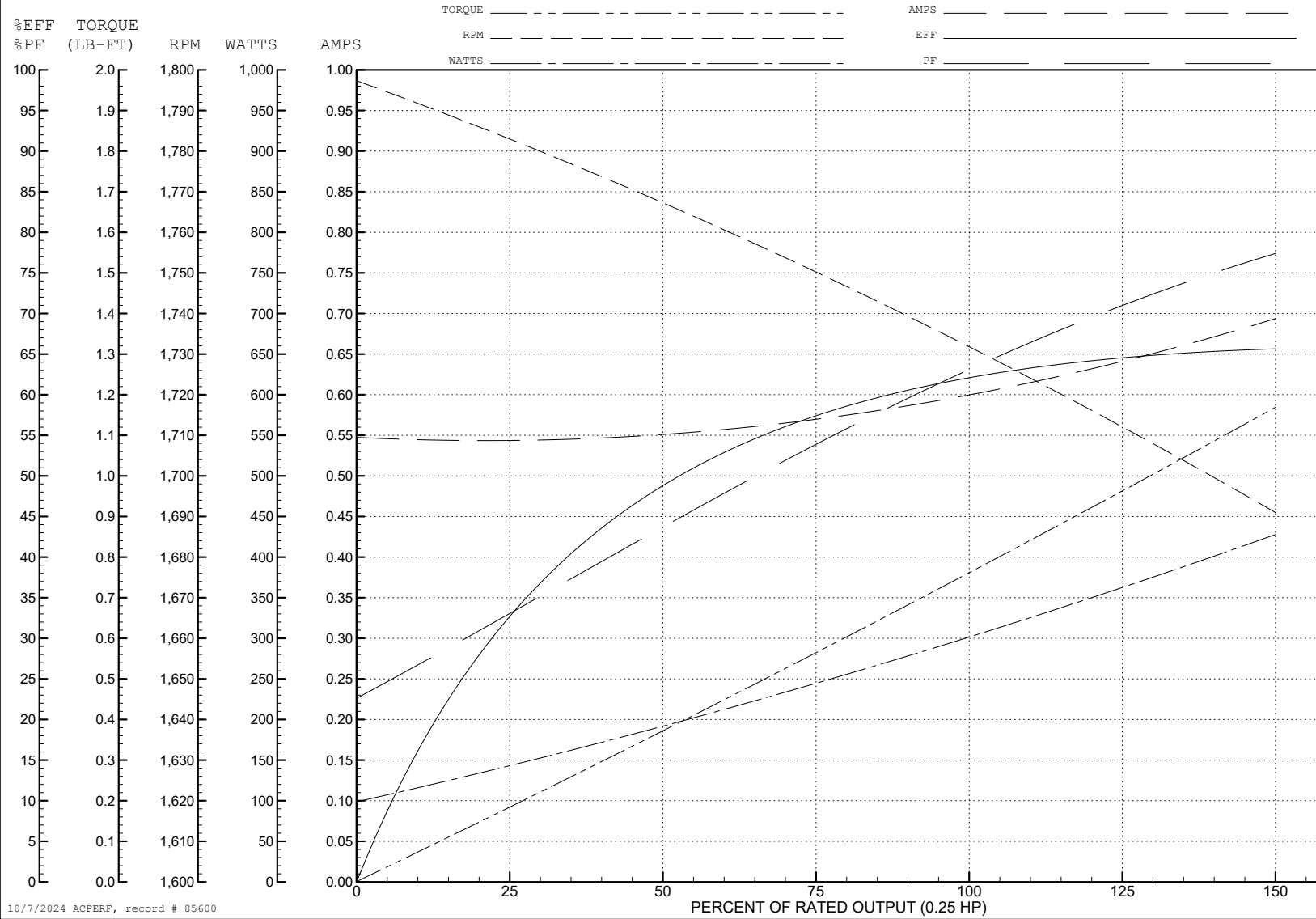
ABB Motors and Mechanical Inc.

WINDING # 34WGR713

0.25 HP 3 PH 60 HZ 1735 RPM 460 V 3410M

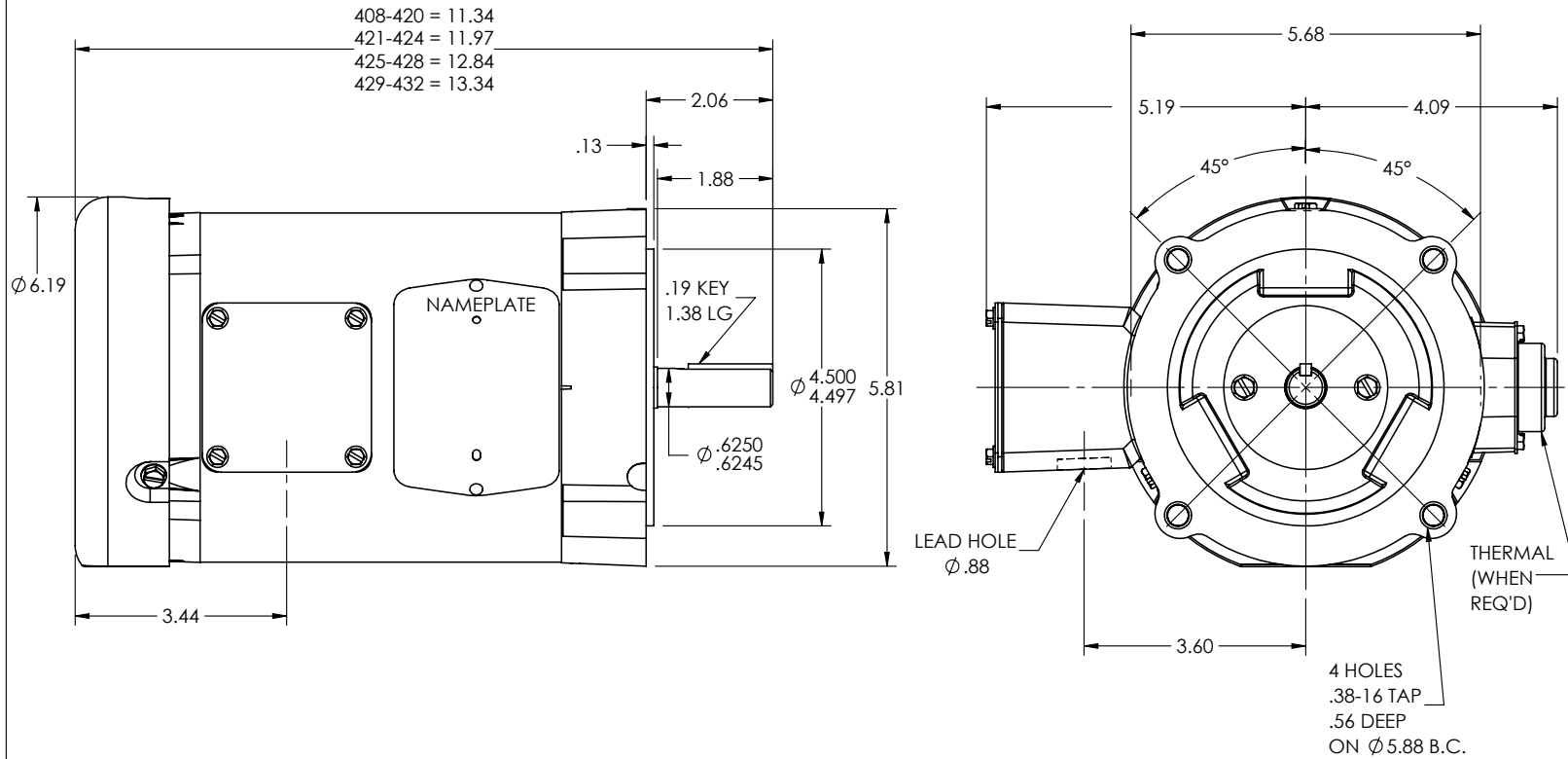
Typical performance - not guaranteed values.

TORQUES (LB-FT): PO=2.77 PU=1.83 LR=2.03 LRA=2.89



10/7/2024 ACPERF, record # 85600

34LYA063



CUSTOMER IS RESPONSIBLE FOR DETERMINING THAT THE PRODUCT WILL PERFORM SUITABLY IN THE INTENDED APPLICATION

REV. DESC: LOAD TO SOLIDWORKS			
REV: N	VERSION: 04	REVISED: 01:33:59 09/21/2022	TDR: 000001194274
34LYA063	MODEL NO. 34LYA063		REF: -
	BY: ENFRAJ0		

BALDOR - RELIANCE®

STD VERT 34M NEMA 56C TEFC

34LYA063

CD0005



LOW VOLTAGE
(2Y)



LINE

HIGH VOLTAGE
(1Y)



LINE

NOTES:

1. INTERCHANGE ANY TWO LINE LEADS TO REVERSE ROTATION.
2. OPTIONAL THERMOSTATS ARE PROVIDED WHEN SPECIFIED.
3. ACTUAL NUMBER OF INTERNAL PARALLEL CIRCUITS MAY BE A MULTIPLE OF THOSE SHOWN ABOVE.
4. LEAD COLORS ARE OPTIONAL. LEADS MUST ALWAYS BE NUMBERED AS SHOWN.

CD0005

REV. DESC: REVISE TO SHOW OPTIONAL COLORS			
REV. LTR: E	BY: JLP	REVISED: 01/19/99 10:15	TDR: 0171435
S00000		FILE: AAA00005140	MDL: -
		MTL: -	

BALDOR ELECTRIC Co.

3PH, DV, 9 LEADS