

**BALDOR • RELIANCE**

---

# Customer information packet

## JSM3120

1.5HP, 3450RPM, 3PH, 60HZ, 56YZ, 3424M, OPEN, F

Class - None

Division - Not Applicable

Copyright © All product information within this document is subject to ABB Motors and Mechanical Inc. copyright © protection, unless otherwise noted.

7/23/2024 10:12:51 PM

## Specifications

Enclosure	OPEN
Frame	56YZ
Frame Material	Steel
Frequency	60.00 Hz
Haz Area Class and Group	None
Haz Area Division	Not Applicable
Motor Letter Type	Three Phase
Output @ Frequency	1.500 HP @ 60 HZ
Phase	3
Synchronous Speed @ Frequency	3600 RPM @ 60 HZ
Voltage @ Frequency	230.0 V @ 60 HZ 460.0 V @ 60 HZ
Agency Approvals	UR CSA
Ambient Temperature	40 °C
Auxillary Box	No Auxillary Box
Auxillary Box Lead Termination	None
Base Indicator	No Mounting
Bearing Grease Type	Polyrex EM (-20F +300F)
Blower	None
Current @ Voltage	2.000 A @ 460.0 V 4.000 A @ 230.0 V 4.700 A @ 208.0 V
Design Code	B
Drip Cover	Drip Cover
Duty Rating	CONT
Efficiency @ 100% Load	81.5 %
Electrically Isolated Bearing	Not Electrically Isolated
Feedback Device	NO FEEDBACK
Front Face Code	Drip Cover Mounting
Front Shaft Indicator	None
Heater Indicator	No Heater

## Part detail

Revision	Q
Type	AC
Mech. spec.	34L408
Base	
Status	PRD/A
Elec. spec.	34WGX480
Layout	34LYL408
Eff. date	02-08-2024
CD Diagram	CD0005
Poles	02
Leads	9#18
Proprietary	False
Created date	08-05-2009

High Voltage Full Load Amps	2.0 a
Insulation Class	B
Inverter Code	Not Inverter
KVA Code	L
Lifting Lugs	No Lifting Lugs
Locked Bearing Indicator	Locked Bearing
Motor Lead Exit	Terminal Panel Or Lead Hole
Motor Lead Quantity/Wire Size	9 @ 18 AWG
Motor Lead Termination	Flying Leads
Motor Standards	NEMA
Motor Type	3424M
Mounting Arrangement	F1
Number of Poles	2
Overall Length	12.77 IN
Power Factor	89
Product Family	General Purpose
Pulley End Bearing Type	Ball
Pulley Face Code	Pool Pump
Pulley Shaft Indicator	Ext Thread & Tapped Hole
Rodent Screen	None
RoHS Status	ROHS COMPLIANT
Service Factor	1.15
Shaft Diameter	0.625 IN
Shaft Extension Location	Pulley End
Shaft Ground Indicator	No Shaft Grounding
Shaft Rotation	Reversible
Shaft Slinger Indicator	No Slinger
Speed	3450 rpm
Speed Code	Single Speed
Starting Method	Direct on line
Thermal Device - Bearing	None
Thermal Device - Winding	None
Vibration Sensor Indicator	No Vibration Sensor
Winding Thermal 1	None

**Winding Thermal 2**

**None**

---

**Nameplate**

<b>NP1256L</b>									
<b>CAT.NO.</b>	JSM3120								
<b>SPEC.</b>	34L408X480G1								
<b>HP</b>	1.5								
<b>VOLTS</b>	230/460								
<b>AMP</b>	4/2								
<b>RPM</b>	3450								
<b>FRAME</b>	56YZ		<b>HZ</b>	60		<b>PH</b>	3		
<b>SER.F.</b>	1.15	<b>CODE</b>	L	<b>DES</b>	B	<b>CLASS</b>	B		
<b>NEMA-NOM-EFF</b>	81.5	<b>PF</b>	89						
<b>RATING</b>	40C AMB-CONT								
<b>CC</b>									
<b>DE</b>	6203		<b>ODE</b>	6203					
<b>ENCL</b>	OPEN	<b>SN</b>							
	SFA 4.4/2.2								

**AC Induction Motor Performance Data**

Record # 7395

Typical performance - not guaranteed values

Winding: 34WGX480-R001		Type: 3424M	Enclosure: OPEN
<b>Nameplate Data</b>		<b>460 V, 60 Hz: High Voltage Connection</b>	
Rated Output (HP)	1.5	Full Load Torque	2.3 LB-FT
Volts	230/460	Start Configuration	direct on line
Full Load Amps	4/2	Breakdown Torque	10.1 LB-FT
R.P.M.	3450	Pull-up Torque	7.7 LB-FT
Hz	60 Phase	Locked-rotor Torque	10 LB-FT
NEMA Design Code	B KVA Code	Starting Current	17 A
Service Factor (S.F.)	1.15	No-load Current	1 A
NEMA Nom. Eff.	81.5 Power Factor	Line-line Res. @ 25°C	0.922 Ω
Rating - Duty	40C AMB-CONT	Temp. Rise @ Rated Load	35°C
S.F. Amps	4.4/2.2	Temp. Rise @ S.F. Load	40°C

**Load Characteristics 460 V, 60 Hz, 1.5 HP**

% of Rated Load	25	50	75	100	125	150	S.F.
Power Factor	50	71	83	89	92	94	0
Efficiency	68	78.4	81.2	81.6	80.9	79.4	0
Speed	3545	3504	3460	3413	3364	3307	0
Line amperes	1.1	1.3	1.6	2	2.4	2.9	2.2

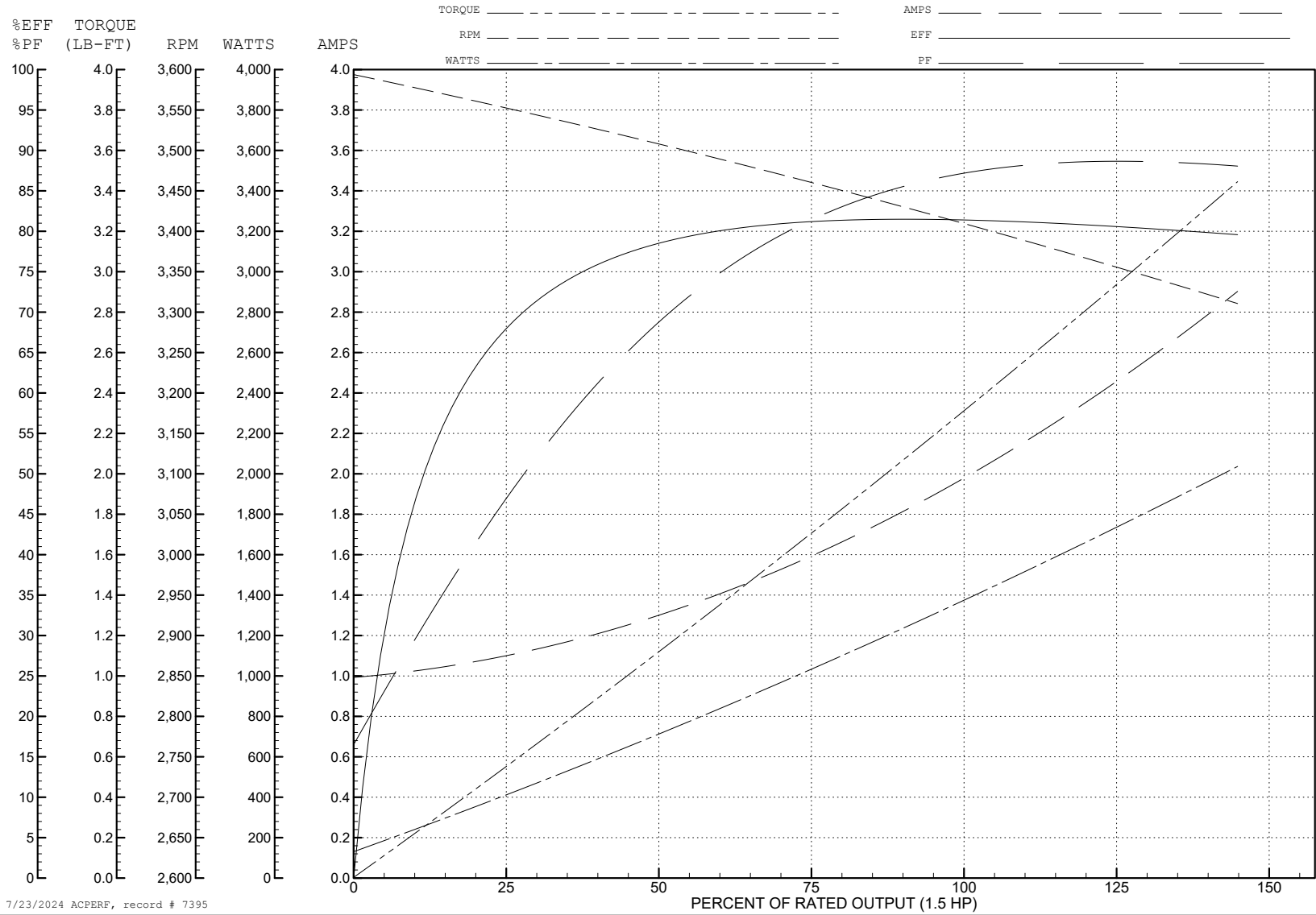
ABB Motors and Mechanical Inc.

WINDING # 34WGx480

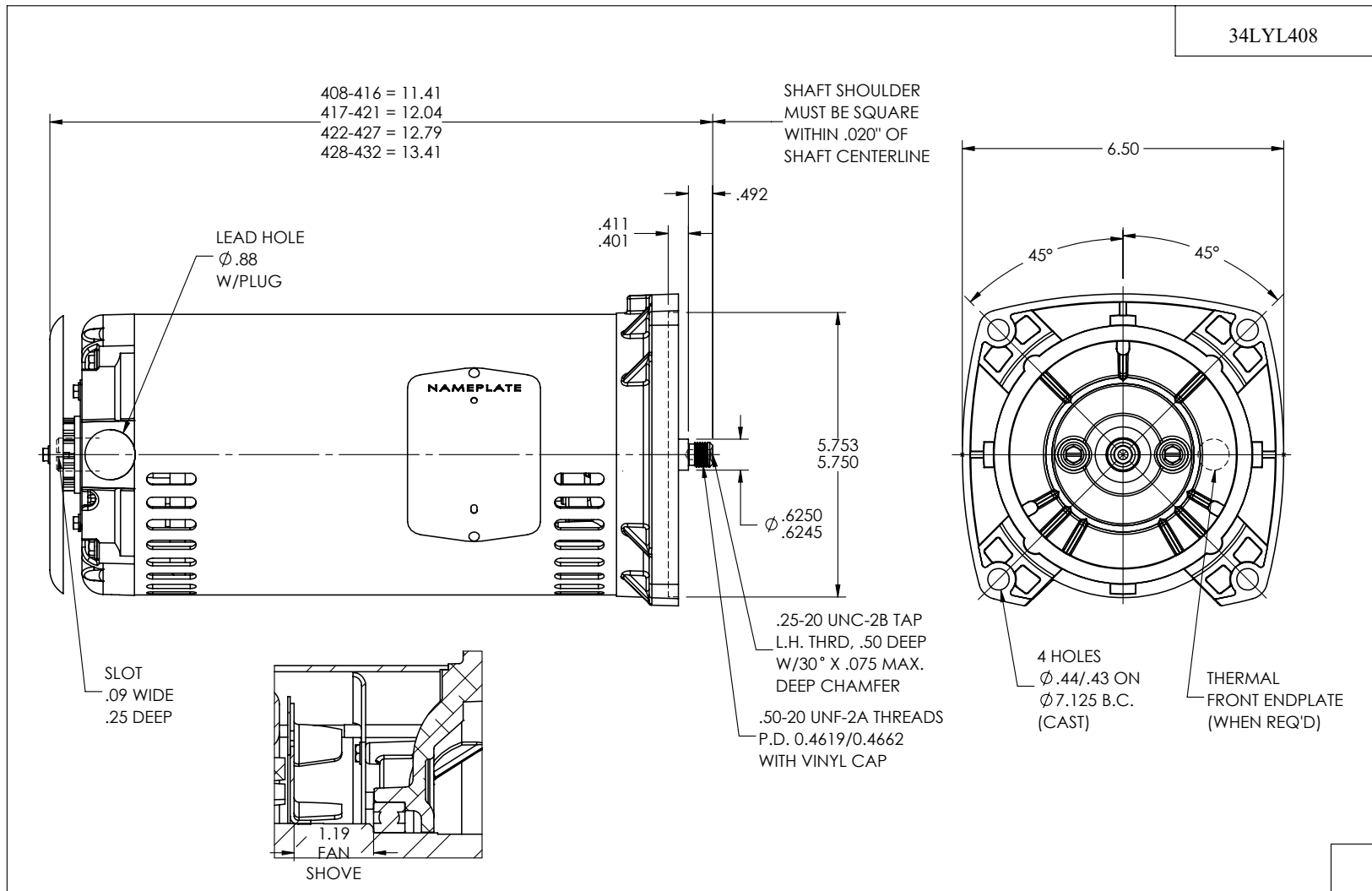
Typical performance - not guaranteed values.

1.5 HP 3 PH 60 HZ 3450 RPM 460 V 3424M

TORQUES (LB-FT): PO=10.1 PU=7.7 LR=10 LRA=17



34LYL408



CUSTOMER IS RESPONSIBLE FOR DETERMINING THAT THE PRODUCT WILL PERFORM SUITABLY IN THE INTENDED APPLICATION

REV. DESC: LOAD TO SOLIDWORKS - REV B			
REV: C	VERSION: 03	REVISED: 10:26:10 01/02/2023	TDR: 000001201165
80411713	MODEL NO. 34LYL408	REF: -	
	BY: ENFRAJ0		

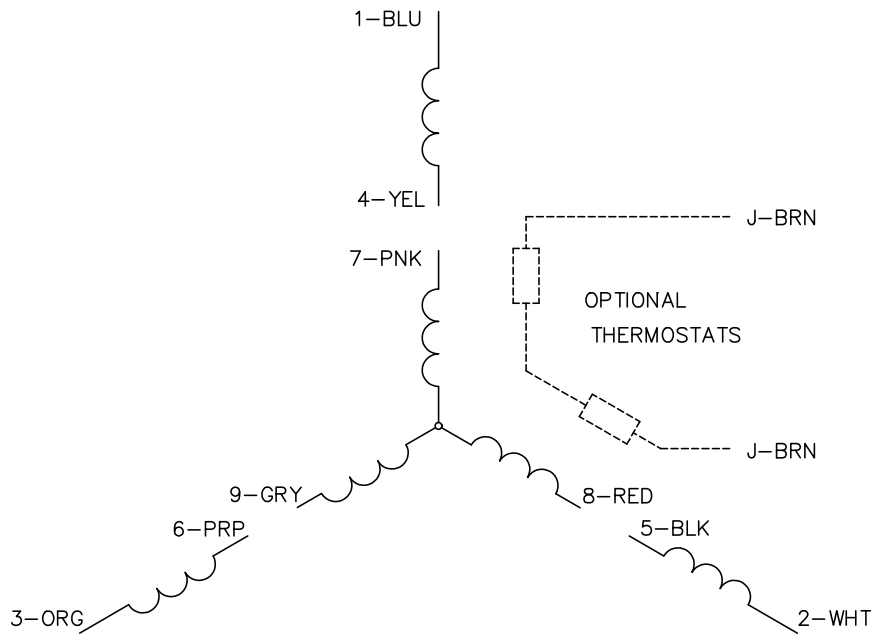
**BALDOR - RELIANCE®**

VERT 34M 56YZ OPEN W/TERM PANEL (POOL PUMP) W/S.S. SHAFT

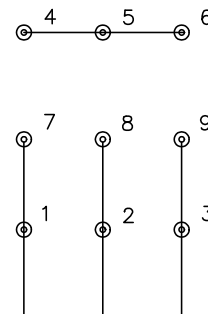
34LYL408



CD0005

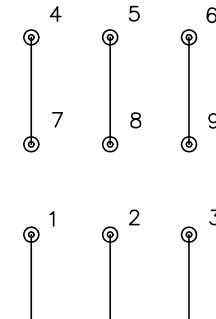


LOW VOLTAGE  
(2Y)



LINE

HIGH VOLTAGE  
(1Y)



LINE

**NOTES:**

1. INTERCHANGE ANY TWO LINE LEADS TO REVERSE ROTATION.
2. OPTIONAL THERMOSTATS ARE PROVIDED WHEN SPECIFIED.
3. ACTUAL NUMBER OF INTERNAL PARALLEL CIRCUITS MAY BE A MULTIPLE OF THOSE SHOWN ABOVE.
4. LEAD COLORS ARE OPTIONAL. LEADS MUST ALWAYS BE NUMBERED AS SHOWN.

CD0005

REV. DESC: REVISE TO SHOW OPTIONAL COLORS			
REV. LTR: E	BY: JLP	REVISED: 01/19/99 10:15	TDR: 0171435
S00000		FILE: AAA00005140	MDL: -
		MTL: -	

**BALDOR ELECTRIC Co.**

3PH, DV, 9 LEADS