

BALDOR • RELIANCE

Customer information packet

JSM3115

1HP, 3450RPM, 3PH, 60HZ, 56YZ, 3420M, OPEN, F1

Class - None

Division - Not Applicable

Specifications

Enclosure	OPEN
Frame	56YZ
Frame Material	Steel
Frequency	60.00 Hz
Haz Area Class and Group	None
Haz Area Division	Not Applicable
Motor Letter Type	Three Phase
Output @ Frequency	1.000 HP @ 60 HZ
Phase	3
Synchronous Speed @ Frequency	3600 RPM @ 60 HZ
Voltage @ Frequency	230.0 V @ 60 HZ 460.0 V @ 60 HZ
Agency Approvals	UR CSA
Ambient Temperature	40 °C
Auxillary Box	No Auxillary Box
Auxillary Box Lead Termination	None
Base Indicator	No Mounting
Bearing Grease Type	Polyrex EM (-20F +300F)
Blower	None
Current @ Voltage	1.600 A @ 460.0 V 3.200 A @ 230.0 V 4.200 A @ 208.0 V
Design Code	B
Drip Cover	Drip Cover
Duty Rating	CONT
Efficiency @ 100% Load	77.0 %
Electrically Isolated Bearing	Not Electrically Isolated
Feedback Device	NO FEEDBACK
Front Face Code	Drip Cover Mounting
Front Shaft Indicator	None
Heater Indicator	No Heater

Part detail

Revision	N
Type	AC
Mech. spec.	34L408
Base	
Status	PRD/A
Elec. spec.	34WG3226
Layout	34LYL408
Eff. date	02-08-2024
CD Diagram	CD0005
Poles	02
Leads	9#18
Proprietary	False
Created date	08-05-2009

High Voltage Full Load Amps	1.6 a
Insulation Class	B
Inverter Code	Not Inverter
KVA Code	L
Lifting Lugs	No Lifting Lugs
Locked Bearing Indicator	Locked Bearing
Motor Lead Exit	Terminal Panel Or Lead Hole
Motor Lead Quantity/Wire Size	9 @ 18 AWG
Motor Lead Termination	Flying Leads
Motor Standards	NEMA
Motor Type	3420M
Mounting Arrangement	F1
Number of Poles	2
Overall Length	12.02 IN
Power Factor	82
Product Family	General Purpose
Pulley End Bearing Type	Ball
Pulley Face Code	Pool Pump
Pulley Shaft Indicator	Ext Thread & Tapped Hole
Rodent Screen	None
RoHS Status	ROHS COMPLIANT
Service Factor	1.40
Shaft Diameter	0.625 IN
Shaft Extension Location	Pulley End
Shaft Ground Indicator	No Shaft Grounding
Shaft Rotation	Reversible
Shaft Slinger Indicator	No Slinger
Speed	3450 rpm
Speed Code	Single Speed
Starting Method	Direct on line
Thermal Device - Bearing	None
Thermal Device - Winding	None
Vibration Sensor Indicator	No Vibration Sensor
Winding Thermal 1	None

Winding Thermal 2

None

Nameplate

NP1256L									
CAT.NO.	JSM3115								
SPEC.	34L408-3226								
HP	1								
VOLTS	230/460								
AMP	3.2/1.6								
RPM	3450								
FRAME	56YZ		HZ	60		PH	3		
SER.F.	1.40	CODE	L	DES	B	CLASS	B		
NEMA-NOM-EFF	77	PF	82						
RATING	40C AMB-CONT								
CC									
DE	6203		ODE	6203					
ENCL	OPEN	SN							
	SFA 4/2								

AC Induction Motor Performance Data

Record # 50682

Typical performance - not guaranteed values

Winding: 34WG3226-R001		Type: 3420M		Enclosure: OPEN	
Nameplate Data			460 V, 60 Hz: High Voltage Connection		
Rated Output (HP)	1	Full Load Torque	1.51 LB-FT		
Volts	230/460	Start Configuration	direct on line		
Full Load Amps	3.2/1.6	Breakdown Torque	7.966 LB-FT		
R.P.M.	3450	Pull-up Torque	6.2 LB-FT		
Hz	60 Phase	3	Locked-rotor Torque	8.7 LB-FT	
NEMA Design Code	B KVA Code	L	Starting Current	14.5 A	
Service Factor (S.F.)		1.4	No-load Current	0.913 A	
NEMA Nom. Eff.	77 Power Factor	82	Line-line Res. @ 25°C	13.6 Ω	
Rating - Duty		40C AMB-CONT	Temp. Rise @ Rated Load		
S.F. Amps		4/2	Temp. Rise @ S.F. Load		

Load Characteristics 460 V, 60 Hz, 1 HP

% of Rated Load	25	50	75	100	125	150	S.F.
Power Factor	41	59	72	80	85	89	87
Efficiency	57.7	71.5	77.1	79.3	79.9	79.7	79.8
Speed	3560	3536	3506	3475	3445	3406	3422
Line amperes	0.967	1.09	1.27	1.47	1.7	1.99	1.87

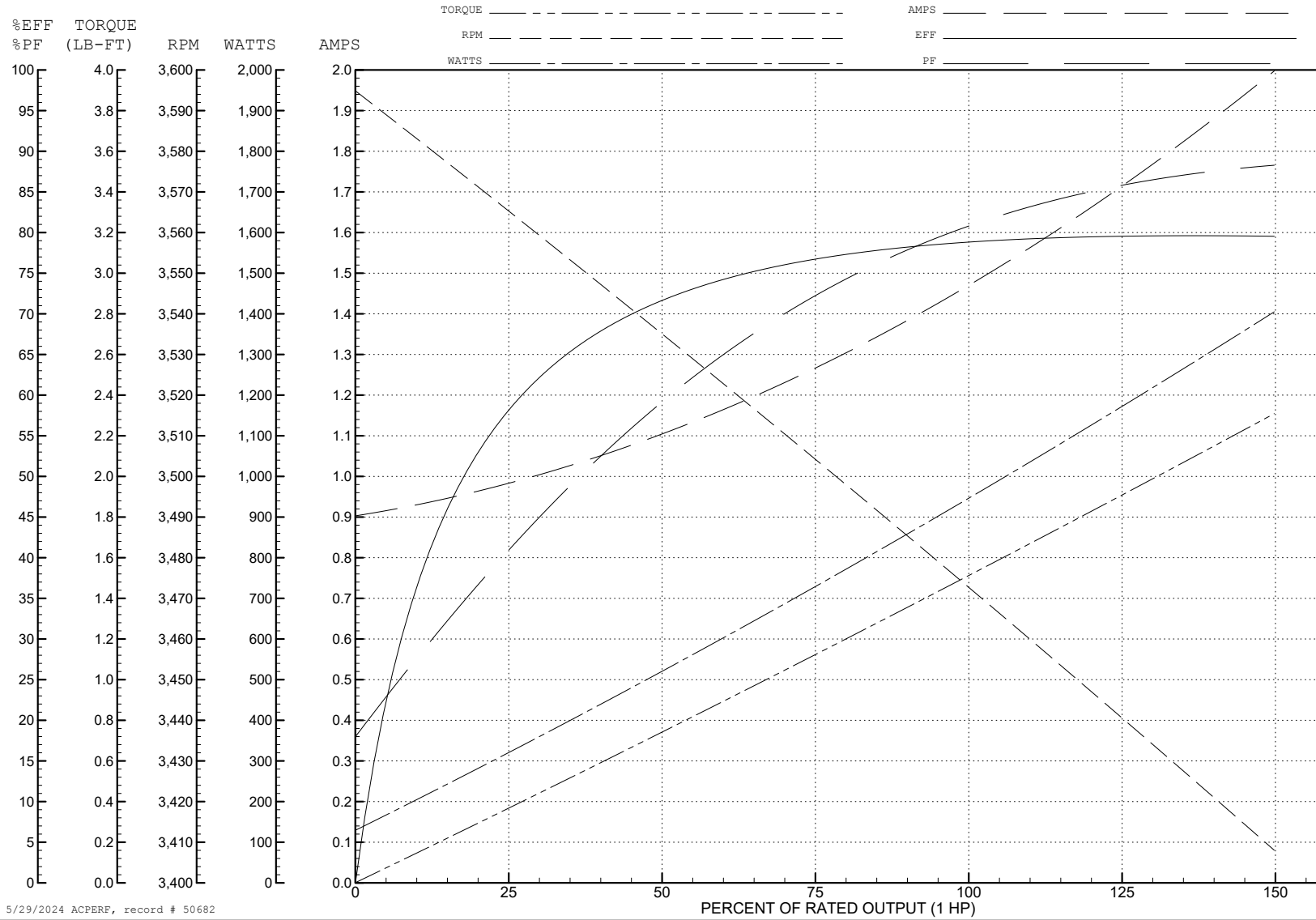
ABB Motors and Mechanical Inc.

WINDING # 34WG3226

Typical performance - not guaranteed values.

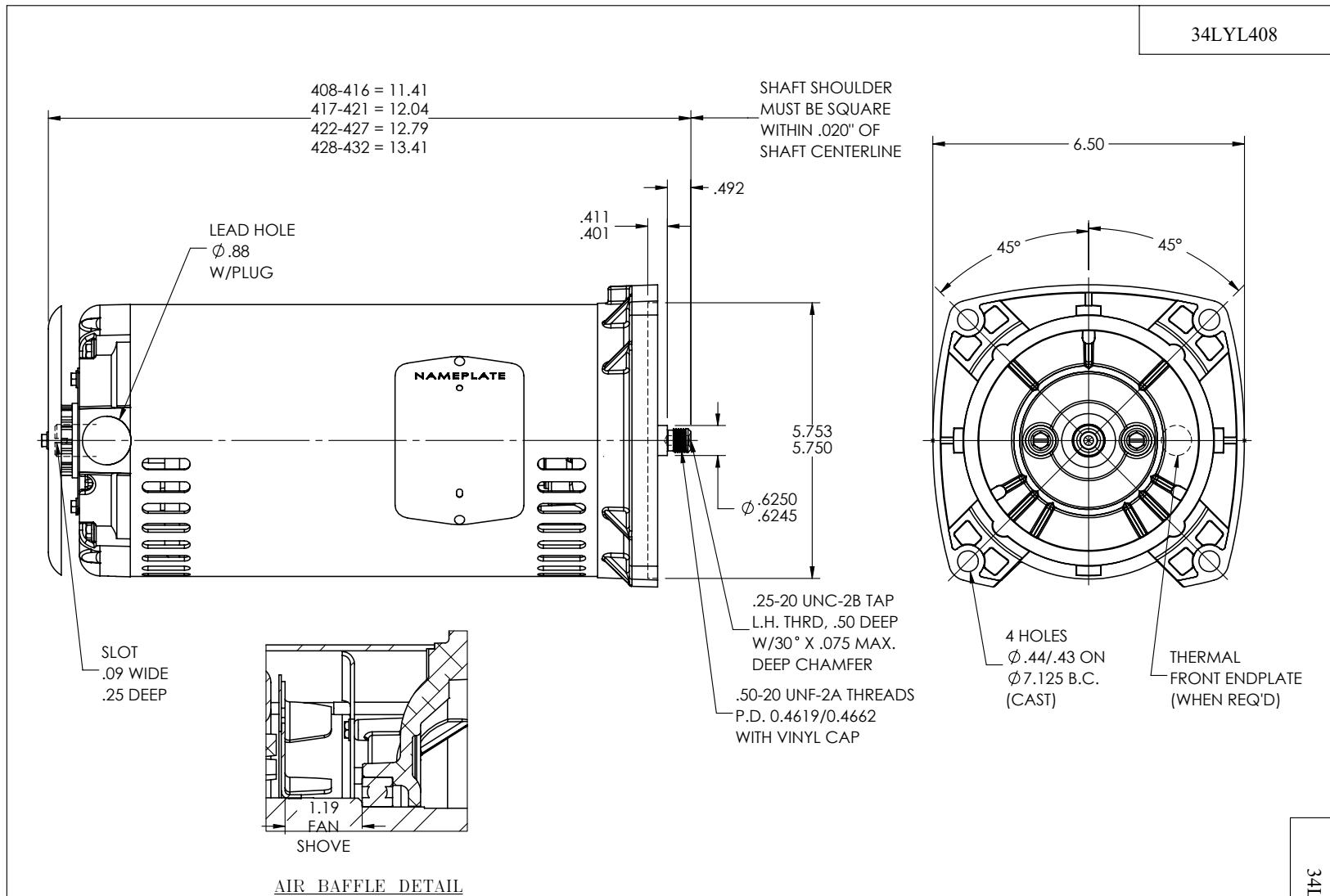
1 HP 3 PH 60 HZ 3450 RPM 460 V 3420M

TORQUES (LB-FT): PO=7.966 PU=6.2 LR=8.7 LRA=14.5



5/29/2024 ACPERF, record # 50682

34LYL408



CUSTOMER IS RESPONSIBLE FOR DETERMINING THAT THE PRODUCT WILL PERFORM SUITABLY IN THE INTENDED APPLICATION

REV. DESC: LOAD TO SOLIDWORKS - REV B			
REV: C	VERSION: 03	REVISED: 10:26:10 01/02/2023	TDR: 000001201165
80411713 34LYL408	MODEL NO. 34LYL408	REF: -	
BY: ENFRAJ0			

BALDOR - RELIANCE®

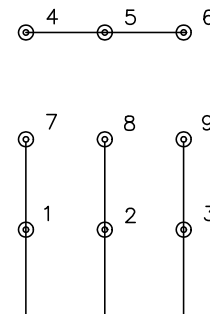
VERT 34M 56YZ OPEN W/TERM PANEL (POOL PUMP) W/S.S. SHAFT

34LYL408

CD0005



LOW VOLTAGE
(2Y)



LINE

HIGH VOLTAGE
(1Y)



LINE

NOTES:

1. INTERCHANGE ANY TWO LINE LEADS TO REVERSE ROTATION.
2. OPTIONAL THERMOSTATS ARE PROVIDED WHEN SPECIFIED.
3. ACTUAL NUMBER OF INTERNAL PARALLEL CIRCUITS MAY BE A MULTIPLE OF THOSE SHOWN ABOVE.
4. LEAD COLORS ARE OPTIONAL. LEADS MUST ALWAYS BE NUMBERED AS SHOWN.

CD0005

REV. DESC: REVISE TO SHOW OPTIONAL COLORS			
REV. LTR: E	BY: JLP	REVISED: 01/19/99 10:15	TDR: 0171435
S00000		FILE: AAA00005140	MDL: -
		MTL: -	

BALDOR ELECTRIC Co.

3PH, DV, 9 LEADS