

BALDOR • RELIANCE

Customer information packet

JPDRX21744TY

7.5HP, 1770//1470RPM, 3PH, 60/50HZ, 213TCZ, X
Class - CLI GP C,D
Division - Division I

Specifications

Enclosure	XPFC
Frame	213TCZ
Frame Material	Iron
Frequency	50.00 Hz 60.00 Hz
Haz Area Class and Group	CLI GP C,D
Haz Area Division	Division I
Motor Letter Type	Three Phase
Output @ Frequency	7.500 HP @ 60 HZ 5.000 HP @ 50 HZ
Phase	3
Synchronous Speed @ Frequency	1800 RPM @ 60 HZ
Voltage @ Frequency	460.0 V @ 60 HZ 190.0 V @ 50 HZ 230.0 V @ 60 HZ 380.0 V @ 50 HZ
Agency Approvals	UL CSA EEV
Ambient Temperature	40 °C
Auxillary Box	No Auxillary Box
Auxillary Box Lead Termination	None
Base Indicator	Rigid
Bearing Grease Type	Polyrex EM (-20F +300F)
Blower	None
Constant Torque Speed Range	6
Current @ Voltage	10.100 A @ 460.0 V 17.400 A @ 190.0 V 20.200 A @ 230.0 V 8.700 A @ 380.0 V
Design Code	A
Drip Cover	No Drip Cover
Duty Rating	CONT

Part detail

Revision	B
Type	AC
Mech. spec.	
Base	
Status	PRD/A
Elec. spec.	07WGR561
Layout	07LYK202
Eff. date	02-14-2024
CD Diagram	CD0005
Poles	04
Leads	9#14
Proprietary	False
Created date	08-05-2019

Efficiency @ 100% Load	91.7 %
Electrically Isolated Bearing	Not Electrically Isolated
Feedback Device	NO FEEDBACK
Haz Area Temp Code	T3C
Heater Indicator	No Heater
High Voltage Full Load Amps	8.7 a
Insulation Class	F
Inverter Code	Inverter Duty
IP Rating	NONE
KVA Code	K
Lifting Lugs	Standard Lifting Lugs
Locked Bearing Indicator	Locked Bearing
Max Speed	2700 rpm
Motor Lead Termination	Flying Leads
Motor Standards	NEMA
Motor Type	0738M
Mounting Arrangement	F1
Number of Poles	4
Overall Length	25.65 IN
Power Factor	75
Product Family	General Purpose
Pulley Face Code	C-Face
Rodent Screen	None
RoHS Status	ROHS NON-COMPLIANT
Service Factor	1.00
Shaft Diameter	0.875 IN
Shaft Ground Indicator	No Shaft Grounding
Shaft Rotation	Reversible
Speed	1770 rpm
Speed Code	Single Speed
Starting Method	Direct on line
Thermal Device - Bearing	None
Thermal Device - Winding	Normally Closed Thermostat
Vibration Sensor Indicator	No Vibration Sensor

Winding Thermal 1	None
Winding Thermal 2	None

Nameplate

NP1401XPSLEV

NO.		CC	010A				
S/N		TEMP CODE	T3C				
SPEC.	07-0000-0226	INV.TYPE	PWM				
CAT.NO.	JPDRX21744TY	C HP FR	60	C HP TO	90		
HP	7.5//5	CT HZ FROM	6	CT HZ TO	60		
VOLTS	230/460//190/380	VT HZ FROM	6	VT HZ TO	60		
AMPS	20.2/10.1//17.4/8.7	MAG CUR	10.8/5.4				
RPM	1770//1470	MX RPM	2700				
HZ	60//50	PH	3	CL	F	NOM.EFF.	91.7
SER.F.	1.00	DES	A	SL HZ	1	WK2	0.934
FRAME	213TCZ	RATING	40C AMB-CONT				
	55C AMB @ 1.0 SF						
	1.15 SF SINEWAVE		NEMA MG-1 PT 5,IP55				

AC Induction Motor Performance Data

Record # 72835

Typical performance - not guaranteed values

Winding: 07WGR561-R003		Type: 0738M		Enclosure: XPFC		
Nameplate Data			460 V, 60 Hz: High Voltage Connection			
Rated Output (HP)	7.5//5		Full Load Torque	22.08 LB-FT		
Volts	230/460//190/380		Start Configuration	direct on line		
Full Load Amps	20.2/10.1//17.4/8.7		Breakdown Torque	81.48 LB-FT		
R.P.M.	1770//1470		Pull-up Torque	38.25 LB-FT		
Hz	60//50	Phase	3	Locked-rotor Torque	50.29 LB-FT	
NEMA Design Code	A		KVA Code	K	Starting Current	82.02 A
Service Factor (S.F.)	1			No-load Current	5.44 A	
NEMA Nom. Eff.	91.7	Power Factor	75	Line-line Res. @ 25°C	1.22 Ω	
Rating - Duty	40C AMB-CONT			Temp. Rise @ Rated Load	42°C	
				Locked-rotor Power Factor	37.5	
				Rotor inertia	0.934 lb-ft ²	

Load Characteristics 460 V, 60 Hz, 7.5 HP

% of Rated Load	25	50	75	100	125	150
Power Factor	36	57	69	76	80	82
Efficiency	82.1	88.6	90.3	90.6	90.2	89.6
Speed	1794	1787	1780	1773	1764	1756
Line amperes	5.93	6.99	8.43	10.18	12.2	14.34

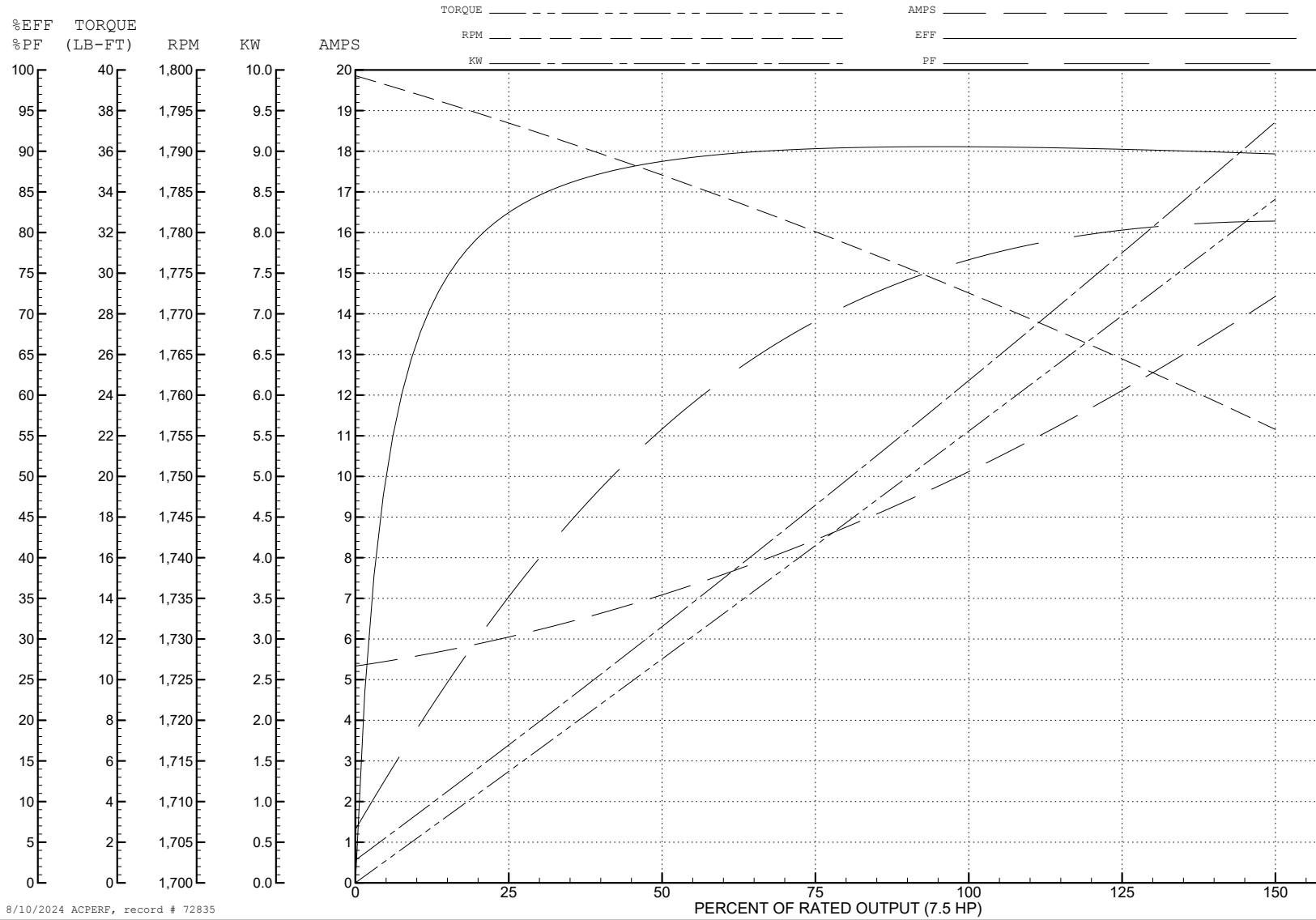
ABB Motors and Mechanical Inc.

WINDING # 07WGR561

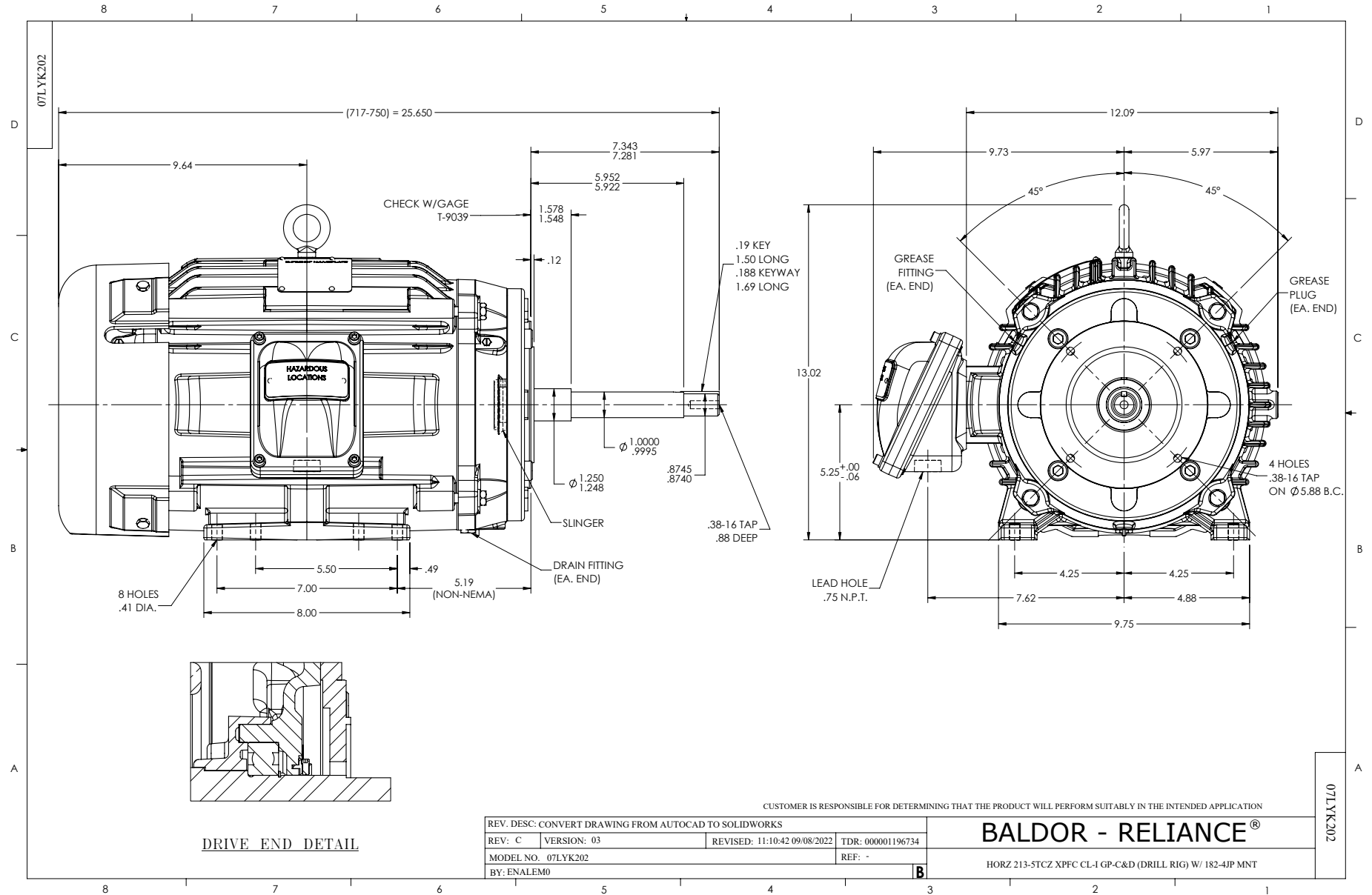
Typical performance - not guaranteed values.

7.5 HP 3 PH 60 HZ 1773 RPM 460 V 0738M

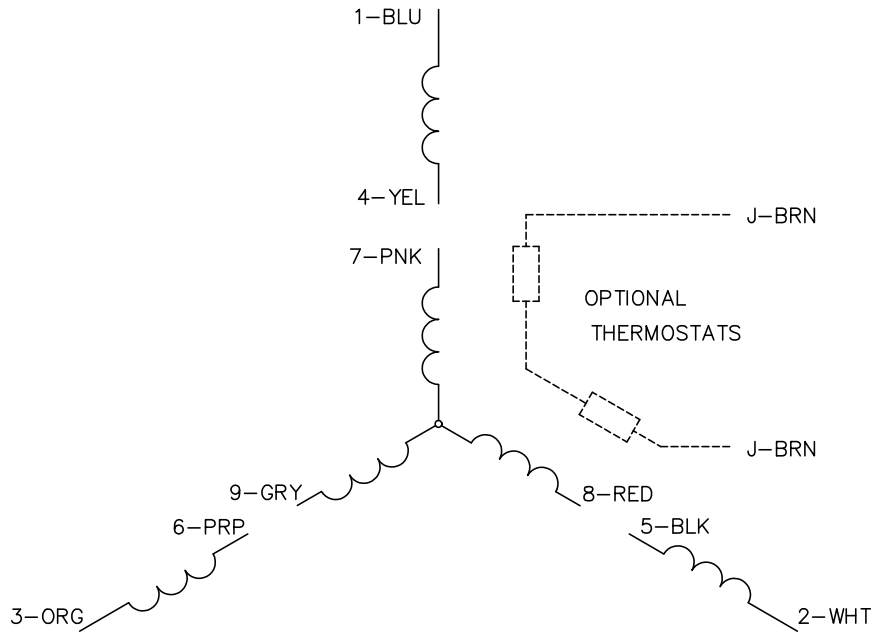
TORQUES (LB-FT): PO=81.48 PU=38.25 LR=50.29 LRA=82.02



8/10/2024 ACPERF, record # 72835



CD0005

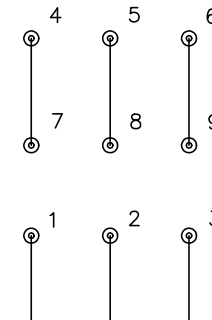


LOW VOLTAGE (2Y)



LINE

HIGH VOLTAGE (1Y)



LINE

NOTES:

1. INTERCHANGE ANY TWO LINE LEADS TO REVERSE ROTATION.
2. OPTIONAL THERMOSTATS ARE PROVIDED WHEN SPECIFIED.
3. ACTUAL NUMBER OF INTERNAL PARALLEL CIRCUITS MAY BE A MULTIPLE OF THOSE SHOWN ABOVE.
4. LEAD COLORS ARE OPTIONAL. LEADS MUST ALWAYS BE NUMBERED AS SHOWN.

CD0005

REV. DESC: REVISE TO SHOW OPTIONAL COLORS			
REV. LTR: E	BY: JLP	REVISED: 01/19/99 10:15	TDR: 0171435
S00000		FILE: AAA00005140	MDL: -
		MTL: -	

BALDOR ELECTRIC Co.

3PH, DV, 9 LEADS