

**BALDOR • RELIANCE**

---

# Customer information packet

## JPDRX21144TY

10HP, 1765//1465RPM, 3PH, 60/50HZ, 215TCZ, XP

Class - CLI GP C,D

Division - Division I

Copyright © All product information within this document is subject to ABB Motors and Mechanical Inc. copyright © protection, unless otherwise noted.

9/12/2024 7:46:15 PM

## Specifications

Enclosure	XPFC
Frame	215TCZ
Frame Material	Iron
Frequency	50.00 Hz 60.00 Hz
Haz Area Class and Group	CLI GP C,D
Haz Area Division	Division I
Motor Letter Type	Three Phase
Output @ Frequency	7.500 HP @ 50 HZ 10.000 HP @ 60 HZ
Phase	3
Synchronous Speed @ Frequency	1800 RPM @ 60 HZ
Voltage @ Frequency	460.0 V @ 60 HZ 190.0 V @ 50 HZ 230.0 V @ 60 HZ 380.0 V @ 50 HZ
Agency Approvals	UL CSA EEV
Ambient Temperature	40 °C
Auxillary Box	No Auxillary Box
Auxillary Box Lead Termination	None
Base Indicator	Rigid
Bearing Grease Type	Polyrex EM (-20F +300F)
Blower	None
Constant Torque Speed Range	6
Current @ Voltage	11.600 A @ 380.0 V 12.500 A @ 460.0 V 23.200 A @ 190.0 V 25.000 A @ 230.0 V
Design Code	A
Drip Cover	No Drip Cover
Duty Rating	CONT

## Part detail

Revision	D
Type	AC
Mech. spec.	
Base	
Status	PRD/A
Elec. spec.	07WGX598
Layout	07LYK202
Eff. date	02-14-2024
CD Diagram	CD0005
Poles	04
Leads	9#14
Proprietary	False
Created date	08-05-2019

Efficiency @ 100% Load	91.7 %
Electrically Isolated Bearing	Not Electrically Isolated
Feedback Device	NO FEEDBACK
Haz Area Temp Code	T3C
Heater Indicator	No Heater
High Voltage Full Load Amps	11.6 a
Insulation Class	F
Inverter Code	Inverter Duty
IP Rating	NONE
KVA Code	J
Lifting Lugs	Standard Lifting Lugs
Locked Bearing Indicator	Locked Bearing
Max Speed	2700 rpm
Motor Lead Termination	Flying Leads
Motor Standards	NEMA
Motor Type	0750M
Mounting Arrangement	F1
Number of Poles	4
Overall Length	25.65 IN
Power Factor	81
Product Family	General Purpose
Pulley Face Code	C-Face
Rodent Screen	None
RoHS Status	ROHS NON-COMPLIANT
Service Factor	1.00
Shaft Diameter	0.875 IN
Shaft Ground Indicator	No Shaft Grounding
Shaft Rotation	Reversible
Speed	1765 rpm
Speed Code	Single Speed
Starting Method	Direct on line
Thermal Device - Bearing	None
Thermal Device - Winding	Normally Closed Thermostat
Vibration Sensor Indicator	No Vibration Sensor

Winding Thermal 1

None

---

Winding Thermal 2

None

---

**Nameplate**

<b>NP1401XPSLEV</b>										
<b>NO.</b>		<b>CC</b>	010A							
<b>S/N</b>		<b>TEMP CODE</b>	T3C							
<b>SPEC.</b>	07-0000-0223		<b>INV.TYPE</b>	PWM						
<b>CAT.NO.</b>	JPDRX21144TY		<b>C HP FR</b>	60	<b>C HP TO</b>	90				
<b>HP</b>	10//7.5		<b>CT HZ FROM</b>	6	<b>CT HZ TO</b>	60				
<b>VOLTS</b>	230/460//190/380		<b>VT HZ FROM</b>	6	<b>VT HZ TO</b>	60				
<b>AMPS</b>	25/12.5//23.2/11.6		<b>MAG CUR</b>	5.6						
<b>RPM</b>	1765//1465		<b>MX RPM</b>	2700						
<b>HZ</b>	60//50	<b>PH</b>	3	<b>CL</b>	F	<b>NOM.EFF.</b>	91.7			
<b>SER.F.</b>	1.00	<b>DES</b>	A	<b>SL HZ</b>	1.2	<b>WK2</b>	1.18			
<b>FRAME</b>	215TCZ	<b>RATING</b>	40C AMB-CONT							
	55C AMB @ 1.0 SF									
	1.15 SF SINEWAVE									

**AC Induction Motor Performance Data**

Record # 39054

Typical performance - not guaranteed values

<b>Winding:</b> 07WGX598-R007		<b>Type:</b> 0750M		<b>Enclosure:</b> XPFC	
<b>Nameplate Data</b>			<b>460 V, 60 Hz: High Voltage Connection</b>		
<b>Rated Output (HP)</b>	10//7.5		<b>Full Load Torque</b>	29.7 LB-FT	
<b>Volts</b>	230/460//190/380		<b>Start Configuration</b>	direct on line	
<b>Full Load Amps</b>	24.6/12.3//23/11.5		<b>Breakdown Torque</b>	94.2 LB-FT	
<b>R.P.M.</b>	1765//1465		<b>Pull-up Torque</b>	56.3 LB-FT	
<b>Hz</b>	60//50	<b>Phase</b>	3	<b>Locked-rotor Torque</b>	62.4 LB-FT
<b>NEMA Design Code</b>	A	<b>KVA Code</b>	J	<b>Starting Current</b>	95.7 A
<b>Service Factor (S.F.)</b>	1.15		<b>No-load Current</b>	5.6 A	
<b>NEMA Nom. Eff.</b>	92.4	<b>Power Factor</b>	81	<b>Line-line Res. @ 25°C</b>	0.867 Ω
<b>Rating - Duty</b>	40C AMB-CONT		<b>Temp. Rise @ Rated Load</b>	55°C	
<b>S.F. Amps</b>			<b>Temp. Rise @ S.F. Load</b>	70°C	
			<b>Locked-rotor Power Factor</b>	35	
			<b>Rotor inertia</b>	1.23 LB-FT <sup>2</sup>	

**Load Characteristics 460 V, 60 Hz, 10 HP**

<b>% of Rated Load</b>	<b>25</b>	<b>50</b>	<b>75</b>	<b>100</b>	<b>125</b>	<b>150</b>	<b>S.F.</b>
<b>Power Factor</b>	41	64	76	81	84	85	83
<b>Efficiency</b>	89.8	93.6	92.6	92.4	91.3	90.2	91.7
<b>Speed</b>	1790	1782	1772	1764	1753	1743	1757
<b>Line amperes</b>	6.28	7.9	10	12.5	15.3	18.3	14.2

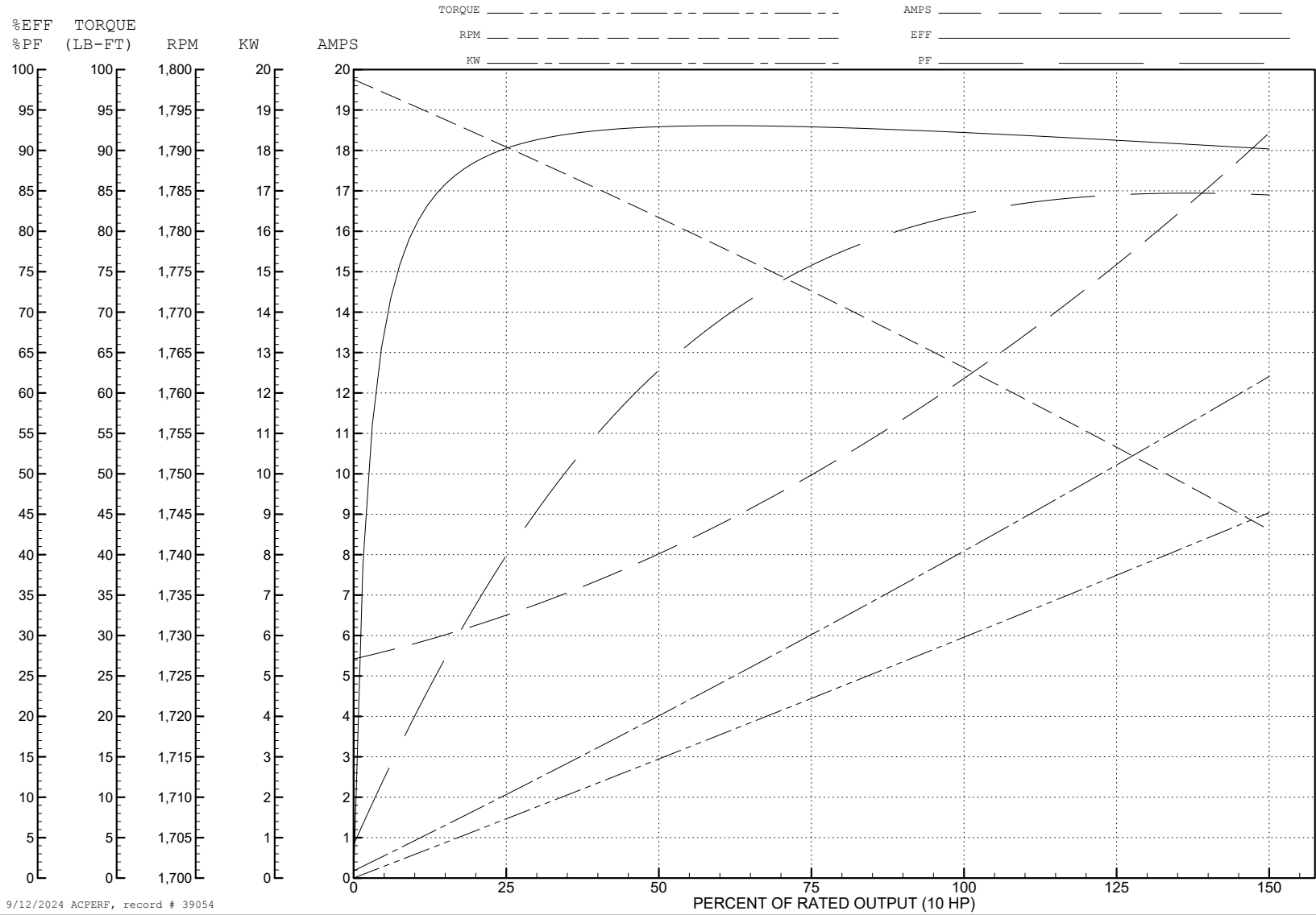
ABB Motors and Mechanical Inc.

WINDING # 07WGX598

Typical performance - not guaranteed values.

10 HP 3 PH 60 HZ 1764 RPM 460 V 0750M

TORQUES (LB-FT): PO=94.2 PU=56.3 LR=62.4 LRA=95.7



9/12/2024 ACPERF, record # 39054

**AC Induction Motor Performance Data**

Record # 73683

Typical performance - not guaranteed values

<b>Winding: 07WGX598-R015</b>		<b>Type: 0750M</b>		<b>Enclosure: XPFC</b>		
<b>Nameplate Data</b>			<b>460 V, 60 Hz: High Voltage Connection</b>			
<b>Rated Output (HP)</b>	10//7.5		<b>Full Load Torque</b>	29.7 LB-FT		
<b>Volts</b>	230/460//190/380		<b>Start Configuration</b>	direct on line		
<b>Full Load Amps</b>	25/12.5//23.2/11.6		<b>Breakdown Torque</b>	94.2 LB-FT		
<b>R.P.M.</b>	1765//1465		<b>Pull-up Torque</b>	56.3 LB-FT		
<b>Hz</b>	60//50	<b>Phase</b>	3	<b>Locked-rotor Torque</b>	62.4 LB-FT	
<b>NEMA Design Code</b>	A		<b>KVA Code</b>	J	<b>Starting Current</b>	95.7 A
<b>Service Factor (S.F.)</b>	1			<b>No-load Current</b>	5.6 A	
<b>NEMA Nom. Eff.</b>	91.7	<b>Power Factor</b>	81	<b>Line-line Res. @ 25°C</b>	0.866 Ω	
<b>Rating - Duty</b>	40C AMB-CONT			<b>Temp. Rise @ Rated Load</b>	55°C	
				<b>Locked-rotor Power Factor</b>	35.2	
				<b>Rotor inertia</b>	1.23 LB-FT <sup>2</sup>	

**Load Characteristics 460 V, 60 Hz, 10 HP**

<b>% of Rated Load</b>	<b>25</b>	<b>50</b>	<b>75</b>	<b>100</b>	<b>125</b>	<b>150</b>
<b>Power Factor</b>	41	64	76	81	84	85
<b>Efficiency</b>	89.8	93.5	92.5	92.2	91.3	90.1
<b>Speed</b>	1790	1782	1772	1764	1753	1743
<b>Line amperes</b>	6.28	7.9	10	12.5	15.3	18.3



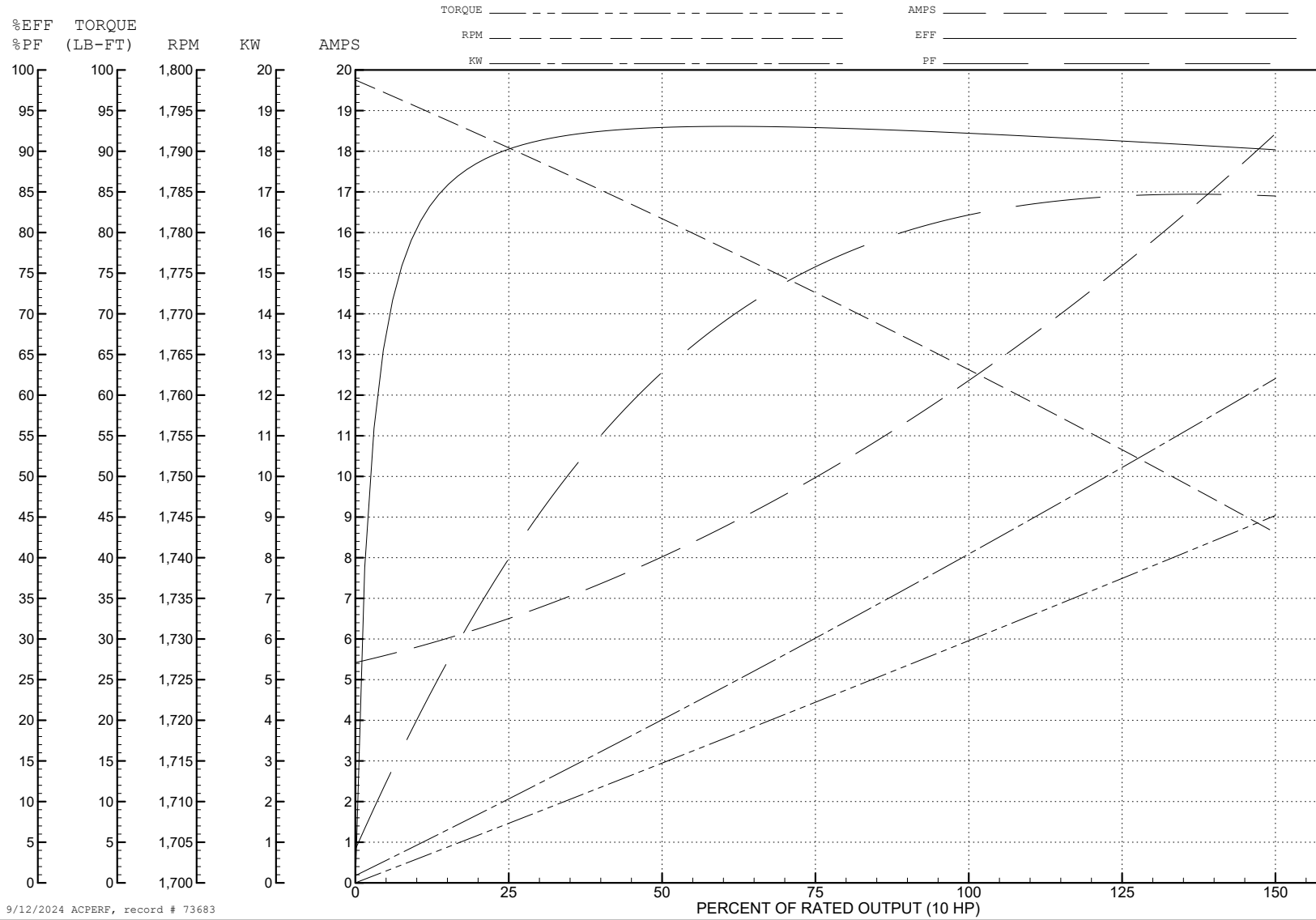
ABB Motors and Mechanical Inc.

WINDING # 07WGX598

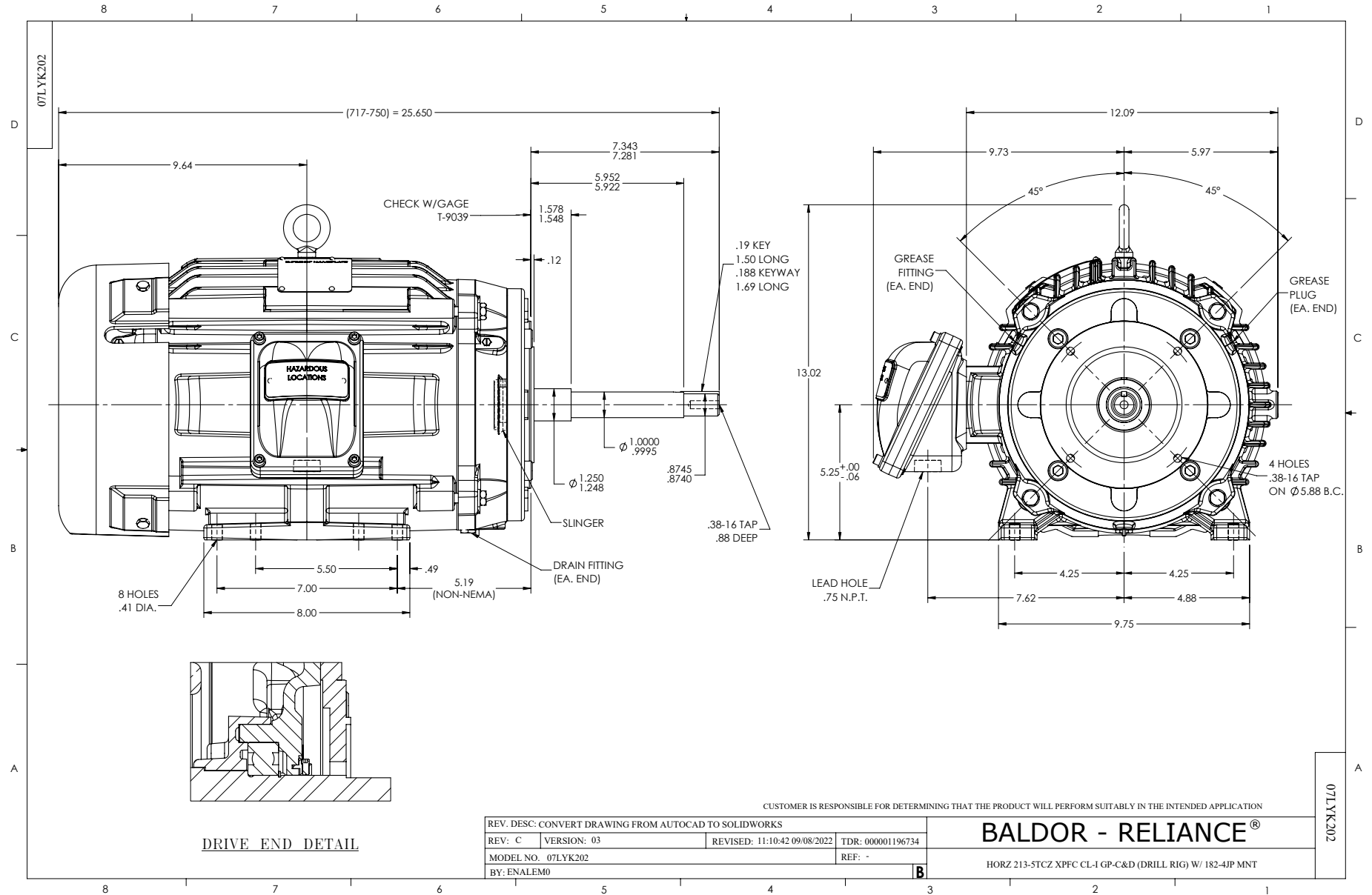
Typical performance - not guaranteed values.

10 HP 3 PH 60 HZ 1764 RPM 460 V 0750M

TORQUES (LB-FT): PO=94.2 PU=56.3 LR=62.4 LRA=95.7



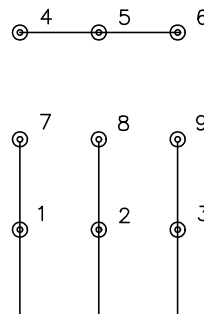
9/12/2024 ACPERF, record # 73683



CD0005

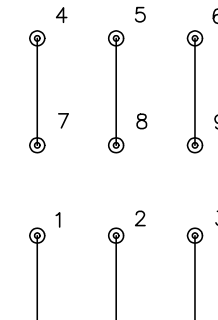


LOW VOLTAGE  
(2Y)



LINE

HIGH VOLTAGE  
(1Y)



LINE

NOTES:

1. INTERCHANGE ANY TWO LINE LEADS TO REVERSE ROTATION.
2. OPTIONAL THERMOSTATS ARE PROVIDED WHEN SPECIFIED.
3. ACTUAL NUMBER OF INTERNAL PARALLEL CIRCUITS MAY BE A MULTIPLE OF THOSE SHOWN ABOVE.
4. LEAD COLORS ARE OPTIONAL. LEADS MUST ALWAYS BE NUMBERED AS SHOWN.

CD0005

REV. DESC: REVISE TO SHOW OPTIONAL COLORS			
REV. LTR: E	BY: JLP	REVISED: 01/19/99 10:15	TDR: 0171435
S00000		FILE: AAA00005140	MDL: -
		MTL: -	

**BALDOR ELECTRIC Co.**

3PH, DV, 9 LEADS