

# ABB BALDOR RELIANCE III

---

## Customer information packet

JPDRX18544T-5

5HP, 1750RPM, 3PH, 60HZ, 184JP, XPFC, F1

Class - CLI GP C,D

Division - Division I

**Specifications**

<b>Enclosure</b>	XPFC
<b>Frame</b>	184JP
<b>Frame Material</b>	Iron
<b>Frequency</b>	60.00 Hz
<b>Haz Area Class and Group</b>	CLI GP C,D
<b>Haz Area Division</b>	Division I
<b>Motor Letter Type</b>	Three Phase
<b>Output @ Frequency</b>	5.000 HP @ 60 HZ
<b>Phase</b>	3
<b>Synchronous Speed @ Frequency</b>	1800 RPM @ 60 HZ
<b>Voltage @ Frequency</b>	575.0 V @ 60 HZ
<b>Agency Approvals</b>	CSA EEV UL
<b>Ambient Temperature</b>	40 °C
<b>Auxiliary Box</b>	NO AUXILLARY BOX
<b>Auxiliary Box Lead Termination</b>	None
<b>Base Indicator</b>	Rigid
<b>Bearing Grease Type</b>	Polyrex EM (-20F +300F)
<b>Blower</b>	None
<b>Constant Torque Speed Range</b>	6
<b>Current @ Voltage</b>	5.300 A @ 575.0 V
<b>Design Code</b>	B
<b>Drip Cover</b>	No Drip Cover
<b>Duty Rating</b>	CONT
<b>Efficiency @ 100% Load</b>	89.5 %
<b>Electrically Isolated Bearing</b>	Not Electrically Isolated
<b>Feedback Device</b>	NO FEEDBACK
<b>Haz Area Temp Code</b>	T3C
<b>Heater Indicator</b>	No Heater
<b>High Voltage Full Load Amps</b>	5.3 a
<b>Insulation Class</b>	F
<b>Inverter Code</b>	Inverter Duty

**Part Detail**

<b>Revision</b>	C
<b>Type</b>	AC
<b>Mech. spec.</b>	
<b>Base</b>	
<b>Status</b>	PRD/A
<b>Elec. spec.</b>	06WGX200
<b>Layout</b>	06LYH458
<b>Eff. date</b>	02-28-2024
<b>CD Diagram</b>	CD0006
<b>Poles</b>	04
<b>Leads</b>	3#16
<b>Proprietary</b>	False
<b>Created date</b>	08-02-2019

<b>IP Rating</b>	NONE
<b>KVA Code</b>	J
<b>Lifting Lugs</b>	Standard Lifting Lugs
<b>Locked Bearing Indicator</b>	Locked Bearing
<b>Max Speed</b>	2700 rpm
<b>Motor Lead Termination</b>	Flying Leads
<b>Motor Standards</b>	NEMA
<b>Motor Type</b>	0642M
<b>Mounting Arrangement</b>	F1
<b>Number of Poles</b>	4
<b>Overall Length</b>	22.09 IN
<b>Power Factor</b>	79
<b>Product Family</b>	General Purpose
<b>Pulley Face Code</b>	C-Face
<b>Rodent Screen</b>	None
<b>RoHS Status</b>	ROHS NON-COMPLIANT
<b>Service Factor</b>	1.00
<b>Shaft Diameter</b>	0.875 IN
<b>Shaft Ground Indicator</b>	No Shaft Grounding
<b>Shaft Rotation</b>	Reversible
<b>Speed</b>	1750 rpm
<b>Speed Code</b>	Single Speed
<b>Starting Method</b>	Direct on line
<b>Thermal Device - Bearing</b>	None
<b>Thermal Device - Winding</b>	Normally Closed Thermostat
<b>Vibration Sensor Indicator</b>	No Vibration Sensor
<b>Winding Thermal 1</b>	None
<b>Winding Thermal 2</b>	None

**Nameplate**

**NP1401XPSLEV**

<b>NO.</b>		<b>CC</b>	010A		
<b>S/N</b>		<b>TEMP CODE</b>	T3C		
<b>SPEC.</b>	06-0000-0192	<b>INV.TYPE</b>	PWM		
<b>CAT.NO.</b>	JPDRX18544T-5	<b>C HP FR</b>	60	<b>C HP TO</b>	90
<b>HP</b>	5	<b>CT HZ FROM</b>	6	<b>CT HZ TO</b>	60
<b>VOLTS</b>	575	<b>VT HZ FROM</b>	6	<b>VT HZ TO</b>	60
<b>AMPS</b>	5.3	<b>MAG CUR</b>	2.3		
<b>RPM</b>	1750	<b>MX RPM</b>	2700		
<b>HZ</b>	60	<b>PH</b>	3	<b>CL</b>	F
		<b>NOM.EFF.</b>	89.5		
<b>SER.F.</b>	1.00	<b>DES</b>	B	<b>SL HZ</b>	1.7
		<b>WK2</b>	0.39		
<b>FRAME</b>	184JP	<b>RATING</b>	40C AMB-CONT		
	55C AMB @ 1.0 SF				
	1.15 SF ON SINEWAVE		NEMA MG-1 PT 5,IP55		

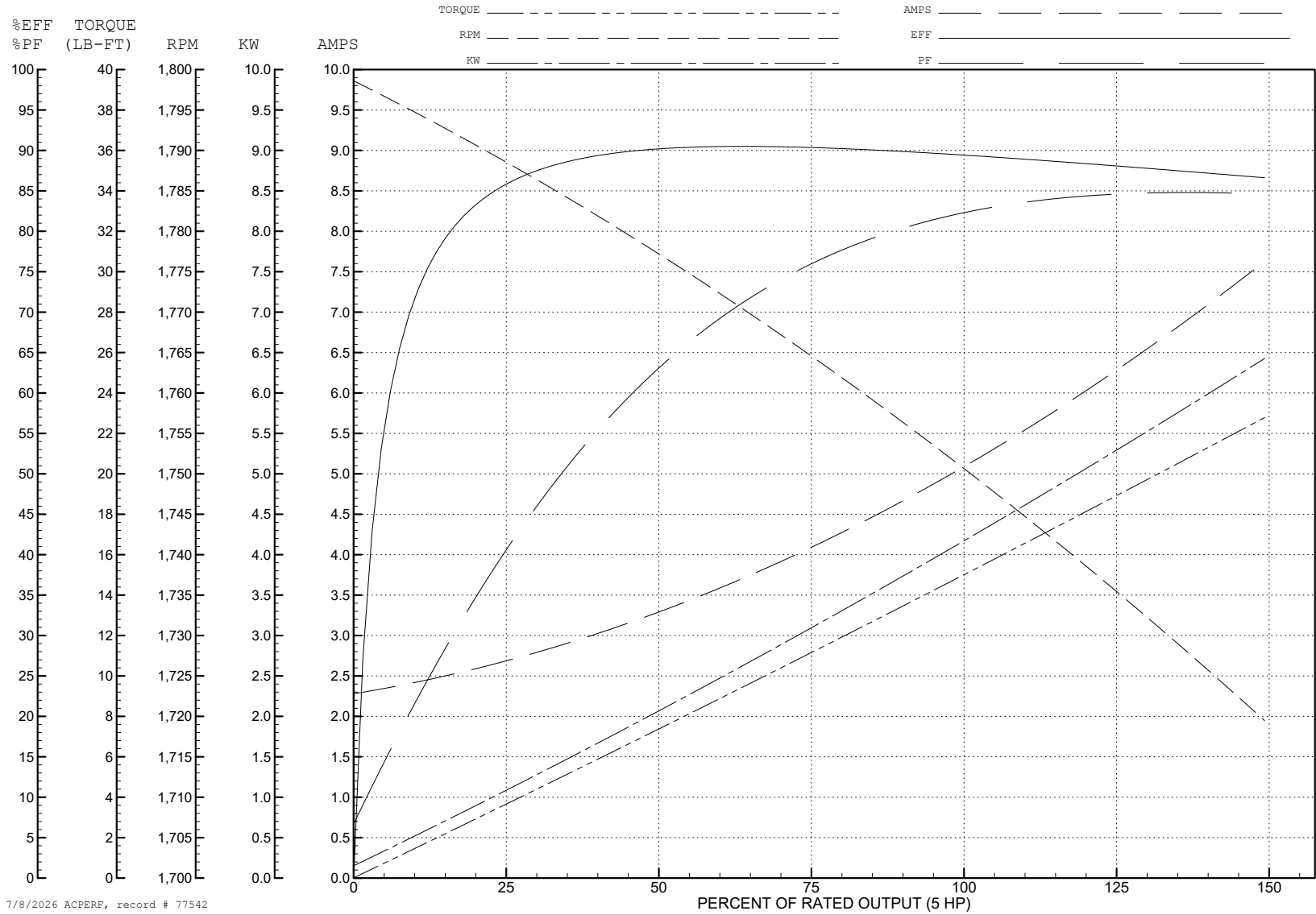
ABB Motors and Mechanical Inc.

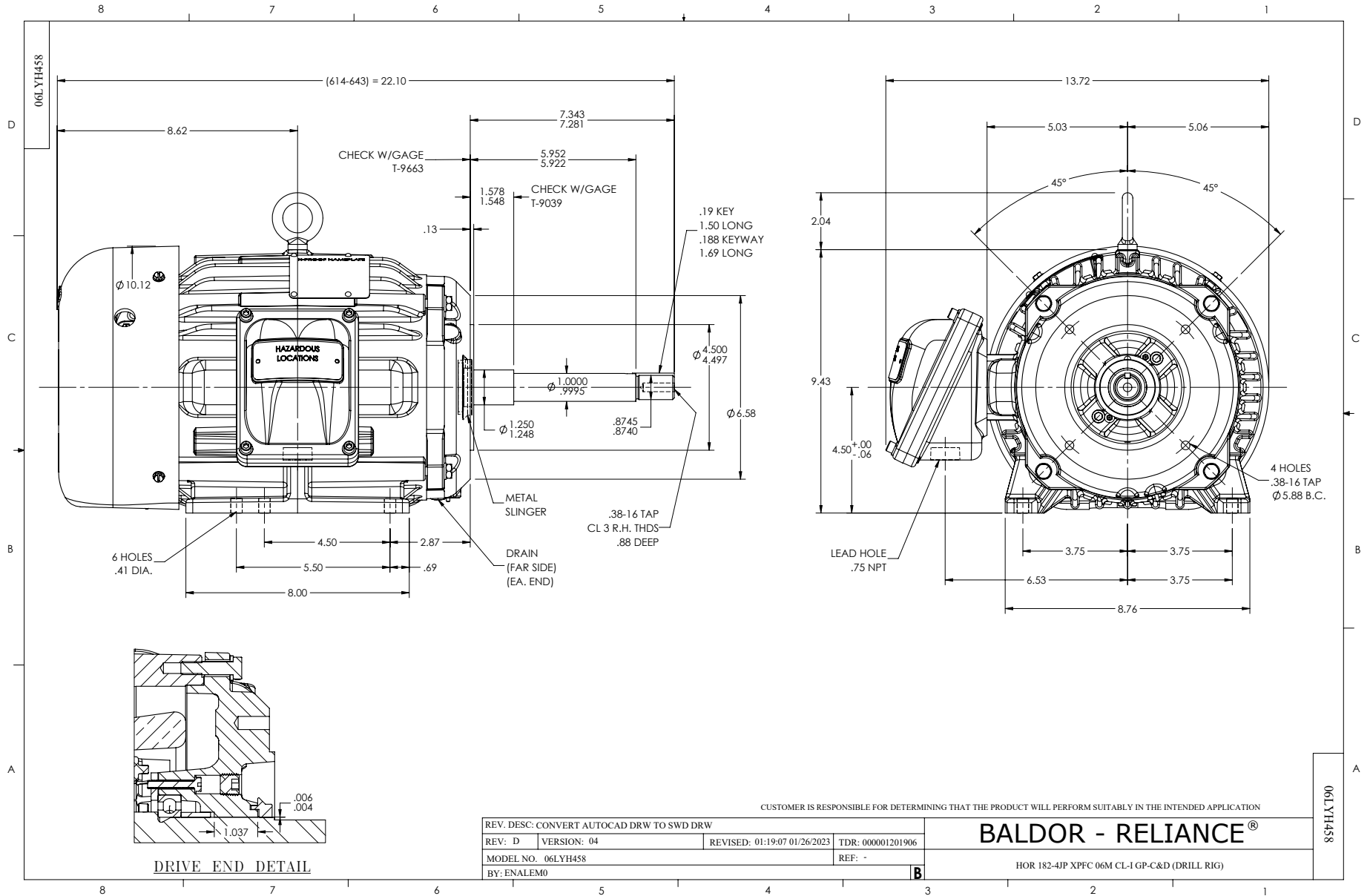
WINDING # 06WGX200

Typical performance - not guaranteed values.

5 HP 3 PH 60 HZ 1750 RPM 575 V 0642M

TORQUES (LB-FT): PO=52.3 PU=21.6 LR=30.7 LRA=36.3





CD0006



NOTES:

1. THREE LEAD MOTOR MAY BE EITHER WYE CONNECTED OR DELTA CONNECTED.
2. INTERCHANGE ANY TWO LINE LEADS TO REVERSE ROTATION.
3. OPTIONAL THERMOSTATS ARE PROVIDED WHEN SPECIFIED.
4. ACTUAL NUMBER OF INTERNAL PARALLEL CIRCUITS MAY VARY.
5. LEAD COLORS ARE OPTIONAL. LEADS MUST BE NUMBERED AS SHOWN.

CD0006

REV. DESC: ADD CLASS CONN00000007		
REV. LTR: E	VERSION: 01	TDR: 000001099922
FILE: \AAA\00005\141	REVISED: 10:24:49 02/19/2019	BY: ENBRIRO
MTL: -	© □	

**BALDOR - RELIANCE®**

3PH, SV, 3 LEADS, WYE OR DELTA CONNECTED

SH 1 of 1