

BALDOR® • RELIANCE™

Customer information packet

JMXM14321T

3HP, 3450RPM, 3PH, 60HZ, 145JM, 3532M, XPFC, F1

Class - CLI GP D

Division - Division I

Specifications

Enclosure	XPFC
Frame	145JM
Frame Material	Steel
Frequency	60.00 Hz
Haz Area Class and Group	CLI GP D
Haz Area Division	Division I
Motor Letter Type	Three Phase
Output @ Frequency	3.000 HP @ 60 HZ
Phase	3
Synchronous Speed @ Frequency	3600 RPM @ 60 HZ
Voltage @ Frequency	230.0 V @ 60 HZ 460.0 V @ 60 HZ
Agency Approvals	UL CSA EEV
Ambient Temperature	40 °C
Auxillary Box	No Auxillary Box
Auxillary Box Lead Termination	None
Base Indicator	Rigid
Bearing Grease Type	Polyrex EM (-20F +300F)
Blower	None
Current @ Voltage	3.600 A @ 460.0 V 7.200 A @ 230.0 V 7.900 A @ 208.0 V
Design Code	B
Drip Cover	No Drip Cover
Duty Rating	CONT
Efficiency @ 100% Load	86.5 %
Electrically Isolated Bearing	Not Electrically Isolated
Feedback Device	NO FEEDBACK
Haz Area Temp Code	T3C
Heater Indicator	No Heater
High Voltage Full Load Amps	3.6 a

Part detail

Revision	B
Type	AC
Mech. spec.	
Base	
Status	PRD/A
Elec. spec.	35WGQ060
Layout	35LYT904
Eff. date	03-08-2024
CD Diagram	CD0005
Poles	02
Leads	9#18
Proprietary	False
Created date	04-16-2021

Insulation Class	F
Inverter Code	Not Inverter
IP Rating	NONE
KVA Code	L
Lifting Lugs	No Lifting Lugs
Locked Bearing Indicator	Locked Bearing
Motor Lead Termination	Flying Leads
Motor Standards	NEMA
Motor Type	3532M
Mounting Arrangement	F1
Number of Poles	2
Overall Length	18.67 IN
Power Factor	92
Product Family	General Purpose
Pulley Face Code	C-Face
Rodent Screen	None
Service Factor	1.00
Shaft Diameter	0.875 IN
Shaft Ground Indicator	No Shaft Grounding
Shaft Rotation	Reversible
Speed	3450 rpm
Speed Code	Single Speed
Starting Method	Direct on line
Thermal Device - Bearing	None
Thermal Device - Winding	Normally Closed Thermostat
Vibration Sensor Indicator	No Vibration Sensor
Winding Thermal 1	None
Winding Thermal 2	None

Nameplate

NP0015XPSLEV			
NO.		CC	010A
SER.			
SPEC.	35-0000-1110		
CAT.NO.	JMXM14321T		
HP	3	T. CODE	T3C
VOLTS	230/460		
AMPS	7.2/3.6		
RPM	3450		
HZ	60	PH	3 CL F
SER.F.	1.00	DES	B CODE L
RATING	40C AMB-CONT		
FRAME	145JM	NEMA-NOM-EFF	86.5
		PF	92
BLANK	NEMA MG-1 PART 5, IP54		

AC Induction Motor Performance Data

Record # 53449

Typical performance - not guaranteed values

Winding: 35WGQ060-R025		Type: 3532M	Enclosure: XPFC	
Nameplate Data			460 V, 60 Hz: High Voltage Connection	
Rated Output (HP)	3	Full Load Torque	4.5 LB-FT	
Volts	230/460	Start Configuration	direct on line	
Full Load Amps	7.2/3.6	Breakdown Torque	18 LB-FT	
R.P.M.	3450	Pull-up Torque	11 LB-FT	
Hz	60 Phase	Locked-rotor Torque	16 LB-FT	
NEMA Design Code	B KVA Code	Starting Current	33 A	
Service Factor (S.F.)	1	No-load Current	1.2 A	
NEMA Nom. Eff.	86.5 Power Factor	Line-line Res. @ 25°C	4.7 Ω	
Rating - Duty	40C AMB-CONT	Temp. Rise @ Rated Load	61°C	
		Locked-rotor Power Factor	47.1	
		Rotor inertia	0.0885 LB-FT ²	

Load Characteristics 460 V, 60 Hz, 3 HP

% of Rated Load	25	50	75	100	125	150
Power Factor	57	77	85	88	89	90
Efficiency	84.1	87.9	88.4	87.2	85.7	83.5
Speed	3562	3531	3498	3462	3421	3375
Line amperes	1.5	2.1	2.8	3.6	4.5	5.4

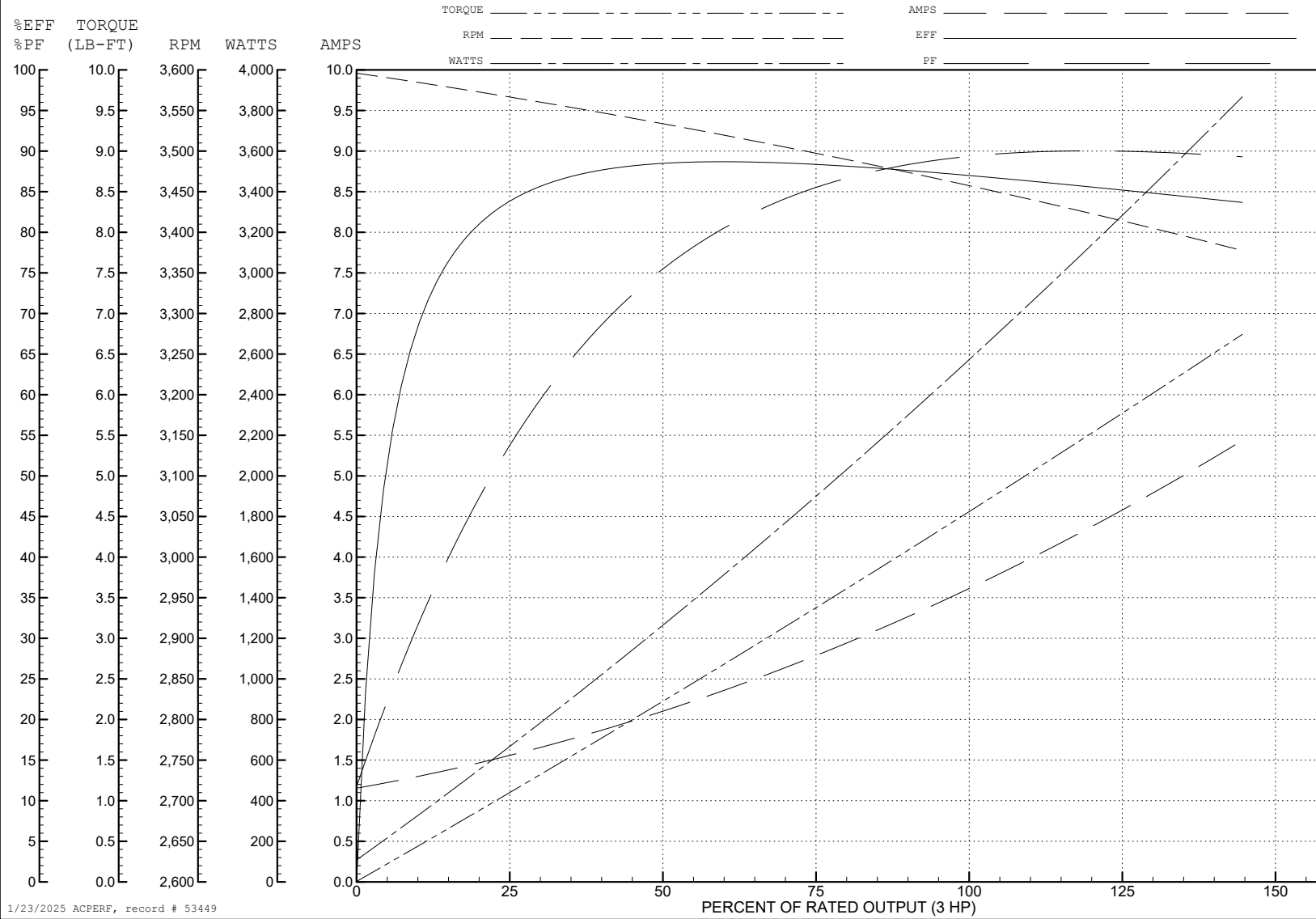
ABB Motors and Mechanical Inc.

WINDING # 35WGQ060

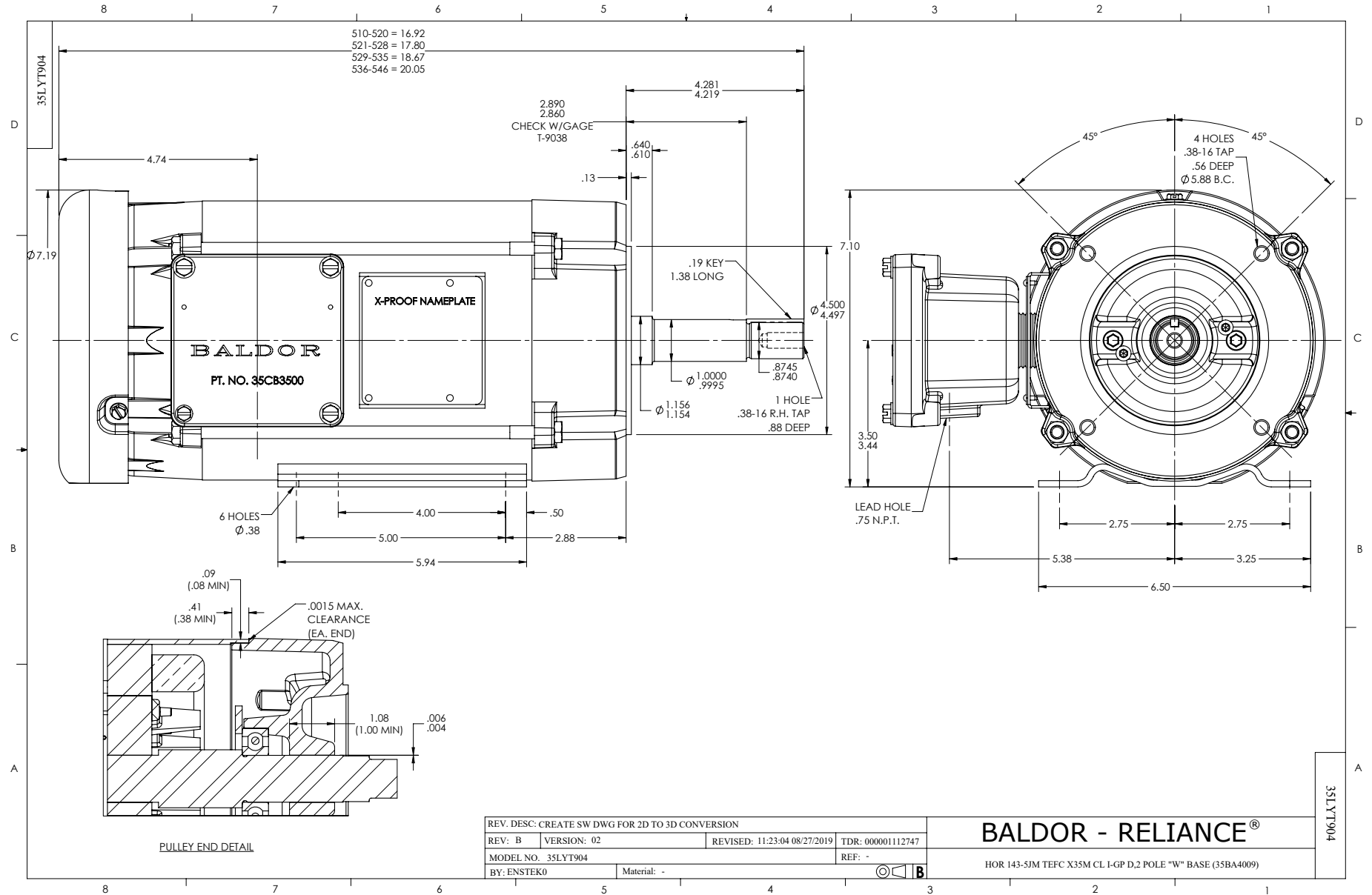
Typical performance - not guaranteed values.

3 HP 3 PH 60 HZ 3450 RPM 460 V 3532M

TORQUES (LB-FT): PO=18 PU=11 LR=16 LRA=33



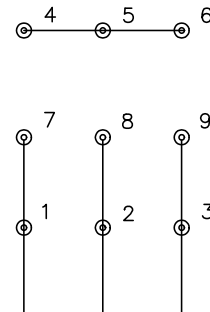
1/23/2025 ACPERF, record # 53449



CD0005



LOW VOLTAGE
(2Y)



LINE

HIGH VOLTAGE
(1Y)



LINE

NOTES:

1. INTERCHANGE ANY TWO LINE LEADS TO REVERSE ROTATION.
2. OPTIONAL THERMOSTATS ARE PROVIDED WHEN SPECIFIED.
3. ACTUAL NUMBER OF INTERNAL PARALLEL CIRCUITS MAY BE A MULTIPLE OF THOSE SHOWN ABOVE.
4. LEAD COLORS ARE OPTIONAL. LEADS MUST ALWAYS BE NUMBERED AS SHOWN.

CD0005

REV. DESC: REVISE TO SHOW OPTIONAL COLORS			
REV. LTR: E	BY: JLP	REVISED: 01/19/99 10:15	TDR: 0171435
S00000		FILE: AAA00005140	MDL: -
		MTL: -	

BALDOR ELECTRIC Co.

3PH, DV, 9 LEADS