

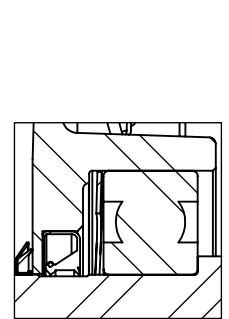
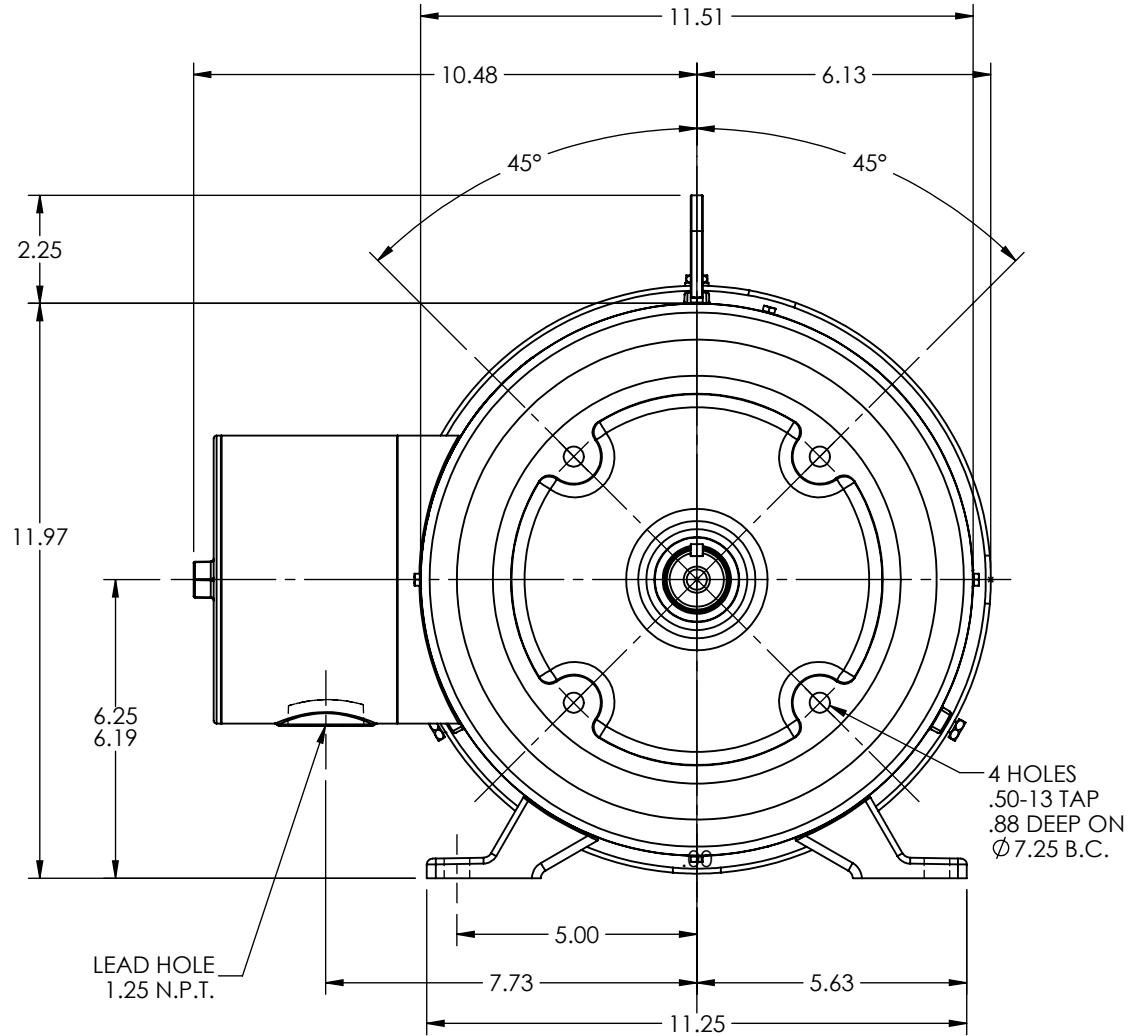
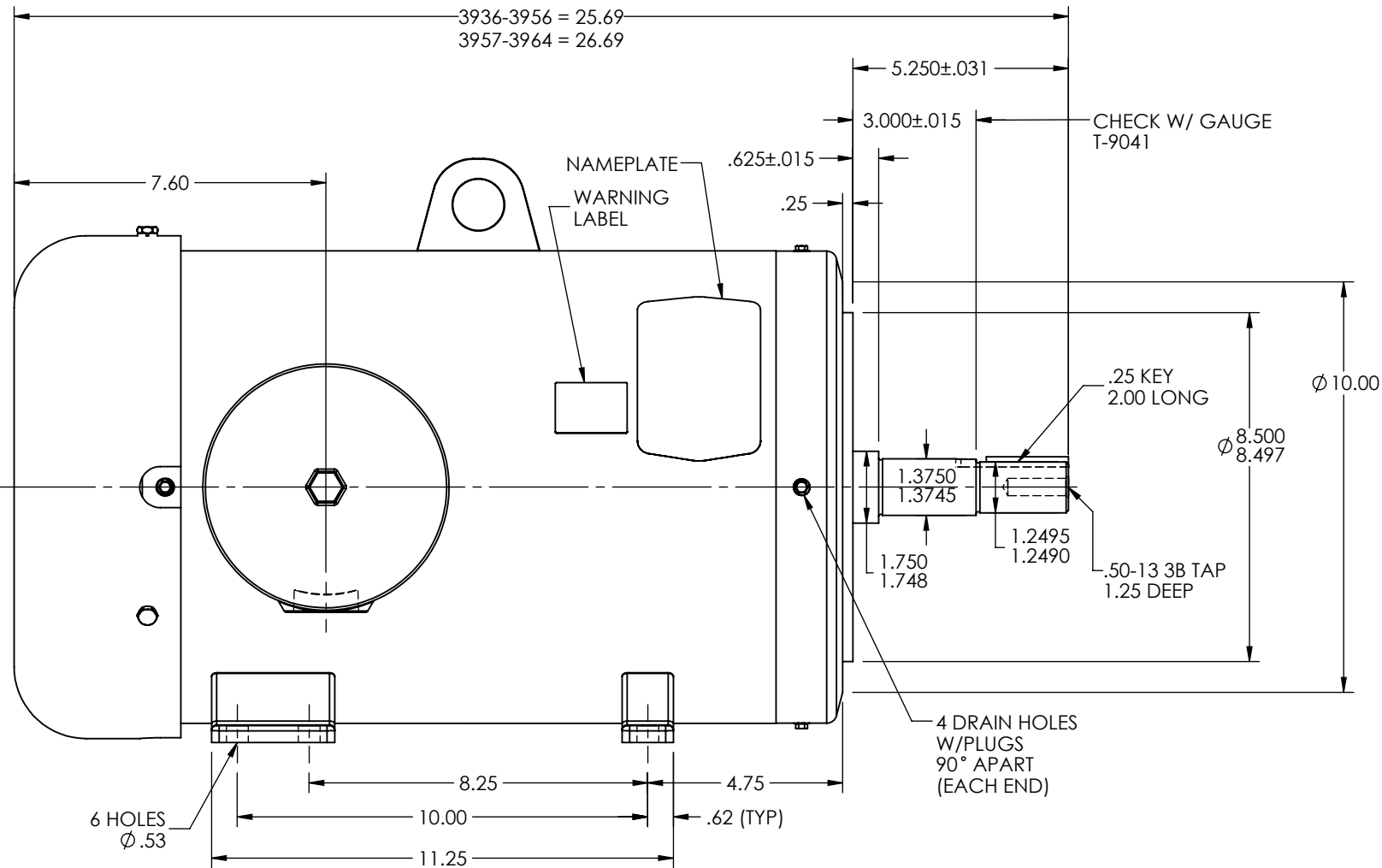
39LYE754

D

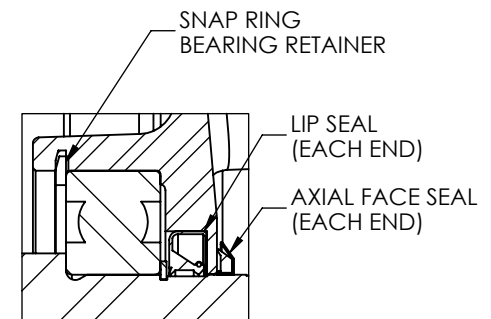
C

B

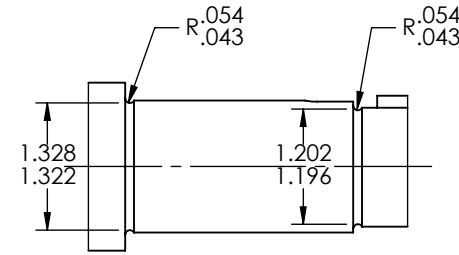
A



FRONT END DETAIL



PULLEY END DETAIL



UNDERCUT DETAIL

CUSTOMER IS RESPONSIBLE FOR DETERMINING THAT THE PRODUCT WILL PERFORM SUITABLY IN THE INTENDED APPLICATION

REV. DESC: REMOVE FACE DRAINS,DRAIN FTG;ADD DRAIN PLUG/NP			
REV: A	VERSION: 01	REVISED: 02:00:12 08/04/2023	TDR: 000001202642
MODEL NO. 39LYE754			REF: -
BY: ENFRAJ0			B

BALDOR - RELIANCE®

HORZ TEFC 254-6JM WD11/12

39LYE754

D

C

B

A

8 7 6 5 4 3 2 1