

**BALDOR • RELIANCE**

---

# Customer information packet

## JMFSWDM3713T-E

15HP, 3500RPM, 3PH, 60HZ, 213JM, 3756M, TEFC, F

Class - None

Division - Not Applicable

## Specifications

Enclosure	TEFC
Frame	213JM
Frame Material	Stainless Steel
Frequency	60.00 Hz
Haz Area Class and Group	None
Haz Area Division	Not Applicable
Motor Letter Type	Three Phase
Output @ Frequency	15.000 HP @ 60 HZ
Phase	3
Synchronous Speed @ Frequency	3600 RPM @ 60 HZ
Voltage @ Frequency	460.0 V @ 60 HZ 230.0 V @ 60 HZ
Agency Approvals	CSA EEV NEMA PREMIUM UR CSA
Ambient Temperature	40 °C
Auxillary Box	No Auxillary Box
Auxillary Box Lead Termination	None
Base Indicator	Rigid
Bearing Grease Type	Polyrex EM (-20F +300F)
Blower	None
Current @ Voltage	34.000 A @ 230.0 V 37.000 A @ 208.0 V 17.000 A @ 460.0 V
Design Code	A
Drip Cover	No Drip Cover
Duty Rating	CONT
Efficiency @ 100% Load	91.7 %
Electrically Isolated Bearing	Not Electrically Isolated
Feedback Device	NO FEEDBACK
Front Shaft Indicator	None

## Part detail

Revision	N
Type	AC
Mech. spec.	37Q257
Base	
Status	PRD/A
Elec. spec.	37WGR515
Layout	37LYQ257
Eff. date	06-24-2024
CD Diagram	CD0180
Poles	02
Leads	9#14,0#0 dbl dip & bake,0#0 phase insulate,0#0 CD0180 & Y
Proprietary	False
Created date	04-10-2018

Heater Indicator	No Heater
High Voltage Full Load Amps	17.0 a
Insulation Class	H
Inverter Code	Not Inverter
KVA Code	L
Lifting Lugs	Standard Lifting Lugs
Locked Bearing Indicator	Locked Bearing
Motor Lead Quantity/Wire Size	@ 0 AWG 9 @ 14 AWG
Motor Lead Termination	Flying Leads
Motor Standards	NEMA
Motor Type	3756M
Mounting Arrangement	F1
Number of Poles	2
Overall Length	23.56 IN
Power Factor	90
Product Family	WD All SS Encapsulated
Pulley End Bearing Type	Sealed Bearing
Pulley Face Code	C-Face
Pulley Shaft Indicator	Tapped & Key
Rodent Screen	None
RoHS Status	ROHS COMPLIANT
Service Factor	1.15
Shaft Diameter	0.875 IN
Shaft Ground Indicator	No Shaft Grounding
Shaft Rotation	Reversible
Shaft Slinger Indicator	No Slinger
Speed	3500 rpm
Speed Code	Single Speed
Starting Method	Direct on line
Thermal Device - Bearing	None
Thermal Device - Winding	None
Vibration Sensor Indicator	No Vibration Sensor
Winding Thermal 1	None

**Winding Thermal 2**

**None**

---

Nameplate

NP4427AAA05

<b>CAT #</b>	JMFSWDM3713T-E	<b>WGT</b>		<b>LBS</b>	
<b>SPEC</b>	37Q257R515G1	<b>ENCL</b>	TEFC		
<b>SER #</b>		<b>CC</b>	010A	<b>IP</b>	69
<b>HP</b>	15	<b>MAG CUR</b>	11/5.5		
<b>VOLTS</b>	230/460	<b>NEMA NOM. EFF</b>			91.7
<b>AMPS</b>	34/17	<b>PF</b>	90		
<b>RATING</b>	40C AMB-CONT				
<b>RPM</b>	3500	<b>MAX RPM</b>	5400		
<b>FRAME</b>	213JM	<b>HZ</b>	60	<b>CODE</b>	L CLASS H
<b>SER.F.</b>	1.15	<b>SF AMP</b>		<b>PH</b>	3 DES A
<b>DE</b>	6309	<b>ODE</b>	6307		
<b>LUBRICATION</b>	POLYREX EM				
<b>ID LOGO</b>	<b>INV TYPE:</b>	<b>VPWM</b>	<b>CHP</b>	60	<b>TO</b> 90 1.5:1
<b>ID LOGO</b>	<b>WK2</b> 0.512	<b>CT</b> 15	<b>TO</b>	60	4:1
<b>ID LOGO</b>	<b>SL HZ</b> 1.7	<b>VT</b> 6	<b>TO</b>	60	10:1
<b>YR</b>					<b>QR</b>

**AC Induction Motor Performance Data**

Record # 43026

Typical performance - not guaranteed values

<b>Winding: 37WGR515-R001</b>		<b>Type: 3756M</b>		<b>Enclosure: TEFC</b>	
<b>Nameplate Data</b>			<b>460 V, 60 Hz: High Voltage Connection</b>		
<b>Rated Output (HP)</b>	15		<b>Full Load Torque</b>	22.4 LB-FT	
<b>Volts</b>	230/460		<b>Start Configuration</b>	direct on line	
<b>Full Load Amps</b>	34/17		<b>Breakdown Torque</b>	129 LB-FT	
<b>R.P.M.</b>	3500		<b>Pull-up Torque</b>	62.1 LB-FT	
<b>Hz</b>	<b>60 Phase</b>	3	<b>Locked-rotor Torque</b>	81.4 LB-FT	
<b>NEMA Design Code</b>	<b>A KVA Code</b>	L	<b>Starting Current</b>	187 A	
<b>Service Factor (S.F.)</b>	1.15		<b>No-load Current</b>	5.43 A	
<b>NEMA Nom. Eff.</b>	<b>91.7 Power Factor</b>	90	<b>Line-line Res. @ 25°C</b>	0.42167 Ω	
<b>Rating - Duty</b>	40C AMB-CONT		<b>Temp. Rise @ Rated Load</b>	78°C	
<b>S.F. Amps</b>			<b>Temp. Rise @ S.F. Load</b>	96°C	
			<b>Locked-rotor Power Factor</b>	30	
			<b>Rotor inertia</b>	0.512 LB-FT <sup>2</sup>	

**Load Characteristics 460 V, 60 Hz, 15 HP**

<b>% of Rated Load</b>	<b>25</b>	<b>50</b>	<b>75</b>	<b>100</b>	<b>125</b>	<b>150</b>	<b>S.F.</b>
<b>Power Factor</b>	59	82	87	90	92	93	91
<b>Efficiency</b>	88.1	92	92.4	91.9	91.1	89.9	91.4
<b>Speed</b>	3575.6	3551.4	3525.1	3498.7	3469.7	3437.4	3481
<b>Line amperes</b>	6.71	9.36	13.1	16.9	20.8	25.3	19.2

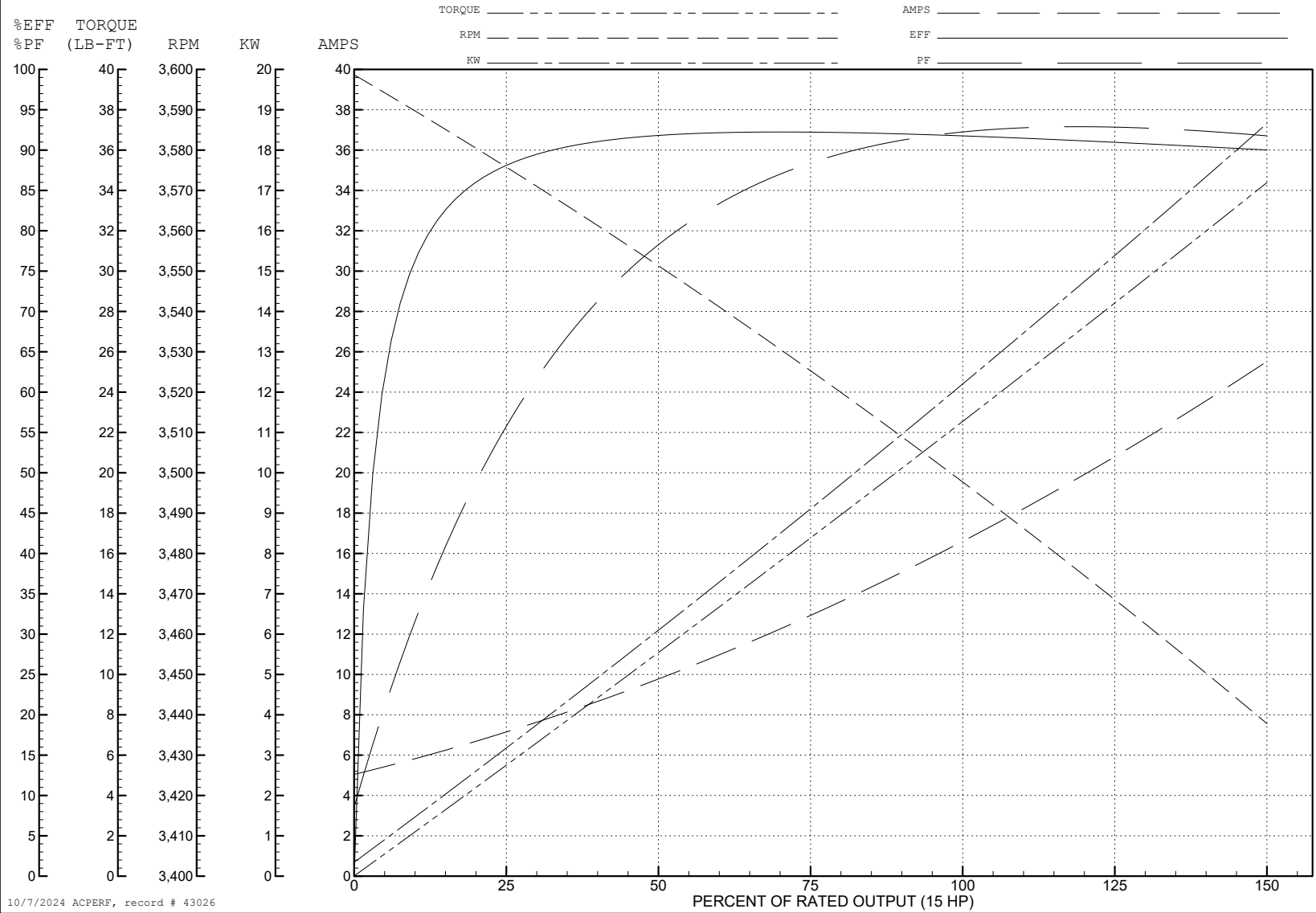
ABB Motors and Mechanical Inc.

WINDING # 37WGR515

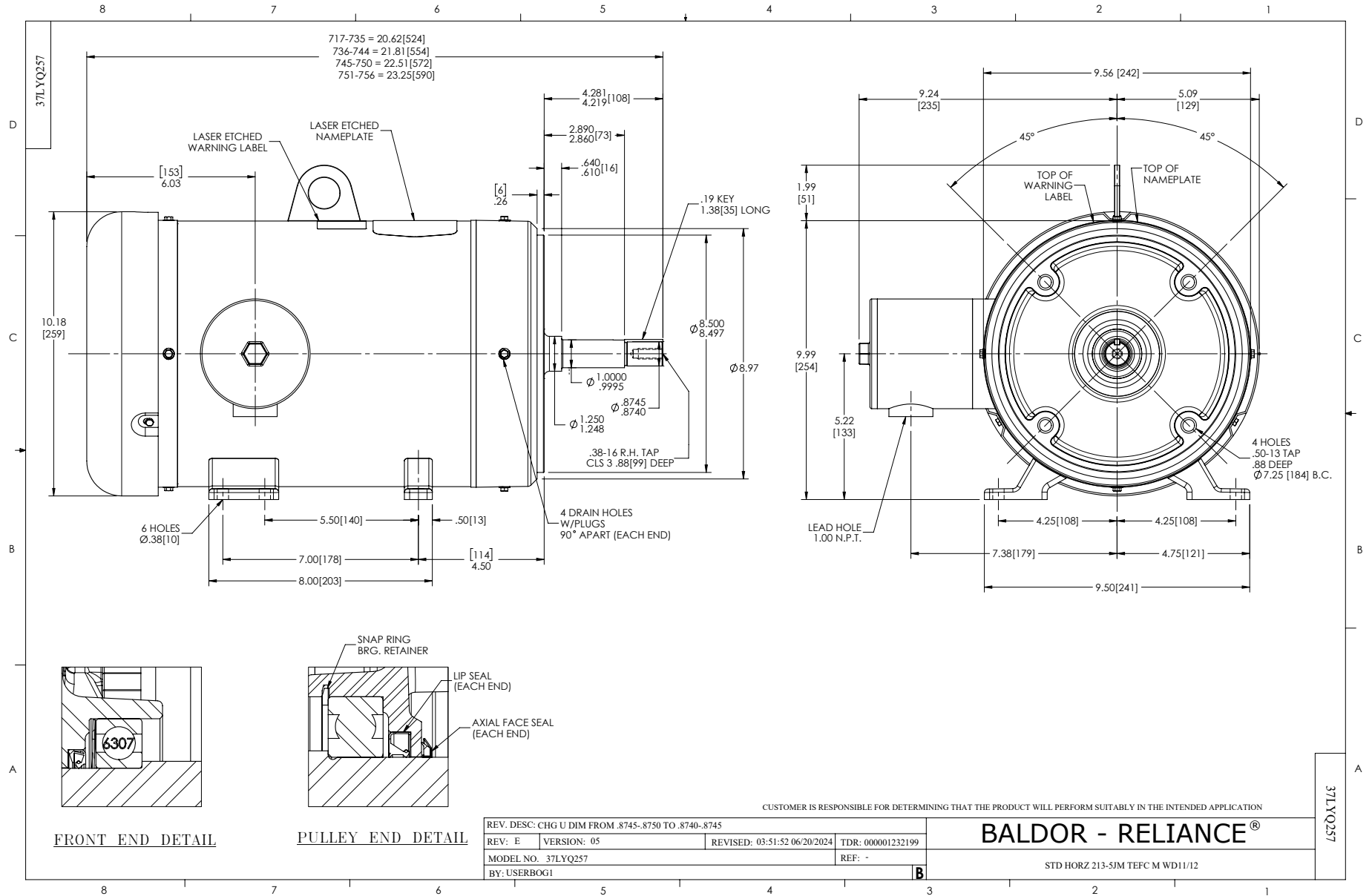
15 HP 3 PH 60 HZ 3500 RPM 460 V 3756M

Typical performance - not guaranteed values.

TORQUES (LB-FT): PO=129 PU=62.1 LR=81.4 LRA=187

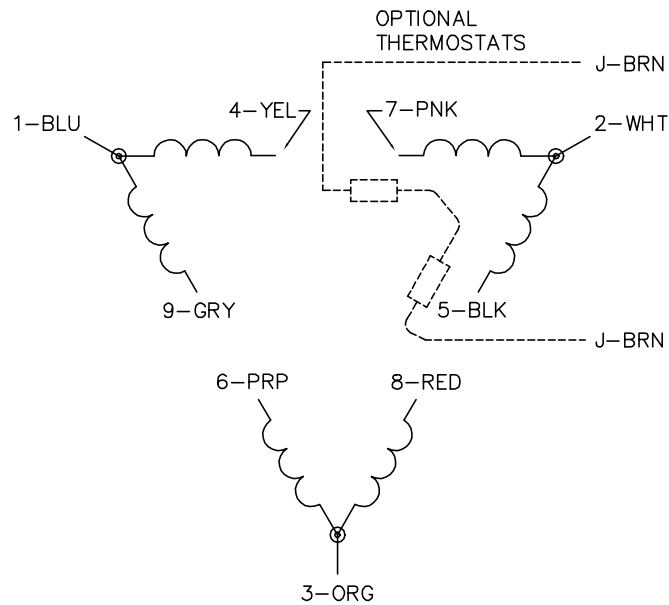


10/7/2024 ACPERF, record # 43026

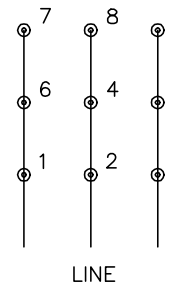




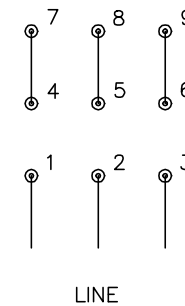
CD0180



LOW VOLTAGE  
(2D)



HIGH VOLTAGE  
(1D)



NOTES:

1. INTERCHANGE ANY TWO LINE LEADS TO REVERSE ROTATION.
2. OPTIONAL THERMOSTATS ARE PROVIDED WHEN SPECIFIED.
3. ACTUAL NUMBER OF INTERNAL PARALLEL CIRCUITS MAY BE A MULTIPLE OF THOSE SHOWN ABOVE.
4. LEAD COLORS ARE OPTIONAL. LEADS MUST ALWAYS BE NUMBERED AS SHOWN.

CD0180

REV. DESC: ADD CLASS CONN00000007		
REV. LTR: D	VERSION: 01	TDR: 000001099922
FILE: \AAA\00005\148	REVISED: 10: 25: 29 02/19/2019	BY: ENBRIRO
MTL: -	© □	

**BALDOR - RELIANCE®**

3PH, DV, 9 LEADS, DELTA CONNECTION

SH 1 of 1