

ABB BALDOR RELIANCE III

Customer information packet

JMFSWDM3710T-E

7.5HP, 1770RPM, 3PH, 60HZ, 213JM, 3740M, TEFC

Class - None

Division - Not Applicable

Specifications

Enclosure	TEFC
Frame	213JM
Frame Material	Stainless Steel
Frequency	60.00 Hz
Haz Area Class and Group	None
Haz Area Division	Not Applicable
Motor Letter Type	Three Phase
Output @ Frequency	7.500 HP @ 60 HZ
Phase	3
Synchronous Speed @ Frequency	1800 RPM @ 60 HZ
Voltage @ Frequency	460.0 V @ 60 HZ 230.0 V @ 60 HZ
Agency Approvals	CSA CSA EEV NEMA PREMIUM UR
Ambient Temperature	40 °C
Auxiliary Box	NO AUXILLARY BOX
Auxiliary Box Lead Termination	None
Base Indicator	Rigid
Bearing Grease Type	Polyrex EM (-20F +300F)
Blower	None
Current @ Voltage	19.000 A @ 230.0 V 9.500 A @ 460.0 V
Design Code	A
Drip Cover	No Drip Cover
Duty Rating	CONT
Efficiency @ 100% Load	91.7 %
Electrically Isolated Bearing	Not Electrically Isolated
Feedback Device	NO FEEDBACK
Front Face Code	Standard
Front Shaft Indicator	None

Part Detail

Revision	R
Type	AC
Mech. spec.	37Q257
Base	
Status	PRD/A
Elec. spec.	37WGS250
Layout	37LYQ257
Eff. date	02-11-2026
CD Diagram	CD0005
Poles	04
Leads	9#14
Proprietary	False
Created date	10-13-2017

Heater Indicator	No Heater
High Voltage Full Load Amps	9.5 a
Insulation Class	H
Inverter Code	Inverter Ready
KVA Code	J
Lifting Lugs	Standard Lifting Lugs
Locked Bearing Indicator	Locked Bearing
Motor Lead Exit	Ko Box
Motor Lead Quantity/Wire Size	9 @ 14 AWG
Motor Lead Termination	Flying Leads
Motor Standards	NEMA
Motor Type	3740M
Mounting Arrangement	F1
Number of Poles	4
Overall Length	21.81 IN
Power Factor	81
Product Family	WD All SS Encapsulated
Pulley End Bearing Type	Sealed Bearing
Pulley Face Code	C-Face
Pulley Shaft Indicator	Tapped & Key
Rodent Screen	None
RoHS Status	ROHS COMPLIANT
Service Factor	1.15
Shaft Diameter	0.875 IN
Shaft Extension Location	Pulley End
Shaft Ground Indicator	No Shaft Grounding
Shaft Rotation	Reversible
Shaft Slinger Indicator	No Slinger
Speed	1770 rpm
Speed Code	Single Speed
Starting Method	Direct on line
Thermal Device - Bearing	None
Thermal Device - Winding	None
Vibration Sensor Indicator	No Vibration Sensor

Winding Thermal 1

None

Winding Thermal 2

None

Nameplate

NP4427AAA01											
CAT #	JMFSWDM3710T-E				WT	139	LBS				
SPEC	37Q257S250G1				ENCL	TEFC					
SER #					CC	010A	IP	69			
HP	7.5		MAG CUR	8.8/4.4							
VOLTS	230/460				NEMA NOM. EFF	91.7					
AMPS	19/9.5				PF	81					
RATING	40C AMB-CONT										
RPM	1770				MAX RPM	2700					
FRAME	213JM	HZ	60		CODE	J	CLASS	H			
SER.F.	1.15	SF AMP	22/11		PH	3	DES	A			
DE	6309		ODE	6307							
LUBRICATION	POLYREX EM										
ID LOGO	INVERTER TYPE		VPWM	CHP	60	TO	90	1.5:1			
ID LOGO	WK2	0.98	CT	15	TO	60	4:1				
ID LOGO	SL HZ	1	VT	6	TO	60	10:1				
YR					QR						

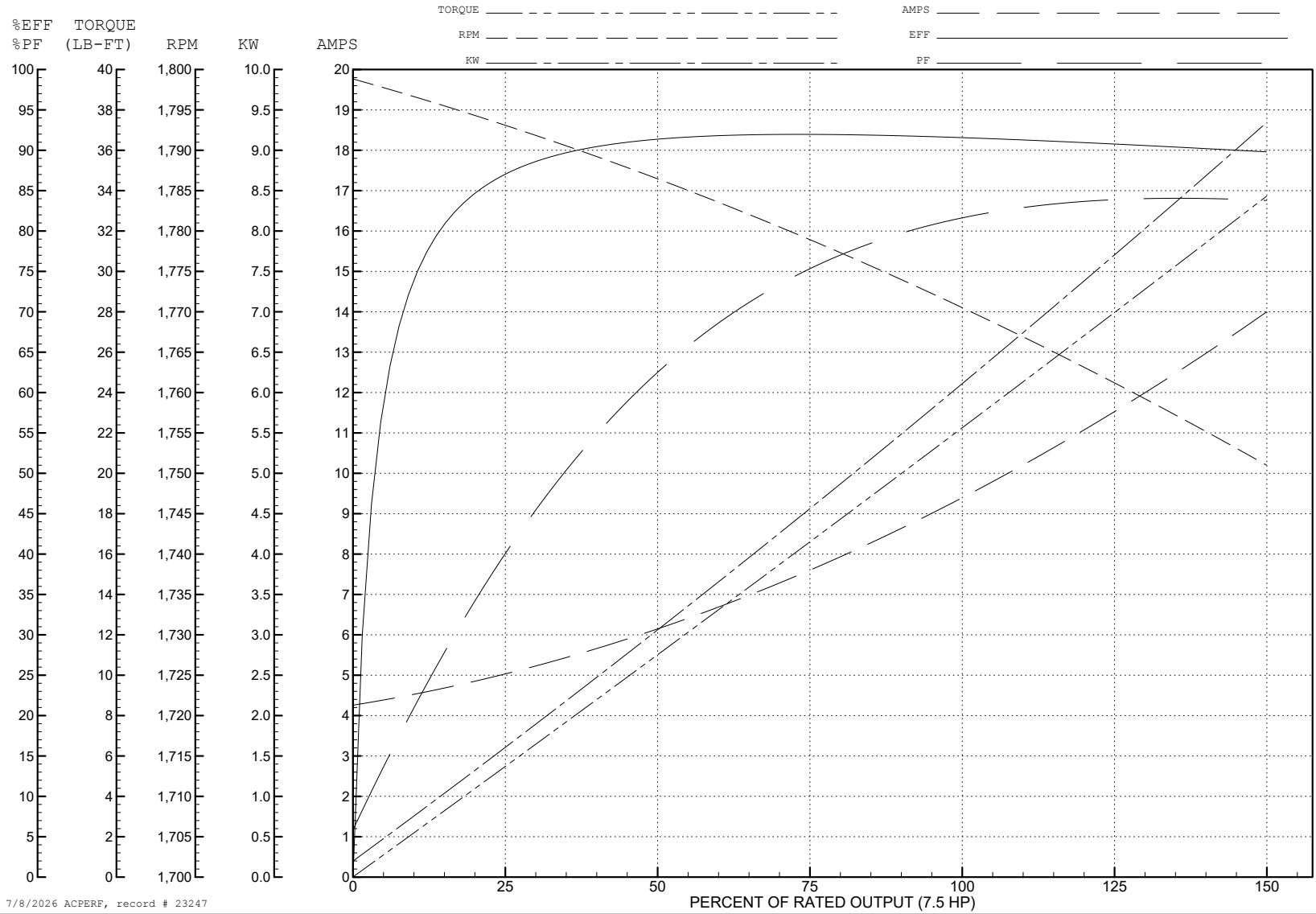
ABB Motors and Mechanical Inc.

WINDING # 37WGS250

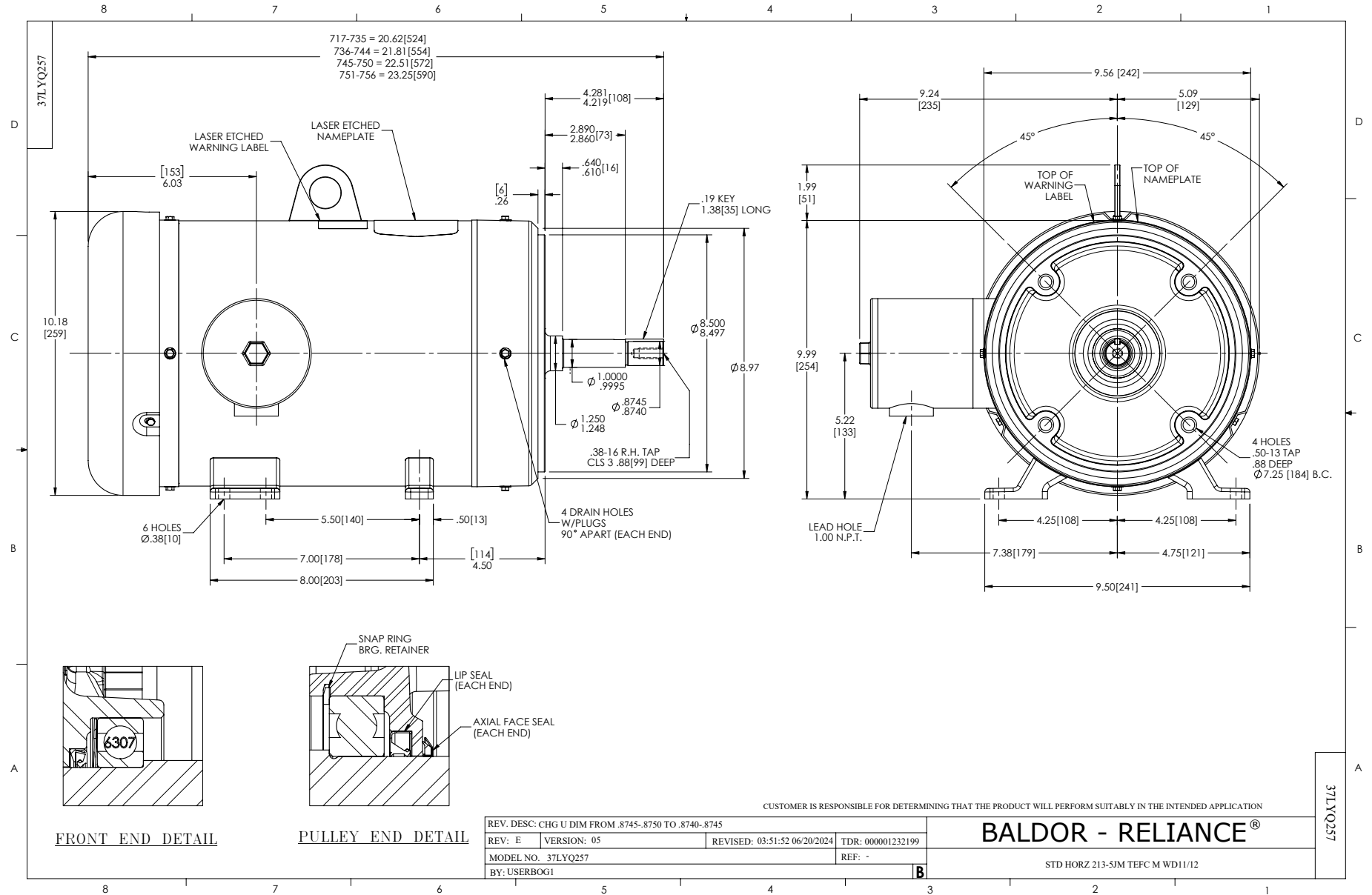
Typical performance - not guaranteed values.

7.5 HP 3 PH 60 HZ 1770 RPM 460 V 3740M

TORQUES (LB-FT): PO=73.15 PU=39.78 LR=47.8 LRA=74.95



7/8/2026 ACPERF, record # 23247



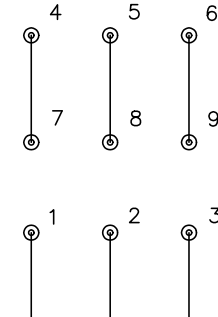
CD0005



LOW VOLTAGE
(2Y)



HIGH VOLTAGE
(1Y)



NOTES:

1. INTERCHANGE ANY TWO LINE LEADS TO REVERSE ROTATION.
2. OPTIONAL THERMOSTATS ARE PROVIDED WHEN SPECIFIED.
3. ACTUAL NUMBER OF INTERNAL PARALLEL CIRCUITS MAY BE A MULTIPLE OF THOSE SHOWN ABOVE.
4. LEAD COLORS ARE OPTIONAL. LEADS MUST ALWAYS BE NUMBERED AS SHOWN.

CD0005

REV. DESC: REVISE TO SHOW OPTIONAL COLORS

REV. LTR: E BY: JLP REVISED: 01/19/99 10:15 TDR: 0171435

500000

FILE: AAA00005140

MDL: -

MTL: -

BALDOR ELECTRIC Co.

3PH, DV, 9 LEADS