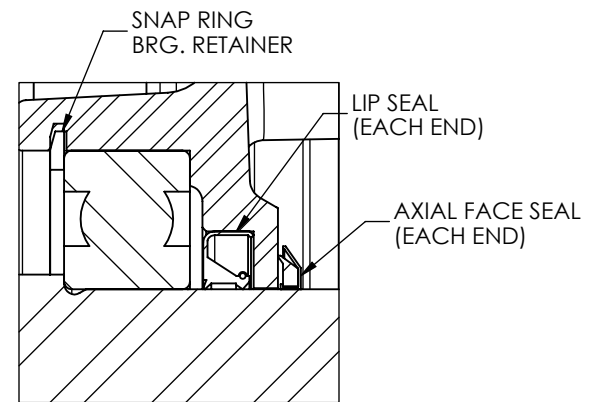


FRONT END DETAIL



PULLEY END DETAIL

CUSTOMER IS RESPONSIBLE FOR DETERMINING THAT THE PRODUCT WILL PERFORM SUITABLY IN THE INTENDED APPLICATION

REV. DESC: CHG U DIM FROM .8745-.8750 TO .8740-.8745			
REV: E	VERSION: 05	REVISED: 03:51:52 06/20/2024	TDR: 000001232199
MODEL NO. 37LYQ257			REF: -
BY: USERBOG1			B

BALDOR - RELIANCE®

STD HORZ 213-5JM TEFC M WD11/12

37LYQ257