

# ABB BALDOR RELIANCE III

---

## Customer information packet

JMFSWDM3558T-E

2HP, 1760RPM, 3PH, 60HZ, 145JM, 3532M, TEFC, N

Class - None

Division - Not Applicable

**Specifications**

<b>Enclosure</b>	TEFC
<b>Frame</b>	145JM
<b>Frame Material</b>	Stainless Steel
<b>Frequency</b>	60.00 Hz
<b>Haz Area Class and Group</b>	None
<b>Haz Area Division</b>	Not Applicable
<b>Motor Letter Type</b>	Three Phase
<b>Output @ Frequency</b>	2.000 HP @ 60 HZ
<b>Phase</b>	3
<b>Synchronous Speed @ Frequency</b>	1800 RPM @ 60 HZ
<b>Voltage @ Frequency</b>	460.0 V @ 60 HZ 230.0 V @ 60 HZ
<b>Agency Approvals</b>	CURUSEEV NEMA PREMIUM WEEE
<b>Ambient Temperature</b>	40 °C
<b>Auxiliary Box</b>	NO AUXILLARY BOX
<b>Auxiliary Box Lead Termination</b>	None
<b>Base Indicator</b>	Rigid
<b>Bearing Grease Type</b>	Polyrex EM (-20F +300F)
<b>Blower</b>	None
<b>Current @ Voltage</b>	5.600 A @ 230.0 V 6.000 A @ 208.0 V 2.800 A @ 460.0 V
<b>Design Code</b>	B
<b>Drip Cover</b>	No Drip Cover
<b>Duty Rating</b>	CONT
<b>Efficiency @ 100% Load</b>	86.5 %
<b>Electrically Isolated Bearing</b>	Not Electrically Isolated
<b>Feedback Device</b>	NO FEEDBACK
<b>Front Shaft Indicator</b>	None
<b>Heater Indicator</b>	No Heater

**Part Detail**

<b>Revision</b>	-
<b>Type</b>	AC
<b>Mech. spec.</b>	35E4781
<b>Base</b>	
<b>Status</b>	PRD/A
<b>Elec. spec.</b>	35WGK632
<b>Layout</b>	35LYE4781
<b>Eff. date</b>	03-04-2025
<b>CD Diagram</b>	CD0005
<b>Poles</b>	04
<b>Leads</b>	9#18
<b>Proprietary</b>	False
<b>Created date</b>	02-28-2025

High Voltage Full Load Amps	2.8 a
Insulation Class	H
Inverter Code	Inverter Duty
KVA Code	L
Lifting Lugs	No Lifting Lugs
Locked Bearing Indicator	Locked Bearing
Max Speed	2700 rpm
Motor Finish	UNPAINTED
Motor Lead Quantity/Wire Size	9 @ 18 AWG
Motor Lead Termination	Flying Leads
Motor Standards	NEMA
Motor Type	3532M
Mounting Arrangement	F1
Number of Poles	4
Overall Length	16.15 IN
Power Factor	77
Product Family	WD All SS Encapsulated
Pulley End Bearing Type	Sealed Bearing
Pulley Face Code	C-Face
Pulley Shaft Indicator	Tapped & Key
Rodent Screen	None
Service Factor	1.15
Shaft Diameter	0.875 IN
Shaft Ground Indicator	No Shaft Grounding
Shaft Rotation	Reversible
Shaft Slinger Indicator	No Slinger
Speed	1760 rpm
Speed Code	Single Speed
Starting Method	Direct on line
Thermal Device - Bearing	None
Thermal Device - Winding	None
Vibration Sensor Indicator	No Vibration Sensor
Winding Thermal 1	None
Winding Thermal 2	None

**Nameplate**

<b>NP4427AAA01</b>											
<b>CAT #</b>	JMFSWDM3558T-E			<b>WT</b>	51	<b>LBS</b>					
<b>SPEC</b>	35E4781K632G1			<b>ENCL</b>	TEFC						
<b>SER #</b>				<b>CC</b>	010A	<b>IP</b>	69				
<b>HP</b>	2	<b>MAG CUR</b>		3.2/1.6							
<b>VOLTS</b>	230/460			<b>NEMA NOM. EFF</b>			86.5				
<b>AMPS</b>	5.6/2.8			<b>PF</b>	77						
<b>RATING</b>	40C AMB-CONT										
<b>RPM</b>	1760			<b>MAX RPM</b>		2700					
<b>FRAME</b>	145JM	<b>HZ</b>	60	<b>CODE</b>	L	<b>CLASS</b>	H				
<b>SER.F.</b>	1.15	<b>SF AMP</b>	6.3/3.15		<b>PH</b>	3	<b>DES</b>	B			
<b>DE</b>	6206		<b>ODE</b>	6205							
<b>LUBRICATION</b>	POLYREX EM										
<b>ID LOGO</b>	<b>INVERTER TYPE</b>		<b>VPWM</b>	<b>CHP</b>	60	<b>TO</b>	90	1.5:1			
<b>ID LOGO</b>	<b>WK2</b>	0.232	<b>CT</b>	15	<b>TO</b>	60	4:1				
<b>ID LOGO</b>	<b>SL HZ</b>	1.2	<b>VT</b>	3	<b>TO</b>	60	20:1				
<b>YR</b>				<b>QR</b>							

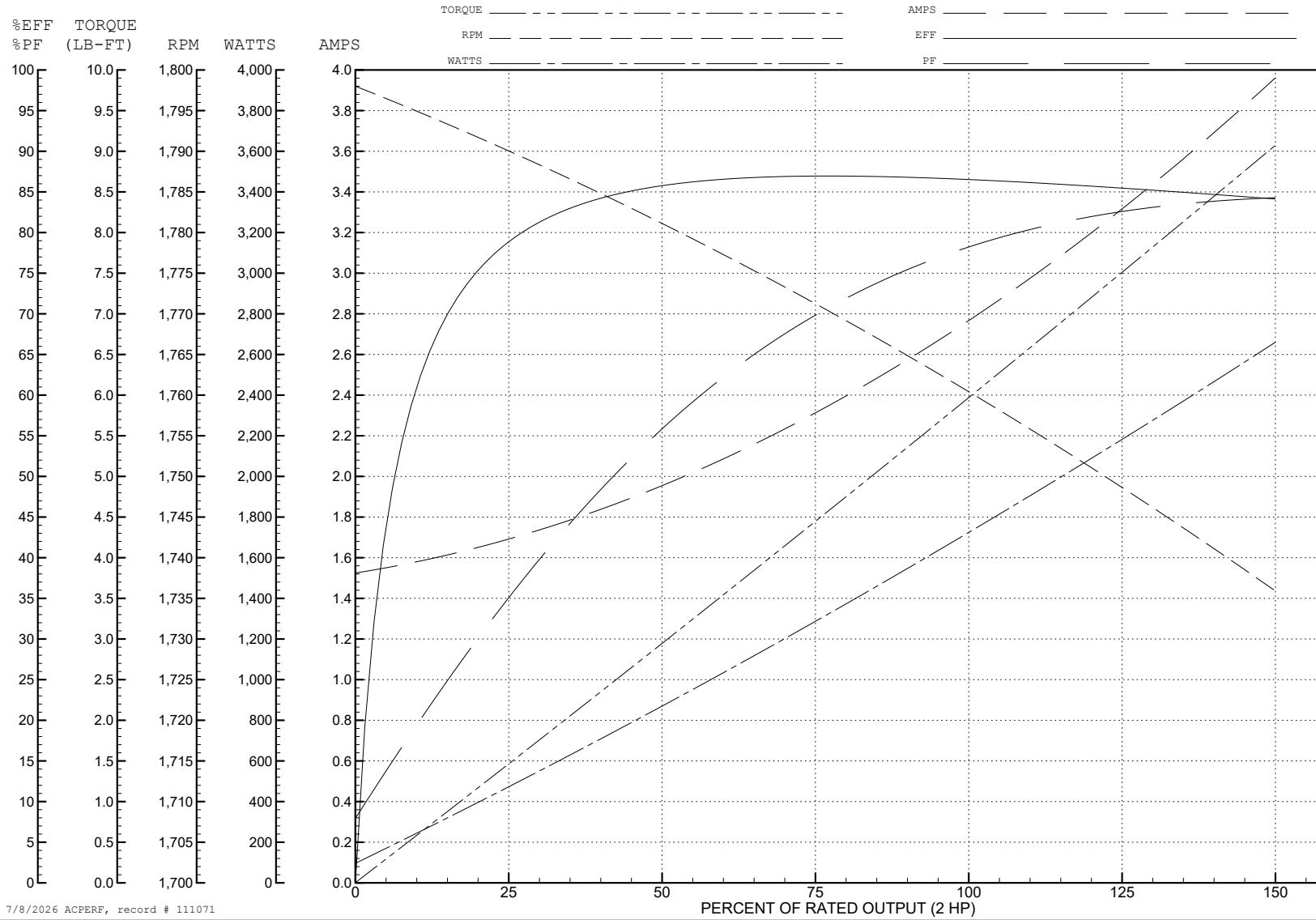
ABB Motors and Mechanical Inc.

WINDING # 35WGK632

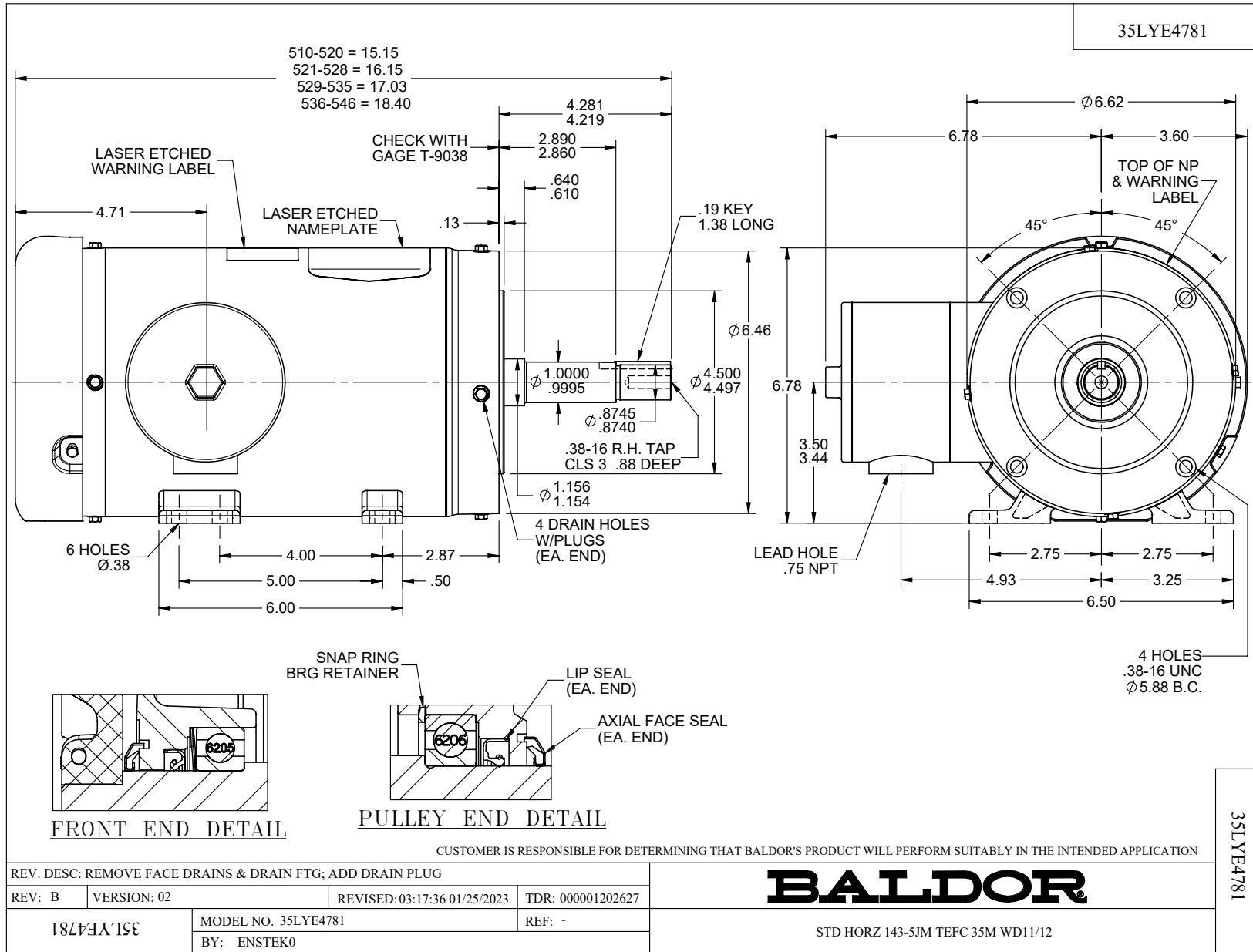
Typical performance - not guaranteed values.

2 HP 3 PH 60 HZ 1760 RPM 460 V 3532M

TORQUES (LB-FT): PO=22.9 PU=12.9 LR=16.3 LRA=24.4



7/8/2026 ACPERF, record # 111071



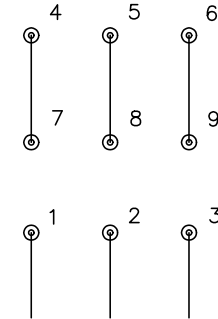
CD0005



LOW VOLTAGE  
(2Y)



HIGH VOLTAGE  
(1Y)



NOTES:

1. INTERCHANGE ANY TWO LINE LEADS TO REVERSE ROTATION.
2. OPTIONAL THERMOSTATS ARE PROVIDED WHEN SPECIFIED.
3. ACTUAL NUMBER OF INTERNAL PARALLEL CIRCUITS MAY BE A MULTIPLE OF THOSE SHOWN ABOVE.
4. LEAD COLORS ARE OPTIONAL. LEADS MUST ALWAYS BE NUMBERED AS SHOWN.

CD0005

REV. DESC: REVISE TO SHOW OPTIONAL COLORS

REV. LTR: E BY: JLP REVISED: 01/19/99 10:15 TDR: 0171435

500000

FILE: AAA00005140

MDL: -

MTL: -

**BALDOR ELECTRIC Co.**

3PH, DV, 9 LEADS