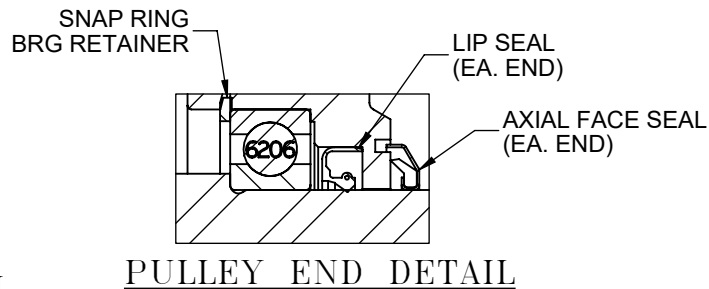
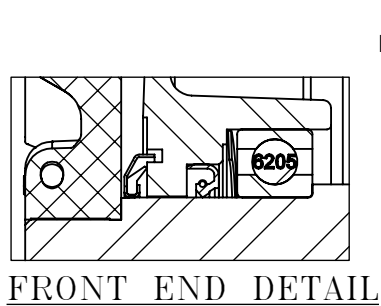
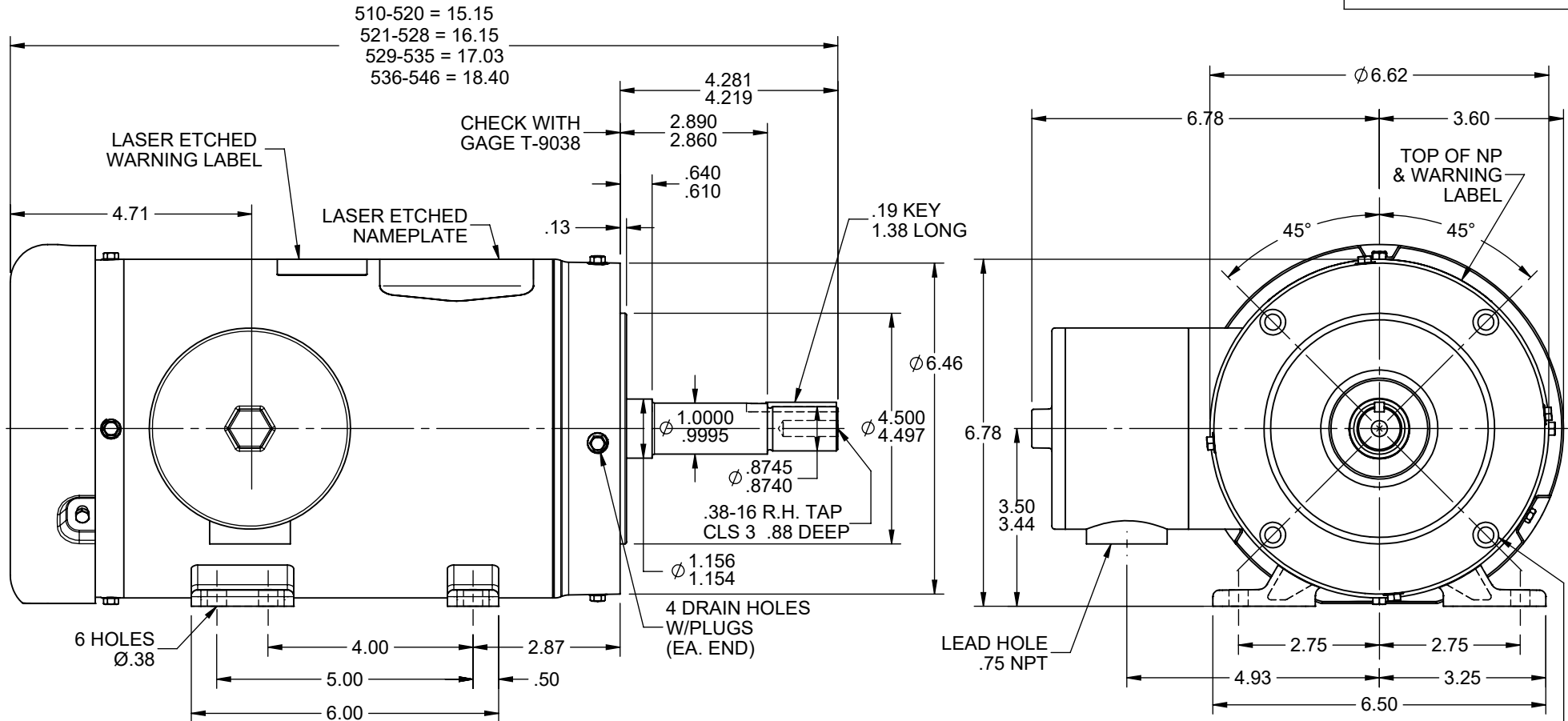


35LYE4781



CUSTOMER IS RESPONSIBLE FOR DETERMINING THAT BALDOR'S PRODUCT WILL PERFORM SUITABLY IN THE INTENDED APPLICATION

REV. DESC: REMOVE FACE DRAINS & DRAIN FTG; ADD DRAIN PLUG			
REV: B	VERSION: 02	REVISED: 03:17:36 01/25/2023	TDR: 000001202627
MODEL NO. 35LYE4781		REF: -	
BY: ENSTEKO			

**BALDOR**

STD HORZ 143-5JM TEFC 35M WD11/12

35LYE4781