

BALDOR • RELIANCE

Customer information packet

JMFSWDM3550T-E

1.5HP, 3500RPM, 3PH, 60HZ, 143JM, 3532M, TENV

Class - None

Division - Not Applicable

Copyright © All product information within this document is subject to ABB Motors and Mechanical Inc. copyright © protection, unless otherwise noted.

5/29/2024 9:40:55 PM

Specifications

| | |
|--------------------------------|---|
| Enclosure | TENV |
| Frame | 143JM |
| Frame Material | Stainless Steel |
| Frequency | 60.00 Hz |
| Haz Area Class and Group | None |
| Haz Area Division | Not Applicable |
| Motor Letter Type | Three Phase |
| Output @ Frequency | 1.500 HP @ 60 HZ |
| Phase | 3 |
| Synchronous Speed @ Frequency | 3600 RPM @ 60 HZ |
| Voltage @ Frequency | 230.0 V @ 60 HZ 460.0 V @ 60 HZ |
| Agency Approvals | CSA UR |
| Ambient Temperature | 40 °C |
| Auxillary Box | No Auxillary Box |
| Auxillary Box Lead Termination | None |
| Base Indicator | Rigid |
| Bearing Grease Type | Polyrex EM (-20F +300F) |
| Blower | None |
| Current @ Voltage | 3.700 A @ 208.0 V 3.600 A @ 230.0 V 1.800 A @ 460.0 V |
| Design Code | B |
| Drip Cover | No Drip Cover |
| Duty Rating | CONT |
| Efficiency @ 100% Load | 85.5 % |
| Electrically Isolated Bearing | Not Electrically Isolated |
| Feedback Device | NO FEEDBACK |
| Front Shaft Indicator | None |
| Heater Indicator | No Heater |
| High Voltage Full Load Amps | 1.8 a |

Part detail

| | |
|--------------|--|
| Revision | L |
| Type | AC |
| Mech. spec. | 35E4762 |
| Base | |
| Status | PRD/A |
| Elec. spec. | 35WGR929 |
| Layout | 35LYE4762 |
| Eff. date | 08-14-2023 |
| CD Diagram | CD0005 |
| Poles | 02 |
| Leads | 9#18 15" lead length,0#0 dbl dip & bake,0#0 phase insulaY |
| Proprietary | False |
| Created date | 08-10-2017 |

| | |
|-------------------------------|------------------------|
| Insulation Class | H |
| Inverter Code | Inverter Ready |
| KVA Code | M |
| Lifting Lugs | No Lifting Lugs |
| Locked Bearing Indicator | Locked Bearing |
| Motor Finish | UNPAINTED |
| Motor Lead Quantity/Wire Size | @ 0 AWG 9 @ 18 AWG |
| Motor Lead Termination | Flying Leads |
| Motor Standards | NEMA |
| Motor Type | 3532M |
| Mounting Arrangement | F1 |
| Number of Poles | 2 |
| Overall Length | 15.85 IN |
| Power Factor | 90 |
| Product Family | WD All SS Encapsulated |
| Pulley End Bearing Type | Sealed Bearing |
| Pulley Face Code | C-Face |
| Pulley Shaft Indicator | Tapped & Key |
| Rodent Screen | None |
| RoHS Status | ROHS COMPLIANT |
| Service Factor | 1.15 |
| Shaft Diameter | 0.875 IN |
| Shaft Ground Indicator | No Shaft Grounding |
| Shaft Rotation | Reversible |
| Shaft Slinger Indicator | No Slinger |
| Speed | 3500 rpm |
| Speed Code | Single Speed |
| Starting Method | Direct on line |
| Thermal Device - Bearing | None |
| Thermal Device - Winding | None |
| Vibration Sensor Indicator | No Vibration Sensor |
| Winding Thermal 1 | None |
| Winding Thermal 2 | None |

Nameplate

| NP4427AAA01 | | | | | | | | | | | |
|--------------------|----------------------|---------------|----------------|-------------|----------------------|--------------|------------|------------|---|--|-----------|
| CAT # | JMFSWDM3550T-E | | | | WT | 50 | LBS | | | | |
| SPEC | 35E4762R929G1 | | | | ENCL | TENV | | | | | |
| SER # | | | | | CC | 010A | IP | 69 | | | |
| HP | 1.5 | | MAG CUR | 1.3/.65 | | | | | | | |
| VOLTS | 230/460 | | | | NEMA NOM. EFF | 85.5 | | | | | |
| AMPS | 3.6/1.8 | | | | PF | 90 | | | | | |
| RATING | 40C AMB-CONT | | | | | | | | | | |
| RPM | 3500 | | | | MAX RPM | 5400 | | | | | |
| FRAME | 143JM | HZ | 60 | CODE | M | CLASS | H | | | | |
| SER.F. | 1.15 | SF AMP | | | | PH | 3 | DES | B | | |
| DE | 6206 | | ODE | 6205 | | | | | | | |
| LUBRICATION | POLYREX EM | | | | | | | | | | |
| ID LOGO | INVERTER TYPE | VPWM | | CHP | 60 | TO | 90 | 1.5:1 | | | |
| ID LOGO | WK2 | 0.09 | CT | 15 | TO | 60 | 4:1 | | | | |
| ID LOGO | SL HZ | 1.7 | VT | 3 | TO | 60 | 20:1 | | | | |
| | | | | | | | | | | | QR |
| YR | | | | | | | | | | | |

AC Induction Motor Performance Data

Record # 20333

Typical performance - not guaranteed values

| Winding: 35WGR929-R003 | | Type: 3532M | | Enclosure: TENV | |
|------------------------|-------------|---------------------|--|---------------------------|--------|
| Nameplate Data | | | 460 V, 60 Hz: High Voltage Connection | | |
| Rated Output (HP) | 1.5 | Full Load Torque | 2.31 LB-FT | | |
| Volts | 208-230/460 | Start Configuration | direct on line | | |
| Full Load Amps | 3.7-3.6/1.8 | Breakdown Torque | 10.9 LB-FT | | |
| R.P.M. | 3500 | Pull-up Torque | 5.2 LB-FT | | |
| Hz | 60 Phase | 3 | Locked-rotor Torque | 10.2 LB-FT | |
| NEMA Design Code | B | KVA Code | M | Starting Current | 20.6 A |
| Service Factor (S.F.) | 1.15 | No-load Current | 0.694 A | | |
| NEMA Nom. Eff. | 85.5 | Power Factor | 90 | Line-line Res. @ 25°C | 7.64 Ω |
| Rating - Duty | 40C | AMB-CONT | Temp. Rise @ Rated Load | 78°C | |
| S.F. Amps | | | Temp. Rise @ S.F. Load | 90°C | |
| | | | Locked-rotor Power Factor | 46 | |
| | | | Rotor inertia | 0.0885 LB-FT ² | |

Load Characteristics 460 V, 60 Hz, 1.5 HP

| % of Rated Load | 25 | 50 | 75 | 100 | 125 | 150 | S.F. |
|-----------------|-------|------|------|------|------|------|------|
| Power Factor | 55 | 77 | 86 | 92 | 93 | 90 | 93 |
| Efficiency | 73.8 | 82.3 | 85.2 | 86.1 | 85.9 | 85.5 | 86 |
| Speed | 3564 | 3536 | 3507 | 3476 | 3444 | 3406 | 3457 |
| Line amperes | 0.907 | 1.15 | 1.48 | 1.81 | 2.23 | 2.75 | 2.06 |

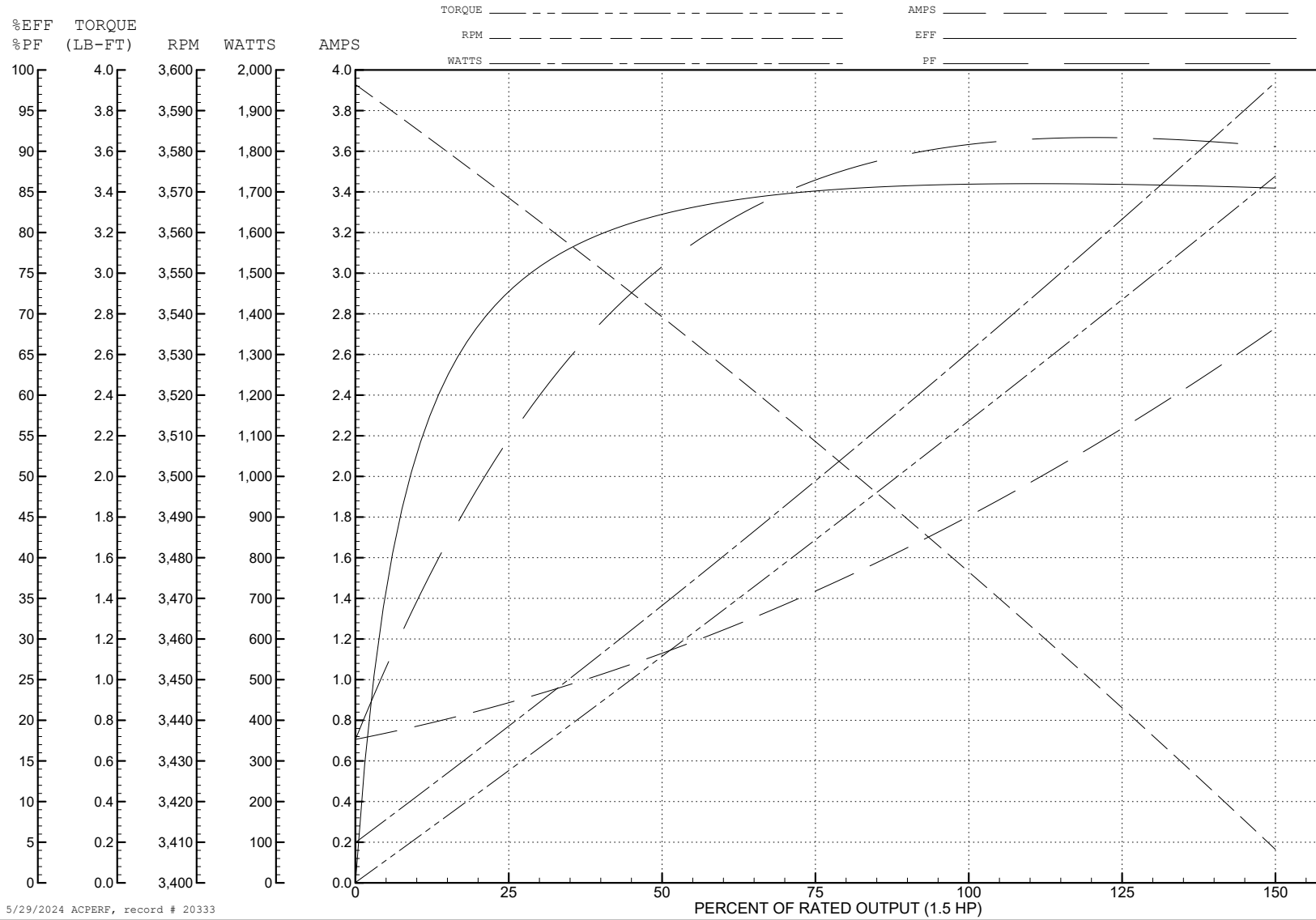
ABB Motors and Mechanical Inc.

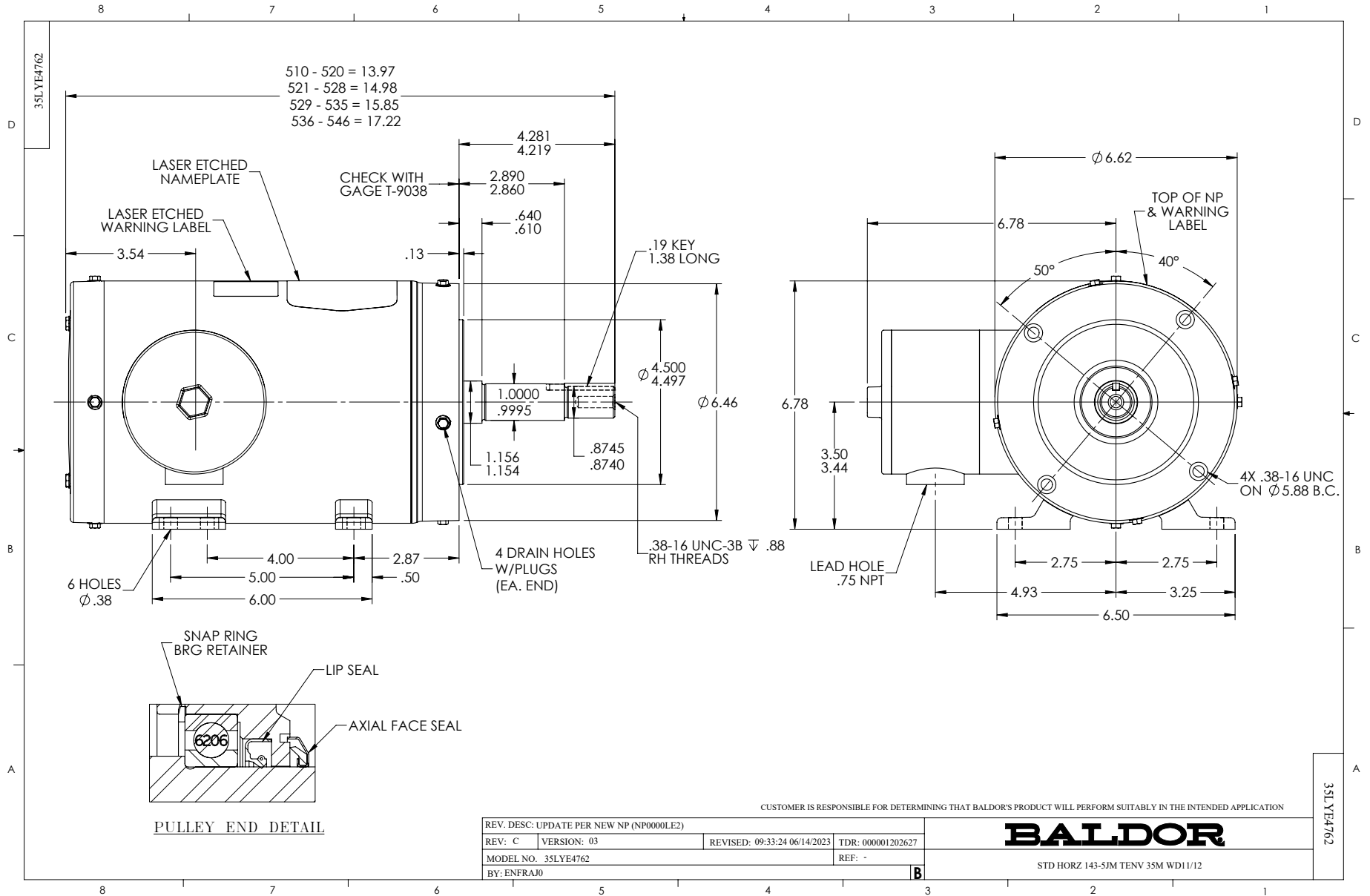
WINDING # 35WGR929

1.5 HP 3 PH 60 HZ 3500 RPM 460 V 3532M

Typical performance - not guaranteed values.

TORQUES (LB-FT): PO=10.9 PU=5.2 LR=10.2 LRA=20.6





CD0005



LOW VOLTAGE
(2Y)



LINE

HIGH VOLTAGE
(1Y)



LINE

NOTES:

1. INTERCHANGE ANY TWO LINE LEADS TO REVERSE ROTATION.
2. OPTIONAL THERMOSTATS ARE PROVIDED WHEN SPECIFIED.
3. ACTUAL NUMBER OF INTERNAL PARALLEL CIRCUITS MAY BE A MULTIPLE OF THOSE SHOWN ABOVE.
4. LEAD COLORS ARE OPTIONAL. LEADS MUST ALWAYS BE NUMBERED AS SHOWN.

CD0005

| | | | |
|---|---------|-------------------------|--------------|
| REV. DESC: REVISE TO SHOW OPTIONAL COLORS | | | |
| REV. LTR: E | BY: JLP | REVISED: 01/19/99 10:15 | TDR: 0171435 |
| S00000 | | FILE: AAA00005140 | MDL: - |
| | | MTL: - | |

BALDOR ELECTRIC Co.

3PH, DV, 9 LEADS