

BALDOR • RELIANCE

Customer information packet

JMEWDM4314T

60HP, 1780RPM, 3PH, 60HZ, 364TCZ, TEFC, F1

Class - None

Division - Not Applicable

Copyright © All product information within this document is subject to ABB Motors and Mechanical Inc. copyright © protection, unless otherwise noted.

9/12/2024 8:44:00 PM

Specifications

Enclosure	TEFC
Frame	364TCZ
Frame Material	Iron
Frequency	60.00 Hz
Haz Area Class and Group	None
Haz Area Division	Not Applicable
Motor Letter Type	Three Phase
Output @ Frequency	60.000 HP @ 60 HZ
Phase	3
Synchronous Speed @ Frequency	1800 RPM @ 60 HZ
Voltage @ Frequency	230.0 V @ 60 HZ 460.0 V @ 60 HZ
Agency Approvals	CSA EEV CCSA US
Ambient Temperature	40 °C
Auxillary Box	No Auxillary Box
Base Indicator	Rigid
Bearing Grease Type	Polyrex EM (-20F +300F)
Current @ Voltage	70.000 A @ 460.0 V 152.000 A @ 208.0 V 140.000 A @ 230.0 V
Design Code	B
Drip Cover	No Drip Cover
Duty Rating	CONT
Efficiency @ 100% Load	95.0 %
Feedback Device	NO FEEDBACK
Heater Indicator	No Heater
High Voltage Full Load Amps	70.0 a
Insulation Class	F
Inverter Code	Inverter Ready
IP Rating	NONE
KVA Code	G

Part detail

Revision	D
Type	AC
Mech. spec.	
Base	
Status	PRD/A
Elec. spec.	A36WG4075
Layout	617436-346
Eff. date	05-22-2023
CD Diagram	416820-002
Poles	04
Leads	3#4,6#6
Proprietary	False
Created date	10-01-2019

Lifting Lugs	Standard Lifting Lugs
Motor Lead Quantity/Wire Size	3 @ 4 AWG
Motor Standards	NEMA
Motor Type	A3658M
Mounting Arrangement	F1
Number of Poles	4
Overall Length	33.11 IN
Power Factor	84
Product Family	Washdown Features
Pulley End Bearing Type	Ball
Pulley Face Code	C-Face
Service Factor	1.15
Shaft Diameter	1.249 IN
Shaft Ground Indicator	No Shaft Grounding
Shaft Rotation	Reversible
Shaft Slinger Indicator	Shaft Slinger
Speed	1780 rpm
Speed Code	Single Speed
Starting Method	Direct on line
Thermal Device - Bearing	None
Thermal Device - Winding	None

Nameplate

NP2496L	
MOBIL POLYREX EM	

NP2428L

SPEC NO.	A36-6180-4075	CAT.NO.	JMEWDM4314T	FRAME	364TCZ
HP	60	VOLTS	230/460	PHASE	3
				DESIGN	B
				TYPE	P
RPM	1780	AMPS	140/70	HZ	60
				AMB	40
				SF	1.15
DRIVE END BEARING	65BC03JGG30A	DUTY	CONT	INSUL.CLASS	F
OPP D.E. BEARING	65BC03JGG30A	ENCL	TEFC	CODE	G
SER.NO.		POWER FACTOR	84	NEMA-NOM-EFFICIENCY	95
				MAX CORR KVAR	15
				GUARANTEED EFFICIENCY	94.1
	IP55			NEMA NOM/CSA QUOTED EFF	
	10:1CT AND 10:1VT ON VPWM INVE			RTER, 1.00SF	
				MOTOR WEIGHT	

AC induction motor performance data

Record #72794 - Typical performance - not guaranteed values

Winding	A36WG4075
Type	A3658M
Enclosure	TEFC

Nameplate data

Rated Output			60
Volts			230/460
Full Load Amps			140/70
R.P.M.			1780
Hz	60	Phase	3
KVA Code			G
S.F.			1.15
NEMA Nom. Eff.	95	Power Factor	84
Duty			CONT
S.F. Amps			

460 V, 60 Hz:

High Voltage Connection

Full Load Torque	176.4 LB-FT
Start Configuration	direct on line
Breakdown Torque	422 LB-FT
Pull-up Torque	276 LB-FT
Locked-rotor Torque	352 LB-FT
Starting Current	462 A
No-load Current	24.8
Line-line Res. @ 25°C	0.10816 Ω
Temp. Rise @ Rated Load	56°C
Temp. Rise @ S.F. Load	70°C
Locked-rotor Power Factor	32.3
Rotor inertia	0

Load Characteristics 460 V, 60 Hz, 60 HP

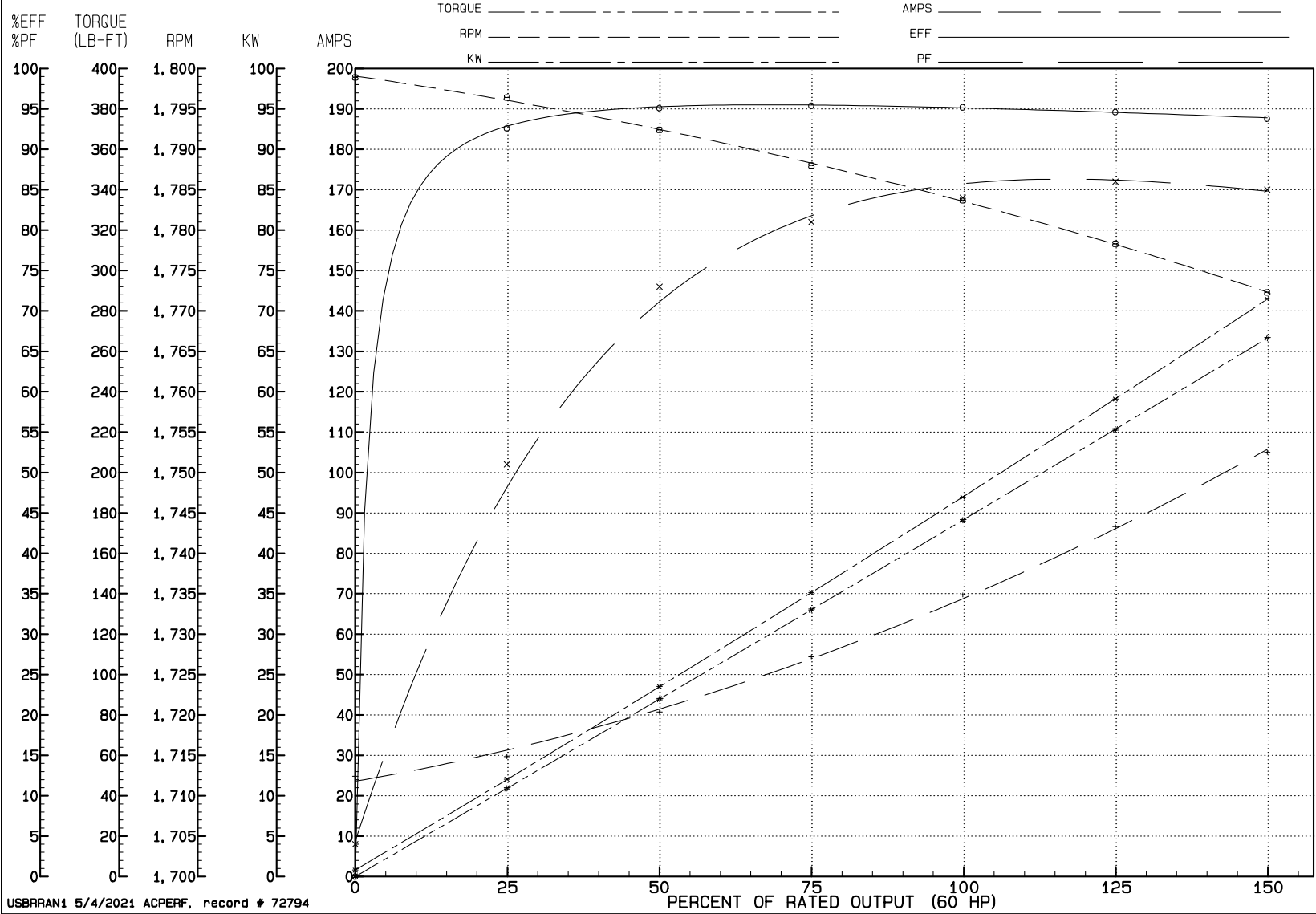
% of Rated Load	NL	25	50	75	100	125	150	SF
Power Factor	4	51	73	81	84	86	85	85
Efficiency	0	92.6	95.1	95.4	95.2	94.6	93.8	94.8
Speed	1798.9	1796.4	1792.4	1788	1783.7	1778.3	1772.3	1780
Line amperes	24.8	29.7	40.7	54.4	69.7	86.6	105	79.8

REVIEW

WINDING # A36WG4075

60 HP 3 PH 60 HZ 1780 RPM 460 V A3658M

TORQUES (LB-FT): P0=422.00 PU=276.00 LR=352.00 LRA=462.00



USBRRAN1 5/4/2021 ACPERF, record # 72794

617436-346

DUTY MASTER ALTERNATING CURRENT MOTORS
SQUIRREL-CAGE INDUCTION

ENCLOSURE: TOTALLY ENCLOSED

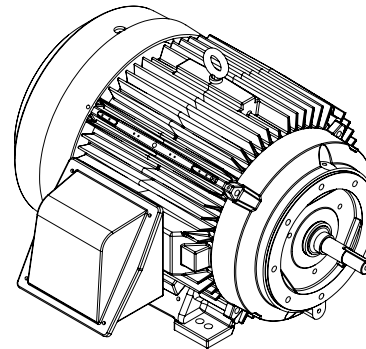
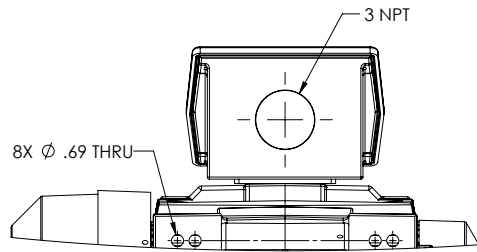
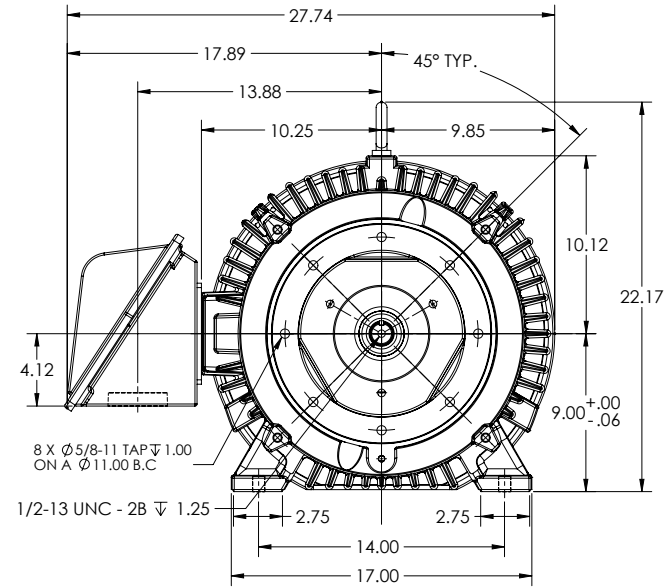
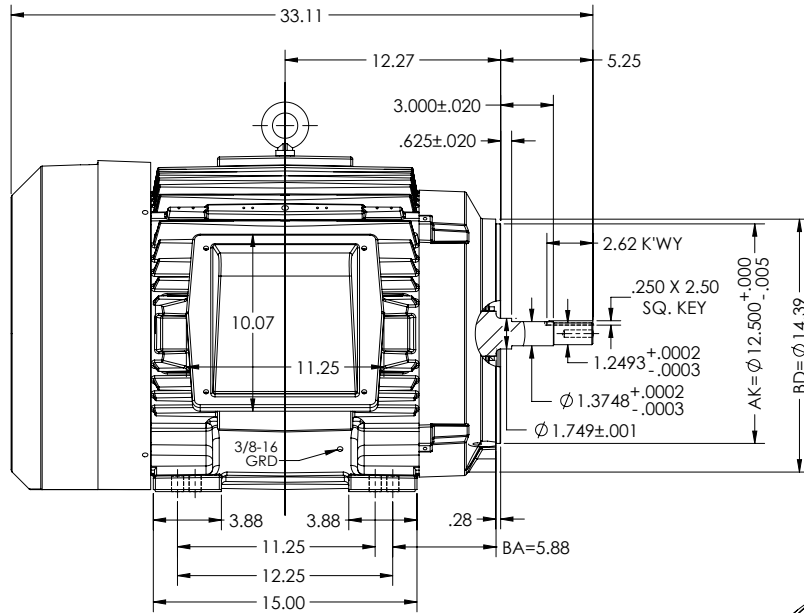
FRAME 365TCZ
INCLUDES 364TCZ FRAME MOUNTING HOLES

COOLING: FAN COOLED

MOUNTING: FOOT, C-FACE, F-1 SIDE

326JM D.E. SHAFT EXT. PER 14LYP021

ENCLOSURE ENHANCEMENT: SEVERE DUTY



FACE RUNOUT & ECCENTRICITY .007 MAX T.I.R

IF MOUNTING CLEARANCE DETAILS ARE REQUIRED, CONSULT FACTORY.
MAXIMUM PERMISSIBLE SHAFT RUNOUT WHEN MEASURED AT END OF
STANDARD SHAFT EXTENSION IS .003" T.I.R.

DIMENSIONS ARE IN INCHES

CUSTOMER IS RESPONSIBLE FOR DETERMINING THAT MOTOR PERFORMANCE IS SUITABLE IN THE APPLICATION.

REV. DESC: NEW LAYOUT	VERSION: 00	REVISED: 09-14-39 09:30:2019	TDR: 000001121139
MODEL NO. 617436-346			
BY: USTHREE			

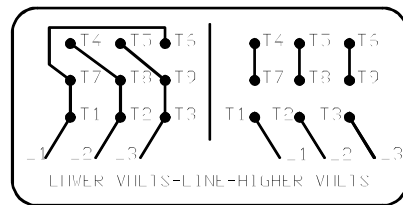
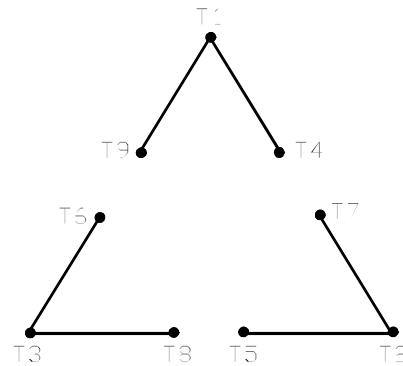
BALDOR

E365TCZ TEFC FT - F1 - SHAFT 326JM PER 14LYP021

617436-346

416820-002

A-C MOTOR
 CONNECTION DIAGRAM
 STANDARD 9 LEAD DELTA-CONNECTED



(N.P. 1575-B)

416820-002

REV. DESC: FONT CHANGE FOR PDF SEARCHABLE		
REV. LTR: A	VERSION: 01	TDR: 000001009382
FILE: \MGA\00000\661	REVISED: 02:46:19 02/13/2020	BY: MGHMTT
MTL: -	© □	

BALDOR - RELIANCE®

CONN DIAG - STANDARD 9 LEAD, DELTA-CONNECTED

SH 1 of 1