

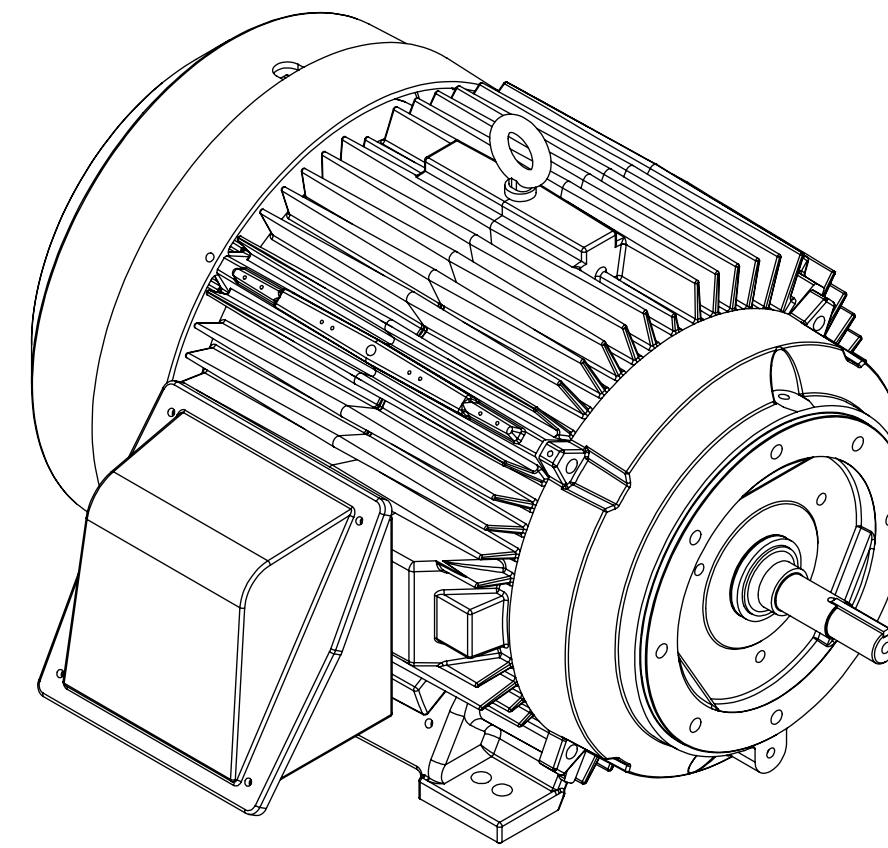
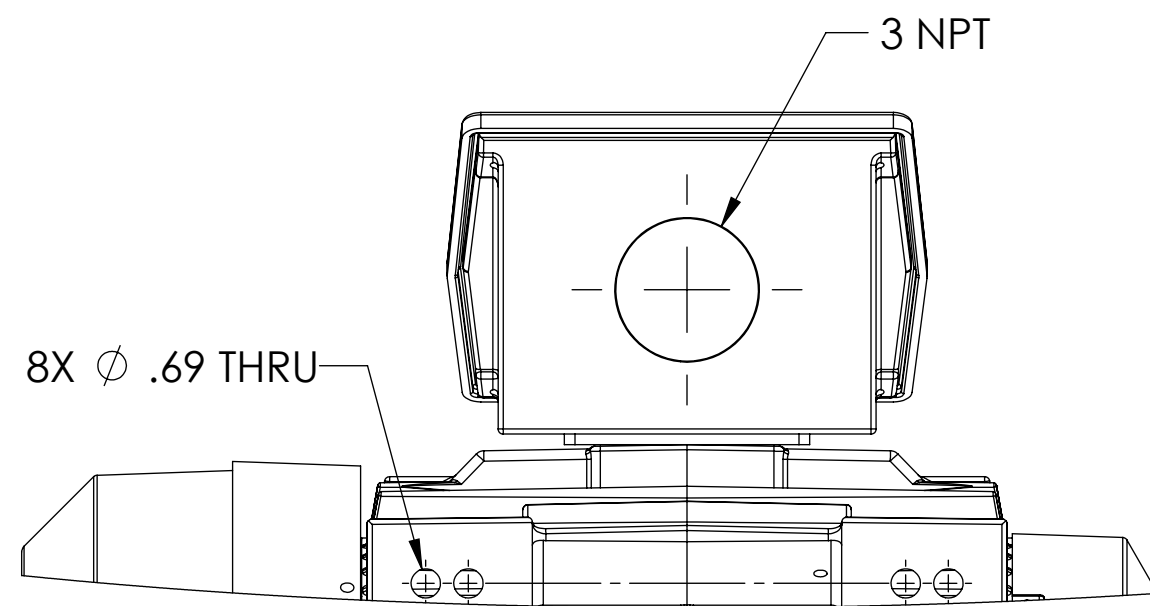
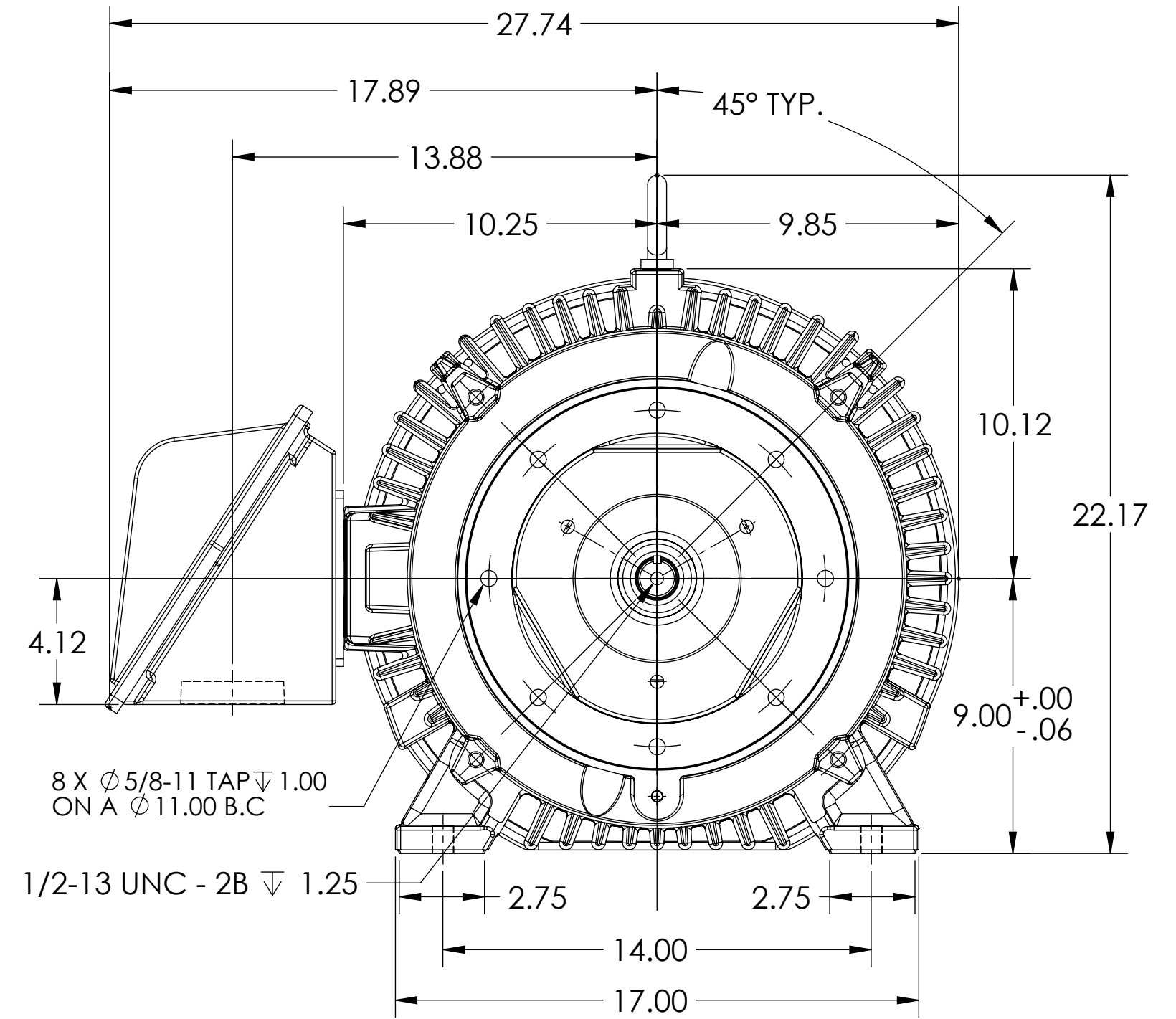
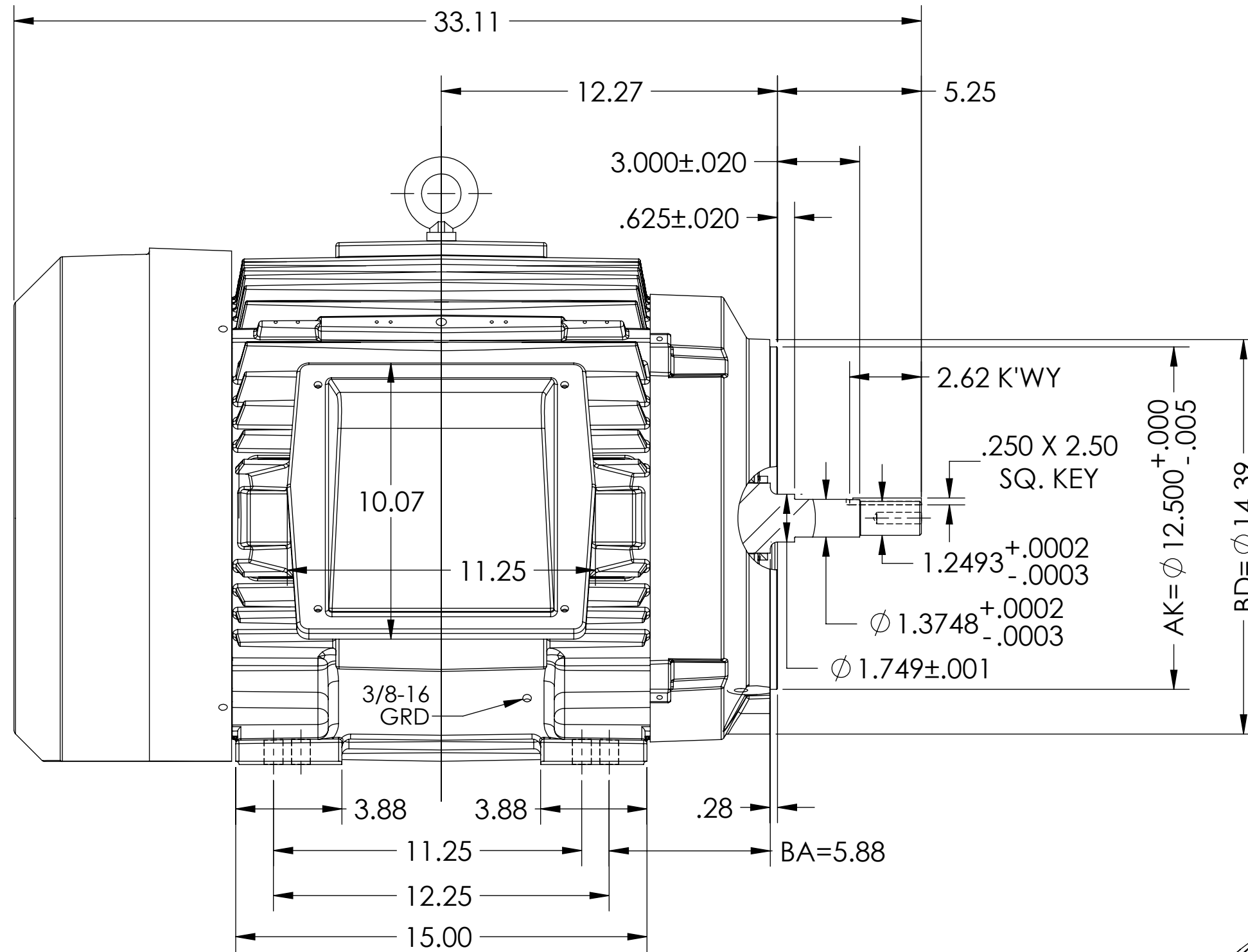
# DUTY MASTER ALTERNATING CURRENT MOTORS

## SQUIRREL-CAGE INDUCTION

ENCLOSURE: TOTALLY ENCLOSED  
MOUNTING: FOOT, C-FACE, F-1 SIDE

FRAME 365TCZ  
INCLUDES 364TCZ FRAME MOUNTING HOLES  
326JM D.E. SHAFT EXT. PER 14LYP021

COOLING: FAN COOLED  
ENCLOSURE ENHANCEMENT: SEVERE DUTY



FACE RUNOUT & ECCENTRICITY .007 MAX T.I.R

IF MOUNTING CLEARANCE DETAILS ARE REQUIRED, CONSULT FACTORY.  
MAXIMUM PERMISSIBLE SHAFT RUNOUT WHEN MEASURED AT END OF  
STANDARD SHAFT EXTENSION IS .003" T.I.R.

DIMENSIONS ARE IN INCHES

CUSTOMER IS RESPONSIBLE FOR DETERMINING THAT MOTOR PERFORMANCE IS SUITABLE IN THE APPLICATION.

REV. DESC: NEW LAYOUT			
REV: -	VERSION: 00	REVISED: 09:14:39 09/30/2019	TDR: 000001121139
MODEL NO. 617436-346			
BY: USTIREE			

### BALDOR

E365TCZ TEFC FT - F1 - SHAFT 326JM PER 14LYP021