

39LYK068

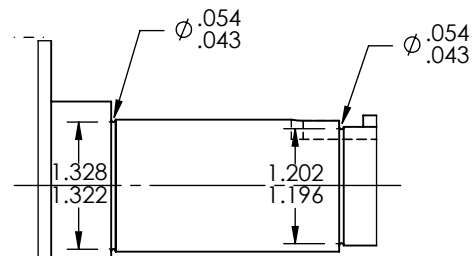
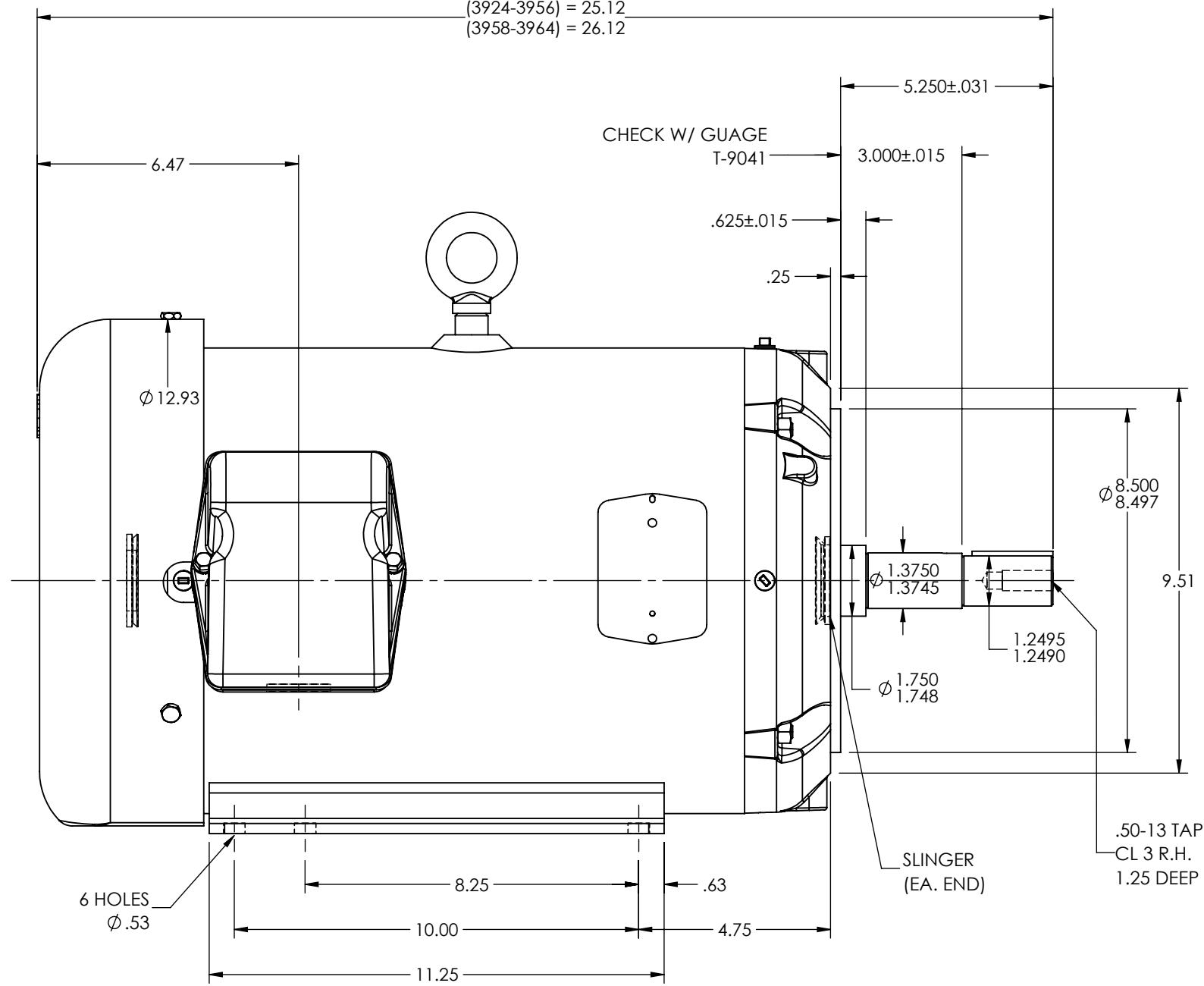
D

C

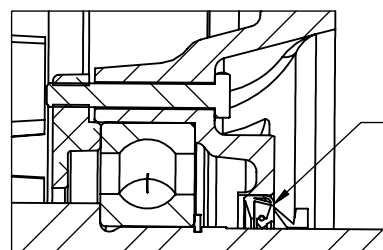
B

A

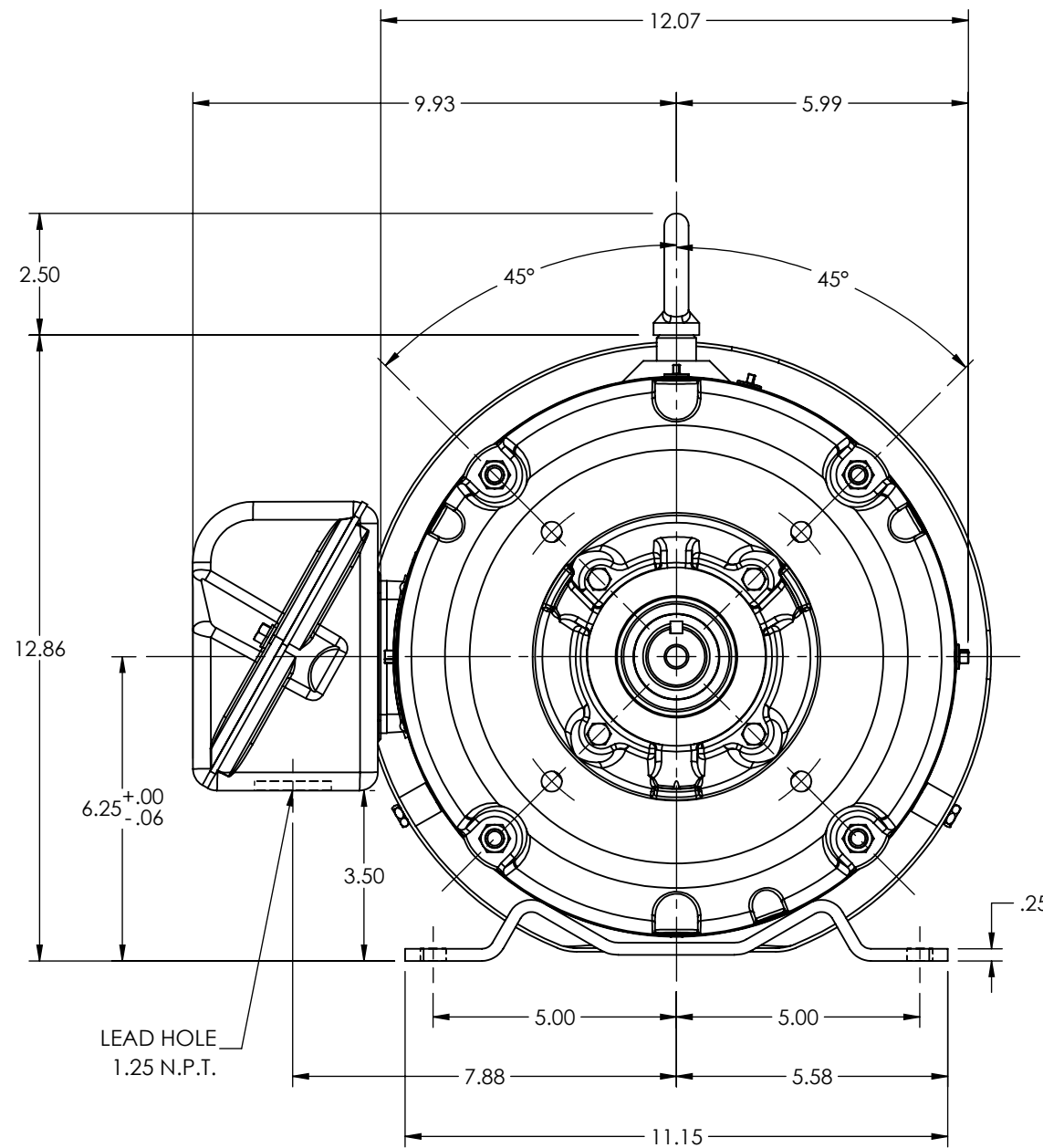
(3924-3956) = 25.12  
(3958-3964) = 26.12



UNDERCUT DETAIL



DRIVE END DETAIL



D

C

B

A

CUSTOMER IS RESPONSIBLE FOR DETERMINING THAT THE PRODUCT WILL PERFORM SUITABLY IN THE INTENDED APPLICATION

REV. DESC: CONVERT AUTOCAD DRW TO SWD			
REV: M	VERSION: 09	REVISED: 08:28:33 05/23/2023	TDR: 000001208005
MODEL NO. 39LYK068			REF: -
BY: ENALEM0			<b>B</b>

**BALDOR - RELIANCE®**

HORZ TEFC 254-6JM WD

39LYK068

8

7

6

5

4

3

2

1