

BALDOR • RELIANCE

Customer information packet

JMEWDM4108T

30HP, 3520RPM, 3PH, 60HZ, 286JM, TEFC, F1

Class - None

Division - Not Applicable

Specifications

Enclosure	TEFC
Frame	286JM
Frame Material	Iron
Frequency	60.00 Hz
Haz Area Class and Group	None
Haz Area Division	Not Applicable
Motor Letter Type	Three Phase
Output @ Frequency	30.000 HP @ 60 HZ
Phase	3
Synchronous Speed @ Frequency	3600 RPM @ 60 HZ
Voltage @ Frequency	230.0 V @ 60 HZ 460.0 V @ 60 HZ
Agency Approvals	CSA CSA EEV NEMA PREMIUM UR
Ambient Temperature	40 °C
Auxillary Box	No Auxillary Box
Auxillary Box Lead Termination	None
Base Indicator	Rigid
Bearing Grease Type	Polyrex EM (-20F +300F)
Blower	None
Current @ Voltage	76.000 A @ 208.0 V 68.000 A @ 230.0 V 34.000 A @ 460.0 V
Design Code	B
Drip Cover	No Drip Cover
Duty Rating	CONT
Efficiency @ 100% Load	91.7 %
Electrically Isolated Bearing	Not Electrically Isolated
Feedback Device	NO FEEDBACK
Heater Indicator	No Heater

Part detail

Revision	E
Type	AC
Mech. spec.	
Base	
Status	PRD/A
Elec. spec.	10WGZ505
Layout	10LY-000-754
Eff. date	02-21-2024
CD Diagram	CD0180
Poles	02
Leads	9#10
Proprietary	False
Created date	01-21-2020

High Voltage Full Load Amps	34.0 a
Insulation Class	F
Inverter Code	Not Inverter
IP Rating	NONE
KVA Code	F
Lifting Lugs	Standard Lifting Lugs
Locked Bearing Indicator	Locked Bearing
Motor Lead Termination	Flying Leads
Motor Standards	NEMA
Motor Type	1066M
Mounting Arrangement	F1
Number of Poles	2
Overall Length	28.44 IN
Power Factor	89
Product Family	Washdown Features
Pulley Face Code	C-Face
Rodent Screen	None
Service Factor	1.15
Shaft Diameter	1.250 IN
Shaft Ground Indicator	No Shaft Grounding
Shaft Rotation	Reversible
Speed	3520 rpm
Speed Code	Single Speed
Starting Method	Direct on line
Thermal Device - Bearing	None
Thermal Device - Winding	None
Vibration Sensor Indicator	No Vibration Sensor
Winding Thermal 1	None
Winding Thermal 2	None

Nameplate

NP1669L									
CAT.NO.	JMEWDM4108T								
SPEC.	10-0000-1318								
HP	30								
VOLTS	230/460								
AMP	68/34								
RPM	3520								
FRAME	286JM		HZ	60		PH	3		
SER.F.	1.15	CODE	F	DES	B	CLASS	F		
NEMA-NOM-EFF	91.7	PF	89						
RATING	40C AMB-CONT								
CC	010A								
DE	6312		ODE	6309					
ENCL	TEFC	SN							
BLANK	10:1 CT & VT,1.0SF								

AC Induction Motor Performance Data

Record # 55013

Typical performance - not guaranteed values

Winding: 10WGZ505-R001		Type: 1066M	Enclosure: TEFC
Nameplate Data		460 V, 60 Hz: High Voltage Connection	
Rated Output (HP)	30	Full Load Torque	44.6 LB-FT
Volts	230/460	Start Configuration	direct on line
Full Load Amps	68/34	Breakdown Torque	130 LB-FT
R.P.M.	3520	Pull-up Torque	59.9 LB-FT
Hz	60 Phase	Locked-rotor Torque	68.9 LB-FT
NEMA Design Code	B KVA Code	Starting Current	190 A
Service Factor (S.F.)	1.15	No-load Current	8.79 A
NEMA Nom. Eff.	91.7 Power Factor	Line-line Res. @ 25°C	0.246 Ω
Rating - Duty	40C AMB-CONT	Temp. Rise @ Rated Load	65°C
S.F. Amps		Temp. Rise @ S.F. Load	81°C
		Locked-rotor Power Factor	22.9
		Rotor inertia	2.83 LB-FT ²

Load Characteristics 460 V, 60 Hz, 30 HP

% of Rated Load	25	50	75	100	125	150	S.F.
Power Factor	66	82	87	89	89	89	89
Efficiency	89.7	92.6	92.7	92.3	91.2	89.9	91.7
Speed	3581	3563	3541	3521	3495	3466	3505
Line amperes	12.5	18.6	26.3	34	43.6	52.7	39.8

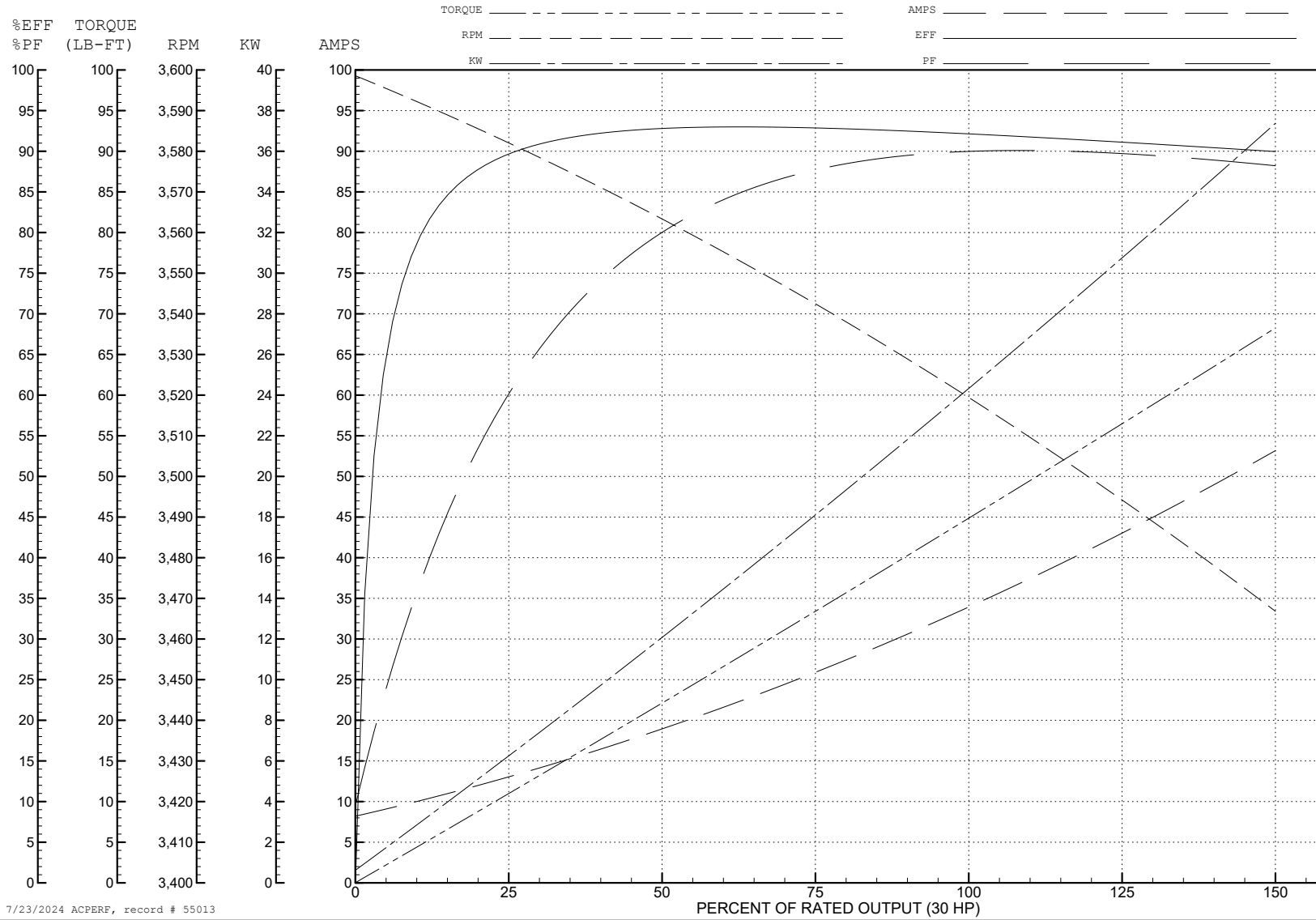
ABB Motors and Mechanical Inc.

WINDING # 10WGZ505

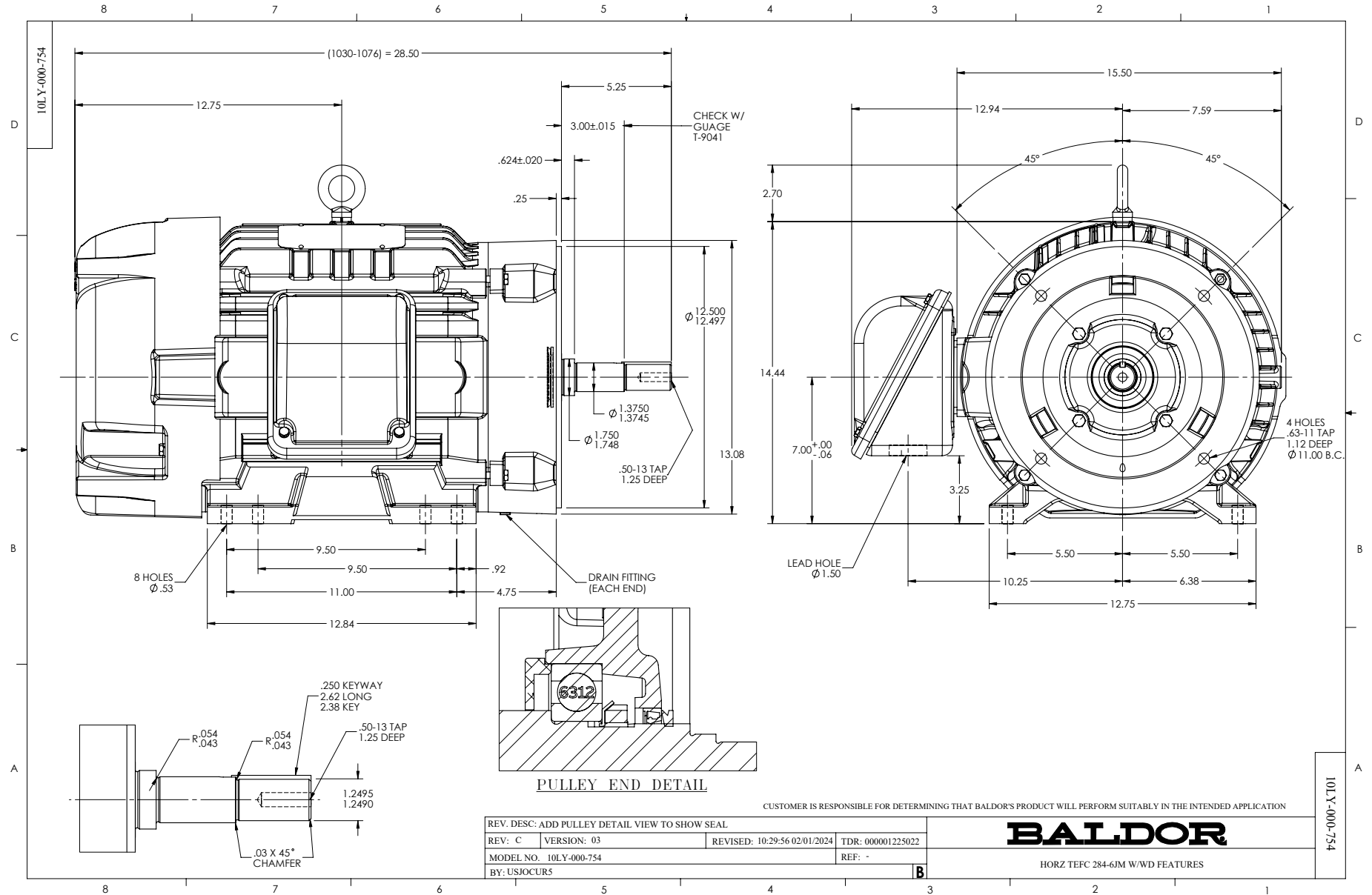
30 HP 3 PH 60 HZ 3520 RPM 460 V 1066M

Typical performance - not guaranteed values.

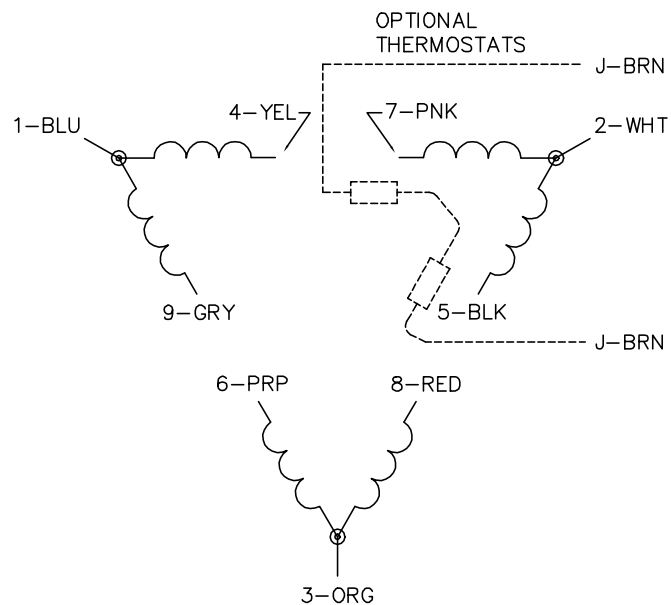
TORQUES (LB-FT): PO=130 PU=59.9 LR=68.9 LRA=190



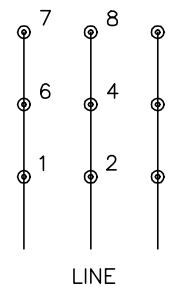
7/23/2024 ACPERF, record # 55013



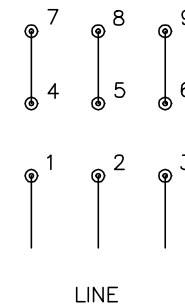
CD0180



LOW VOLTAGE
(2D)



HIGH VOLTAGE
(1D)



NOTES:

1. INTERCHANGE ANY TWO LINE LEADS TO REVERSE ROTATION.
2. OPTIONAL THERMOSTATS ARE PROVIDED WHEN SPECIFIED.
3. ACTUAL NUMBER OF INTERNAL PARALLEL CIRCUITS MAY BE A MULTIPLE OF THOSE SHOWN ABOVE.
4. LEAD COLORS ARE OPTIONAL. LEADS MUST ALWAYS BE NUMBERED AS SHOWN.

CD0180

REV. DESC: ADD CLASS CONN00000007		
REV. LTR: D	VERSION: 01	TDR: 000001099922
FILE: \AAA\00005\148	REVISED: 10: 25: 29 02/19/2019	BY: ENBRIRO
MTL: -	© □	

BALDOR - RELIANCE®

3PH, DV, 9 LEADS, DELTA CONNECTION

SH 1 of 1