

BALDOR • RELIANCE

Customer information packet

JMEWDM4107T

25HP, RPM, 3PH, 60HZ, 284JM, TEFC, F1

Class - None

Division - Not Applicable

Specifications

Enclosure	TEFC
Frame	284JM
Frame Material	Iron
Frequency	60.00 Hz
Haz Area Class and Group	None
Haz Area Division	Not Applicable
Output @ Frequency	25.000 HP @ 60 HZ
Phase	3
Synchronous Speed @ Frequency	3600 RPM @ 60 HZ
Voltage @ Frequency	460.0 V @ 60 HZ 230.0 V @ 60 HZ
Agency Approvals	CSA CSA EEV NEMA PREMIUM UR
Ambient Temperature	40 °C
Auxillary Box	No Auxillary Box
Auxillary Box Lead Termination	None
Base Indicator	Rigid
Bearing Grease Type	Polyrex EM (-20F +300F)
Blower	None
Current @ Voltage	30.000 A @ 460.0 V 60.000 A @ 230.0 V
Design Code	B
Drip Cover	No Drip Cover
Duty Rating	CONT
Efficiency @ 100% Load	91.7 %
Electrically Isolated Bearing	Not Electrically Isolated
Feedback Device	NO FEEDBACK
Heater Indicator	No Heater
High Voltage Full Load Amps	30.0 a
Insulation Class	F

Part detail

Revision	C
Type	AC
Mech. spec.	
Base	
Status	PRD/A
Elec. spec.	10WGZ426
Layout	10LY-000-754
Eff. date	02-21-2024
CD Diagram	CD0180
Poles	02
Leads	9#10
Proprietary	False
Created date	01-29-2020

IP Rating	NONE
KVA Code	G
Lifting Lugs	Standard Lifting Lugs
Locked Bearing Indicator	Locked Bearing
Motor Lead Termination	Flying Leads
Motor Standards	NEMA
Motor Type	1050M
Mounting Arrangement	F1
Number of Poles	2
Overall Length	28.44 IN
Power Factor	84
Product Family	Washdown Features
Pulley Face Code	C-Face
Rodent Screen	None
Service Factor	1.15
Shaft Diameter	1.375 IN
Shaft Ground Indicator	No Shaft Grounding
Shaft Rotation	Reversible
Speed	3520 rpm
Starting Method	Full Voltage
Thermal Device - Bearing	None
Thermal Device - Winding	None
Vibration Sensor Indicator	No Vibration Sensor
Winding Thermal 1	None
Winding Thermal 2	None

Nameplate

NP1669L									
CAT.NO.	JMEWDM4107T								
SPEC.	10-0000-1271								
HP	25								
VOLTS	230/460								
AMP	60/30								
RPM	3520								
FRAME	284JM		HZ	60		PH	3		
SER.F.	1.15	CODE	G	DES	B	CLASS	F		
NEMA-NOM-EFF	91.7	PF	84						
RATING	40C AMB-CONT								
CC	010A								
DE	6312		ODE	6309					
ENCL	TEFC	SN							
BLANK	10:1 CT & VT,1.0SF								

AC Induction Motor Performance Data

Record # 78723

Typical performance - not guaranteed values

Winding: 10WGZ426-R002		Type: 1050M	Enclosure: TEFC	
Nameplate Data		460 V, 60 Hz: High Voltage Connection		
Rated Output (HP)	25	Full Load Torque	37.21 LB-FT	
Volts	230/460	Start Configuration	direct on line	
Full Load Amps	60/30	Breakdown Torque	120 LB-FT	
R.P.M.	3520	Pull-up Torque	59.57 LB-FT	
Hz	60 Phase	3	Locked-rotor Torque	68.64 LB-FT
NEMA Design Code	B KVA Code	G	Starting Current	188 A
Service Factor (S.F.)		1	No-load Current	18.96 A
NEMA Nom. Eff.	91.7 Power Factor	84	Line-line Res. @ 25°C	0.288 Ω
Rating - Duty	40C AMB-CONT		Temp. Rise @ Rated Load	60°C
S.F. Amps			Temp. Rise @ S.F. Load	75°C
			Locked-rotor Power Factor	23.6
			Rotor inertia	2.15 lb-ft ²

Load Characteristics 460 V, 60 Hz, 25 HP

% of Rated Load	25	50	75	100	125	150
Power Factor	38	61	73	79	81	83
Efficiency	87.1	91	91.8	91.4	90.3	89.3
Speed	3581	3562	3542	3522	3497	3470
Line amperes	18.79	21.32	26.54	32.41	40.04	47.3

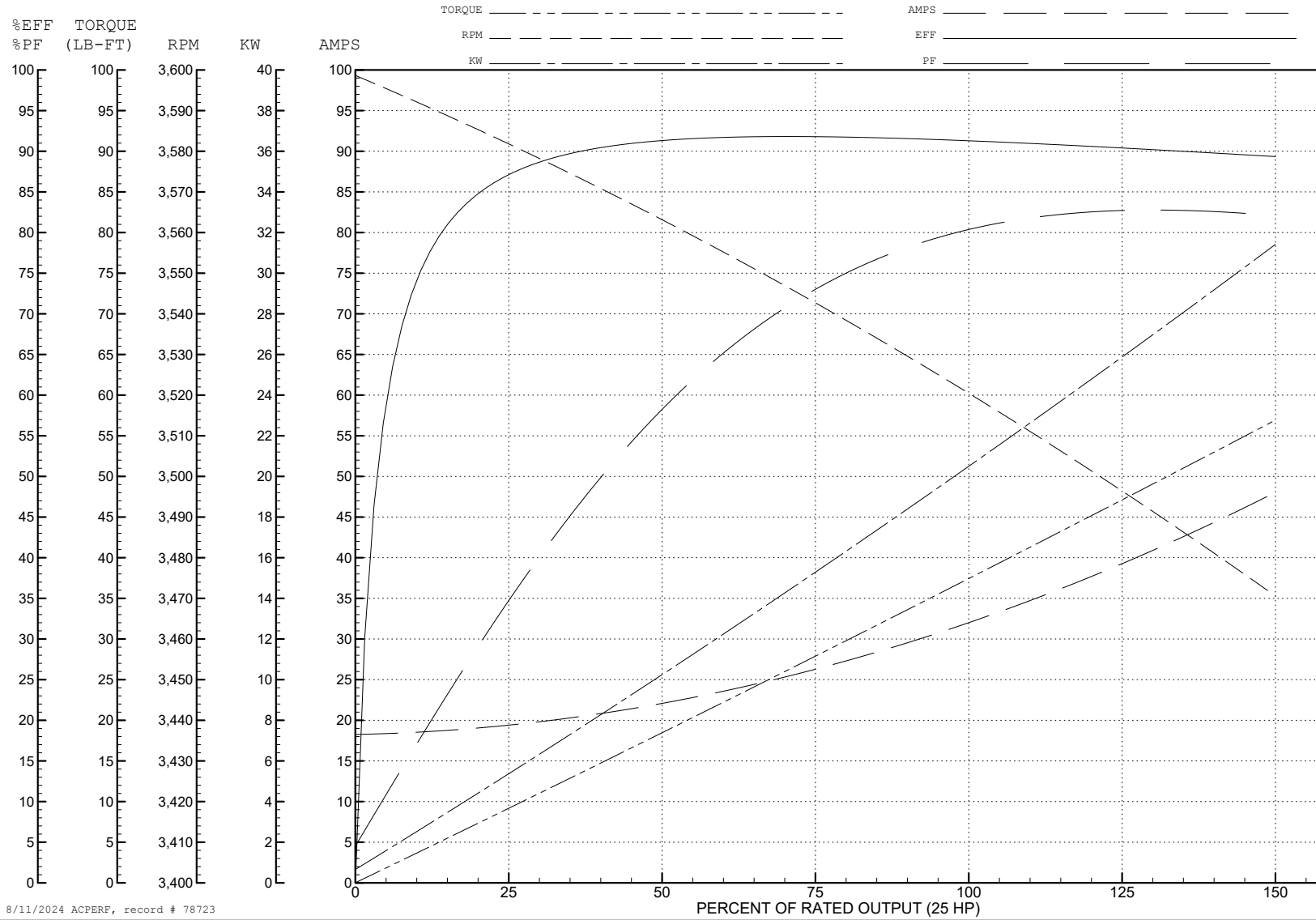
ABB Motors and Mechanical Inc.

WINDING # 10WGZ426

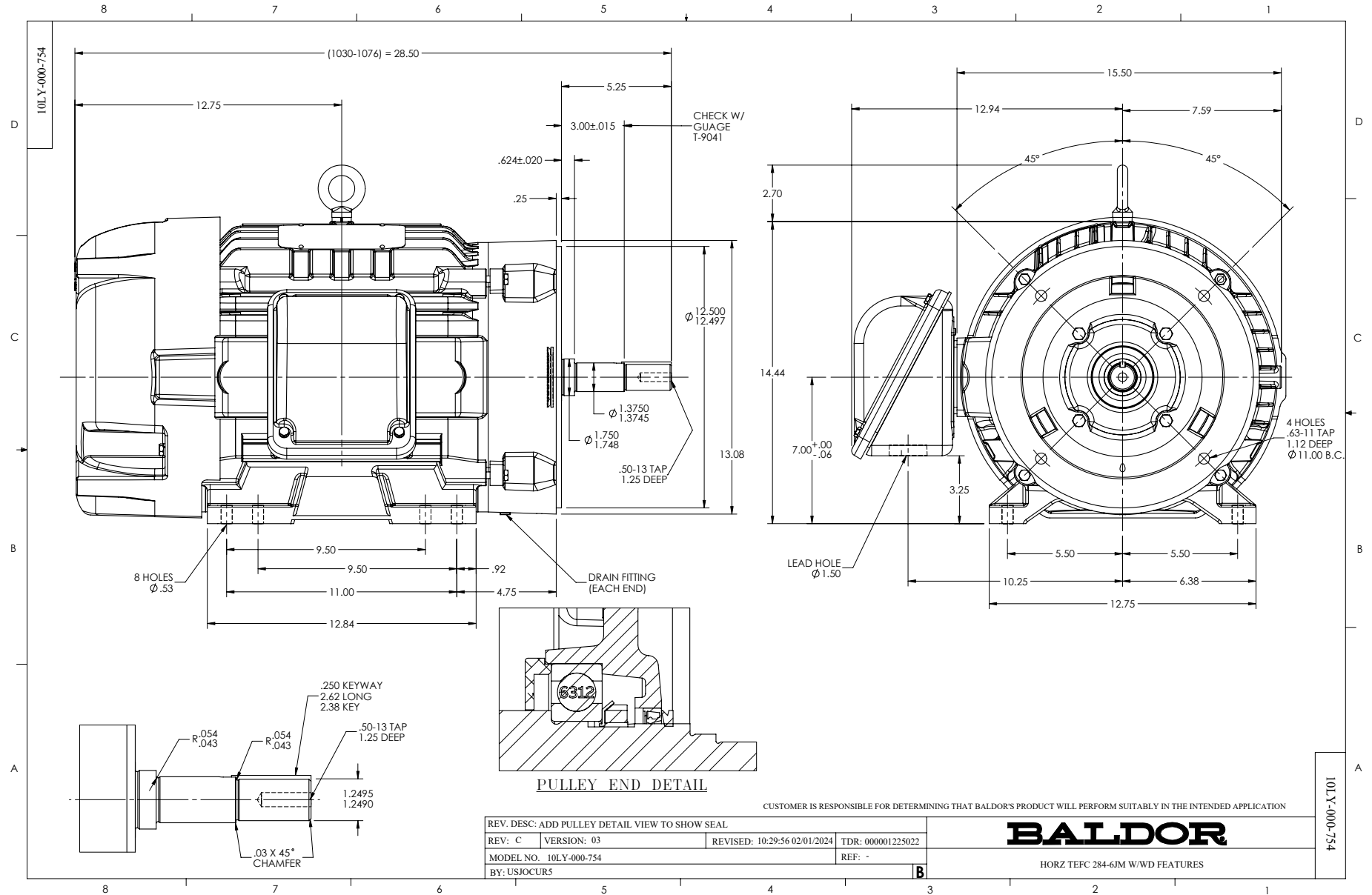
Typical performance - not guaranteed values.

25 HP 3 PH 60 HZ 3520 RPM 460 V 1050M

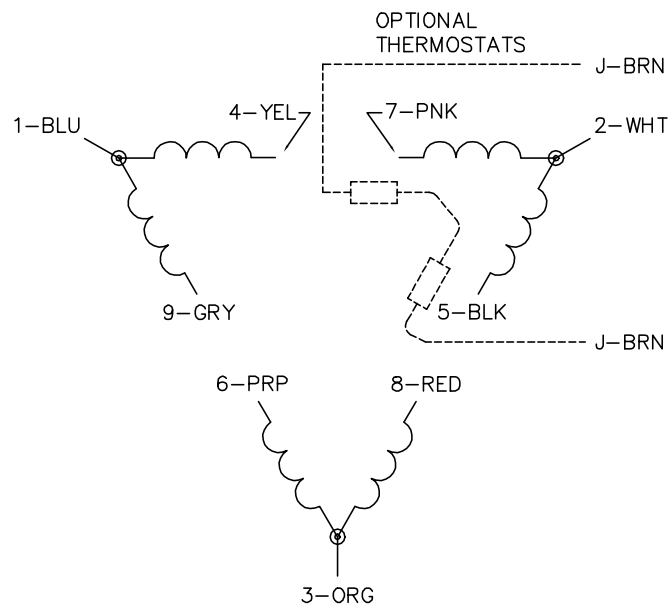
TORQUES (LB-FT): PO=120 PU=59.57 LR=68.64 LRA=188



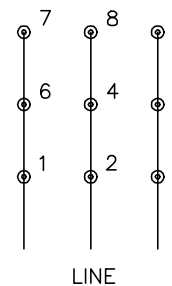
8/11/2024 ACPERF, record # 78723



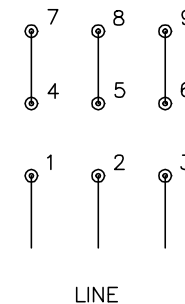
CD0180



LOW VOLTAGE
(2D)



HIGH VOLTAGE
(1D)



NOTES:

1. INTERCHANGE ANY TWO LINE LEADS TO REVERSE ROTATION.
2. OPTIONAL THERMOSTATS ARE PROVIDED WHEN SPECIFIED.
3. ACTUAL NUMBER OF INTERNAL PARALLEL CIRCUITS MAY BE A MULTIPLE OF THOSE SHOWN ABOVE.
4. LEAD COLORS ARE OPTIONAL. LEADS MUST ALWAYS BE NUMBERED AS SHOWN.

CD0180

REV. DESC: ADD CLASS CONN00000007		
REV. LTR: D	VERSION: 01	TDR: 000001099922
FILE: \AAA\00005\148	REVISED: 10: 25: 29 02/19/2019	BY: ENBRIRO
MTL: -	© □	

BALDOR - RELIANCE®

3PH, DV, 9 LEADS, DELTA CONNECTION

SH 1 of 1