



---

# Customer information packet

## JM3463-5

.75HP, 3450RPM, 3PH, 60HZ, 56J, 3416M, TEFC, F1

Class - None

Division - Not Applicable

## Specifications

Enclosure	TEFC
Frame	56J
Frame Material	Steel
Frequency	60.00 Hz
Haz Area Class and Group	None
Haz Area Division	Not Applicable
Motor Letter Type	Three Phase
Output @ Frequency	.750 HP @ 60 HZ
Phase	3
Synchronous Speed @ Frequency	3600 RPM @ 60 HZ
Voltage @ Frequency	575.0 V @ 60 HZ
Agency Approvals	UR CSA
Ambient Temperature	40 °C
Auxillary Box	No Auxillary Box
Auxillary Box Lead Termination	None
Base Indicator	No Mounting
Bearing Grease Type	Polyrex EM (-20F +300F)
Blower	None
Current @ Voltage	1.200 A @ 575.0 V
Design Code	B
Drip Cover	No Drip Cover
Duty Rating	CONT
Efficiency @ 100% Load	74.0 %
Electrically Isolated Bearing	Not Electrically Isolated
Feedback Device	NO FEEDBACK
Front Face Code	Standard
Front Shaft Indicator	None
Heater Indicator	No Heater
High Voltage Full Load Amps	1.2 a
Insulation Class	B
Inverter Code	Not Inverter

## Part detail

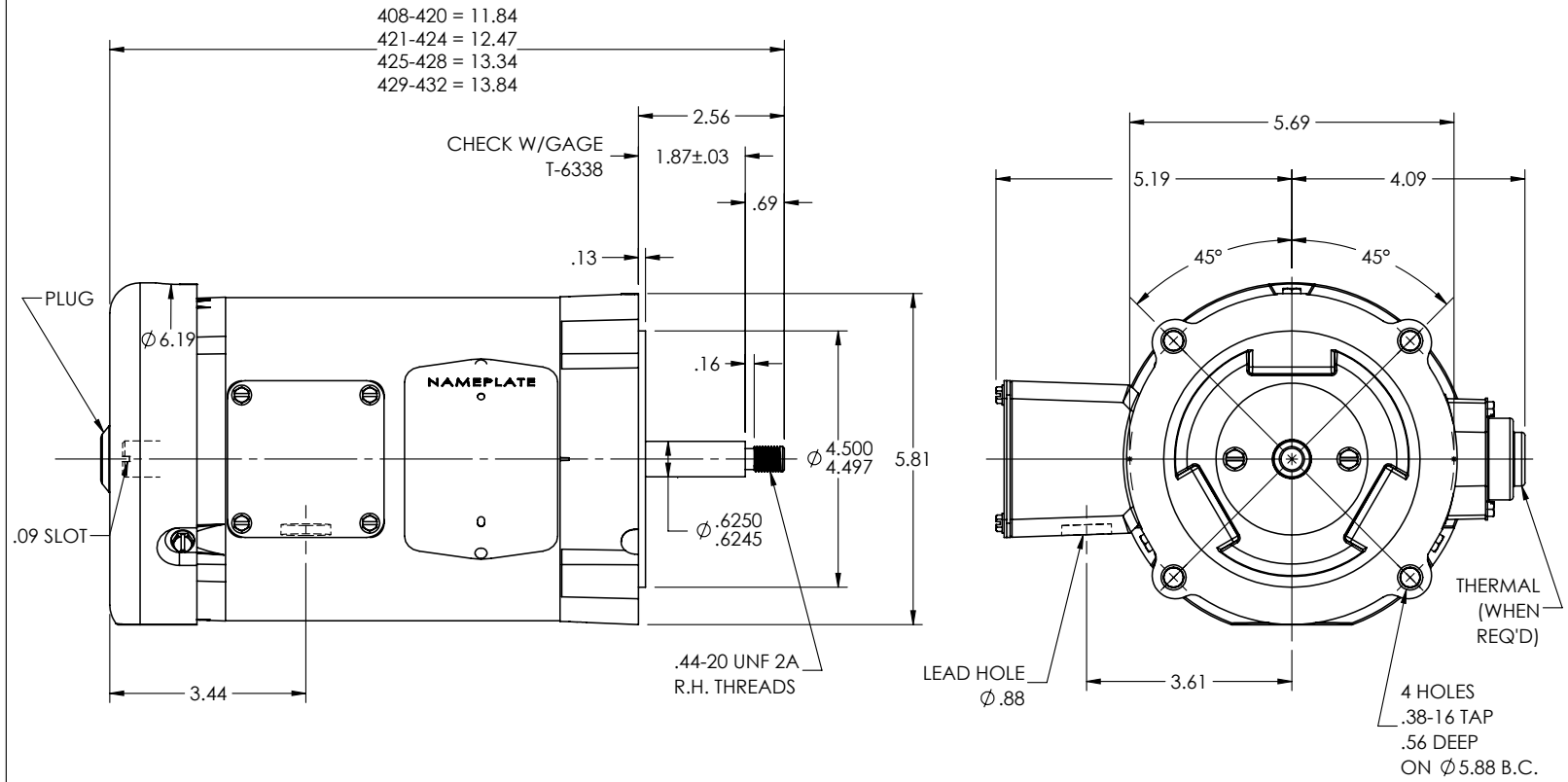
Revision	X
Type	AC
Mech. spec.	34K036
Base	
Status	PRD/A
Elec. spec.	34WG2907
Layout	34LYK036
Eff. date	02-08-2024
CD Diagram	CD0006
Poles	02
Leads	3#18
Proprietary	False
Created date	01-01-0001

<b>KVA Code</b>	M
<b>Lifting Lugs</b>	No Lifting Lugs
<b>Locked Bearing Indicator</b>	Locked Bearing
<b>Motor Lead Exit</b>	Ko Box
<b>Motor Lead Quantity/Wire Size</b>	3 @ 18 AWG
<b>Motor Lead Termination</b>	Flying Leads
<b>Motor Standards</b>	NEMA
<b>Motor Type</b>	3416M
<b>Mounting Arrangement</b>	F1
<b>Number of Poles</b>	2
<b>Overall Length</b>	11.84 IN
<b>Power Factor</b>	66
<b>Product Family</b>	General Purpose
<b>Pulley End Bearing Type</b>	Ball
<b>Pulley Face Code</b>	C-Face
<b>Pulley Shaft Indicator</b>	Ext Thread
<b>Rodent Screen</b>	None
<b>RoHS Status</b>	ROHS COMPLIANT
<b>Service Factor</b>	1.50
<b>Shaft Diameter</b>	0.625 IN
<b>Shaft Extension Location</b>	Pulley End
<b>Shaft Ground Indicator</b>	No Shaft Grounding
<b>Shaft Rotation</b>	Reversible
<b>Shaft Slinger Indicator</b>	No Slinger
<b>Speed</b>	3450 rpm
<b>Speed Code</b>	Single Speed
<b>Starting Method</b>	Direct on line
<b>Thermal Device - Bearing</b>	None
<b>Thermal Device - Winding</b>	None
<b>Vibration Sensor Indicator</b>	No Vibration Sensor

**Nameplate**

<b>NP1256L</b>									
<b>CAT.NO.</b>	JM3463-5								
<b>SPEC.</b>	34K36-2907								
<b>HP</b>	.75								
<b>VOLTS</b>	575								
<b>AMP</b>	1.2								
<b>RPM</b>	3450								
<b>FRAME</b>	56J		<b>HZ</b>	60		<b>PH</b>	3		
<b>SER.F.</b>	1.50	<b>CODE</b>	M	<b>DES</b>	B	<b>CLASS</b>	B		
<b>NEMA-NOM-EFF</b>	74	<b>PF</b>	66						
<b>RATING</b>	40C AMB-CONT								
<b>CC</b>									
<b>DE</b>	6203		<b>ODE</b>	6203					
<b>ENCL</b>	TEFC	<b>SN</b>							
	SFA 1.5								

34LYK036



CUSTOMER IS RESPONSIBLE FOR DETERMINING THAT THE PRODUCT WILL PERFORM SUITABLY IN THE INTENDED APPLICATION

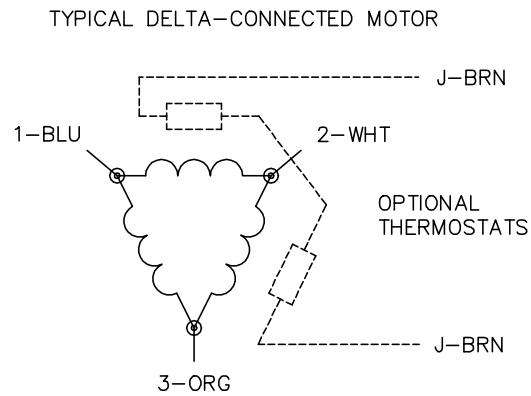
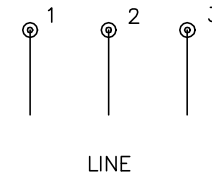
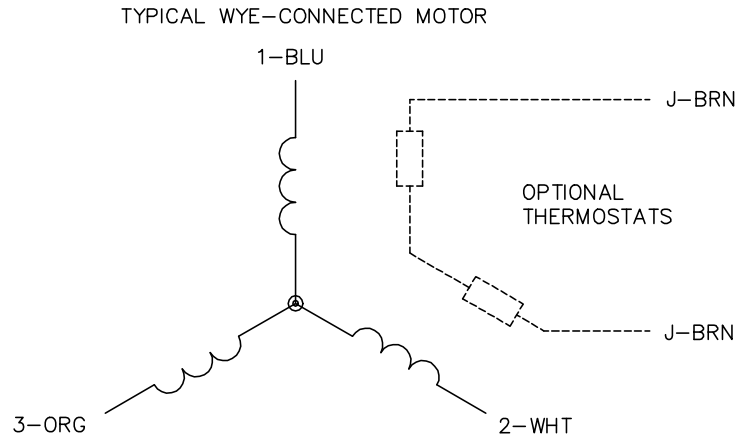
REV. DESC: LOAD TO SOLIDWORKS - REV G			
REV: H	VERSION: 03	REVISED: 04:25:22 12/19/2022	TDR: 000001201165
9Ǝ0X17Ǝ		MODEL NO. 34LYK036	REF: -
		BY: ENFRAJ0	

**BALDOR - RELIANCE®**

STD VERT MODEL 34M NEMA 56J TEFC

34LYK036

CD0006



NOTES:

1. THREE LEAD MOTOR MAY BE EITHER WYE CONNECTED OR DELTA CONNECTED.
2. INTERCHANGE ANY TWO LINE LEADS TO REVERSE ROTATION.
3. OPTIONAL THERMOSTATS ARE PROVIDED WHEN SPECIFIED.
4. ACTUAL NUMBER OF INTERNAL PARALLEL CIRCUITS MAY VARY.
5. LEAD COLORS ARE OPTIONAL. LEADS MUST BE NUMBERED AS SHOWN.

CD0006

REV. DESC: ADD CLASS CONN00000007		
REV. LTR: E	VERSION: 01	TDR: 000001099922
FILE: \AAA\00005\141	REVISED: 10:24:49 02/19/2019	BY: ENBRIRO
MTL: -	© □	

**BALDOR - RELIANCE®**

3PH, SV, 3 LEADS, WYE OR DELTA CONNECTED

SH 1 of 1