



Customer information packet

JM3457

.33HP, 3450RPM, 3PH, 60HZ, 56J, 3410M, TEFC, F1

Class - None

Division - Not Applicable

Specifications

Enclosure	TEFC
Frame	56J
Frame Material	Steel
Frequency	60.00 Hz
Motor Letter Type	Three Phase
Output @ Frequency	.330 HP @ 60 HZ
Phase	3
Synchronous Speed @ Frequency	3600 RPM @ 60 HZ
Voltage @ Frequency	230.0 V @ 60 HZ 460.0 V @ 60 HZ
XP Class and Group	None
XP Division	Not Applicable
Agency Approvals	CSA UR
Ambient Temperature	40 °C
Auxillary Box	No Auxillary Box
Auxillary Box Lead Termination	None
Base Indicator	No Mounting
Bearing Grease Type	Polyrex EM (-20F +300F)
Blower	None
Current @ Voltage	2.400 A @ 208.0 V 1.600 A @ 230.0 V .800 A @ 460.0 V
Design Code	B
Drip Cover	No Drip Cover
Duty Rating	CONT
Efficiency @ 100% Load	62.0 %
Electrically Isolated Bearing	Not Electrically Isolated
Feedback Device	NO FEEDBACK
Front Face Code	Standard
Front Shaft Indicator	None
Heater Indicator	No Heater

Part detail

Revision	T
Type	AC
Mech. spec.	34K036
Base	
Status	PRD/A
Elec. spec.	34WG5464
Layout	34LYK036
Eff. date	02-08-2024
CD Diagram	CD0005
Poles	02
Leads	9#18
Proprietary	False
Created date	01-01-0001

High Voltage Full Load Amps	0.8 a
Insulation Class	B
Inverter Code	Not Inverter
KVA Code	P
Lifting Lugs	No Lifting Lugs
Locked Bearing Indicator	Locked Bearing
Motor Lead Exit	Ko Box
Motor Lead Quantity/Wire Size	9 @ 18 AWG
Motor Lead Termination	Flying Leads
Motor Standards	NEMA
Motor Type	3410M
Mounting Arrangement	F1
Number of Poles	2
Overall Length	11.84 IN
Power Factor	61
Product Family	General Purpose
Pulley End Bearing Type	Ball
Pulley Face Code	C-Face
Pulley Shaft Indicator	Ext Thread
Rodent Screen	None
RoHS Status	ROHS COMPLIANT
Service Factor	1.75
Shaft Diameter	0.625 IN
Shaft Extension Location	Pulley End
Shaft Ground Indicator	No Shaft Grounding
Shaft Rotation	Reversible
Shaft Slinger Indicator	No Slinger
Speed	3450 rpm
Speed Code	Single Speed
Starting Method	Direct on line
Thermal Device - Bearing	None
Thermal Device - Winding	None
Vibration Sensor Indicator	No Vibration Sensor

Nameplate

NP1256L									
CAT.NO.	JM3457								
SPEC.	34K036-5464								
HP	.33								
VOLTS	230/460								
AMP	1.6/.8								
RPM	3450								
FRAME	56J		HZ	60		PH	3		
SER.F.	1.75	CODE	P	DES	B	CLASS	B		
NEMA-NOM-EFF	62	PF	61						
RATING	40C AMB-CONT								
CC									
DE	6203		ODE	6203					
ENCL	TEFC	SN							
	SFA 2.2/1.1								

Accessories

Part number	Description	Multiplier
34-171	C FACE KIT	A8

AC Induction Motor Performance Data

Record # 50781

Typical performance - not guaranteed values

Winding: 34WG5464-R001		Type: 3410M		Enclosure: TEFC	
Nameplate Data			460 V, 60 Hz: High Voltage Connection		
Rated Output (HP)	.33	Full Load Torque	0.5 LB-FT		
Volts	230/460	Start Configuration	direct on line		
Full Load Amps	1.6/.8	Breakdown Torque	3.25 LB-FT		
R.P.M.	3450	Pull-up Torque	2.1 LB-FT		
Hz	60 Phase	3	Locked-rotor Torque	2.54 LB-FT	
NEMA Design Code	B KVA Code	P	Starting Current	5.4 A	
Service Factor (S.F.)	1.75	No-load Current	0.76 A		
NEMA Nom. Eff.	62 Power Factor	61	Line-line Res. @ 25°C	38.5 Ω	
Rating - Duty	40C AMB-CONT	Temp. Rise @ Rated Load			
S.F. Amps	2.2/1.1	Temp. Rise @ S.F. Load			

Load Characteristics 460 V, 60 Hz, 0.33 HP

% of Rated Load	25	50	75	100	125	150	S.F.
Power Factor	27	36	45	53	60	66	74
Efficiency	37	54	62	67.5	70	72	75
Speed	3568	3548	3526	3503	3479	3454	3431
Line amperes	0.77	0.79	0.82	0.86	0.91	0.97	1.01

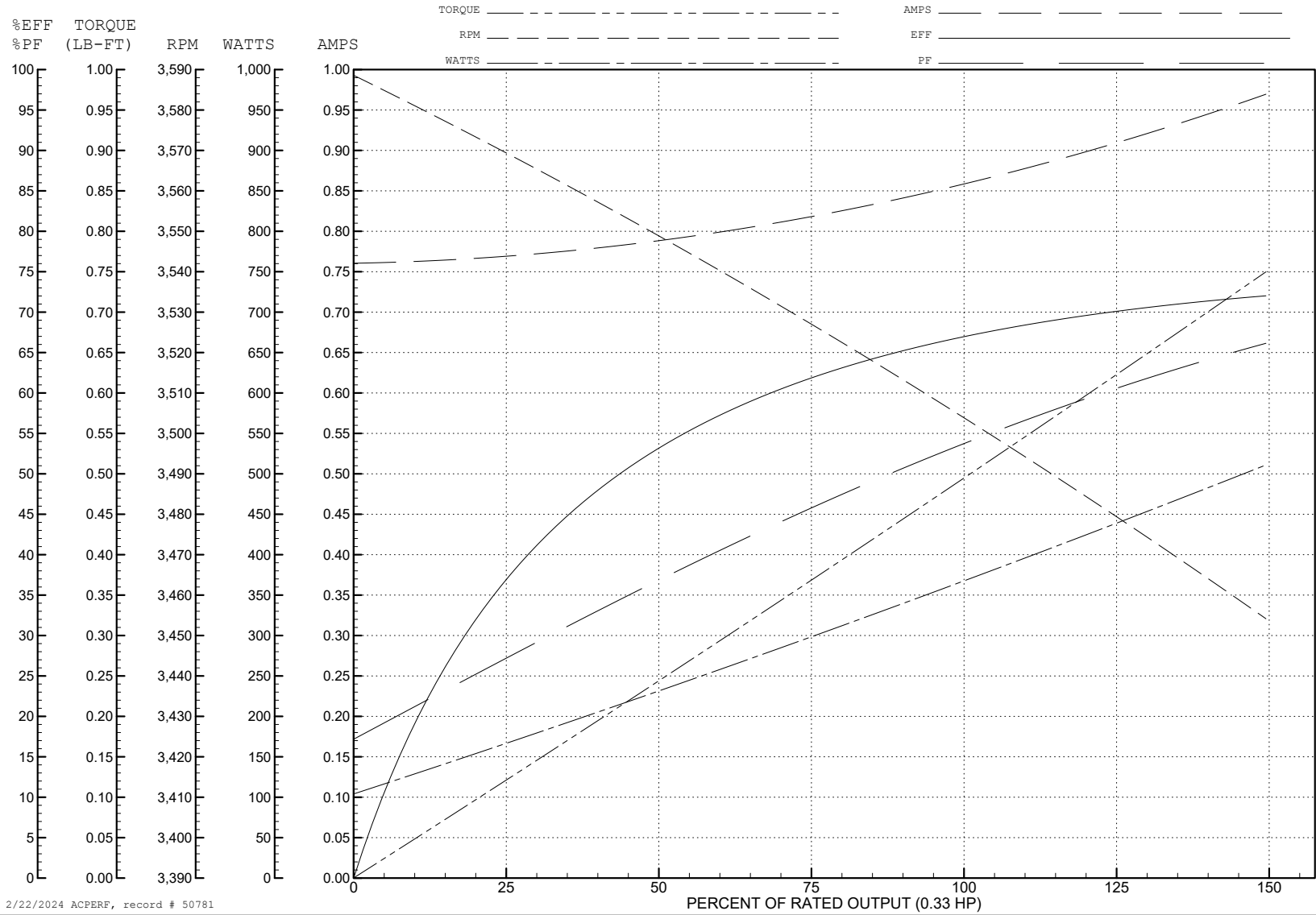
ABB Motors and Mechanical Inc.

WINDING # 34WG5464

0.33 HP 3 PH 60 HZ 3450 RPM 460 V 3410M

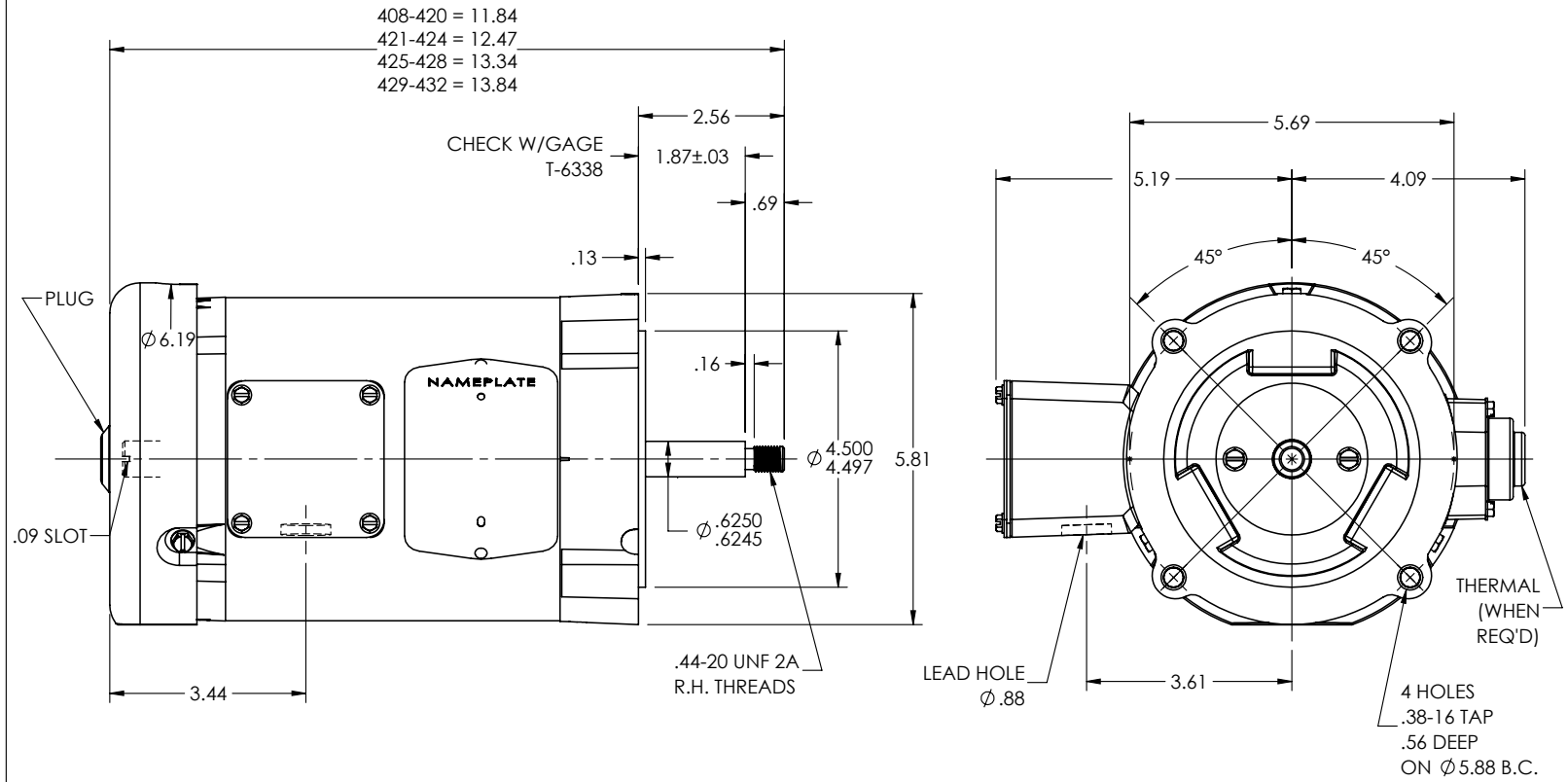
Typical performance - not guaranteed values.

TORQUES (LB-FT): PO=3.25 PU=2.1 LR=2.54 LRA=5.4



2/22/2024 ACPERF, record # 50781

34LYK036



CUSTOMER IS RESPONSIBLE FOR DETERMINING THAT THE PRODUCT WILL PERFORM SUITABLY IN THE INTENDED APPLICATION

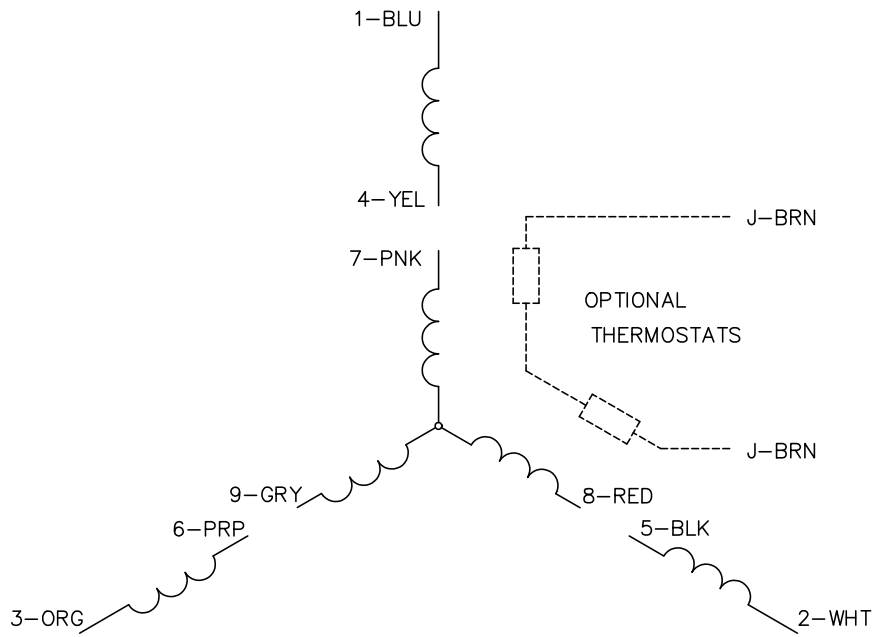
REV. DESC: LOAD TO SOLIDWORKS - REV G			
REV: H	VERSION: 03	REVISED: 04:25:22 12/19/2022	TDR: 000001201165
9E0XLT3E		MODEL NO. 34LYK036	REF: -
		BY: ENFRAJ0	

BALDOR - RELIANCE®

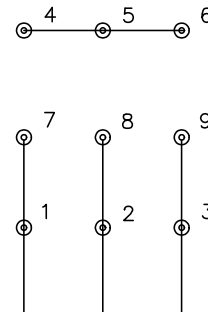
STD VERT MODEL 34M NEMA 56J TEFC

34LYK036

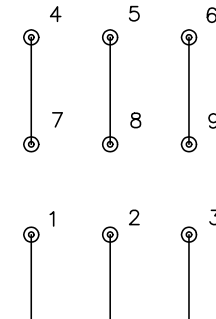
CD0005



LOW VOLTAGE
(2Y)



HIGH VOLTAGE
(1Y)



NOTES:

1. INTERCHANGE ANY TWO LINE LEADS TO REVERSE ROTATION.
2. OPTIONAL THERMOSTATS ARE PROVIDED WHEN SPECIFIED.
3. ACTUAL NUMBER OF INTERNAL PARALLEL CIRCUITS MAY BE A MULTIPLE OF THOSE SHOWN ABOVE.
4. LEAD COLORS ARE OPTIONAL. LEADS MUST ALWAYS BE NUMBERED AS SHOWN.

CD0005

REV. DESC: REVISE TO SHOW OPTIONAL COLORS			
REV. LTR: E	BY: JLP	REVISED: 01/19/99 10:15	TDR: 0171435
S00000		FILE: AAA00005140	MDL: -
		MTL: -	

BALDOR ELECTRIC Co.

3PH, DV, 9 LEADS