

# ABB BALDOR RELIANCE III

---

## Customer information packet

### JM3155

2HP, 3450RPM, 3PH, 60HZ, 56J, 3430M, OPEN, F1

Class - None

Division - Not Applicable

**Specifications**

<b>Enclosure</b>	OPEN
<b>Frame</b>	56J
<b>Frame Material</b>	Steel
<b>Frequency</b>	60.00 Hz
<b>Haz Area Class and Group</b>	None
<b>Haz Area Division</b>	Not Applicable
<b>Motor Letter Type</b>	Three Phase
<b>Output @ Frequency</b>	2.000 HP @ 60 HZ
<b>Phase</b>	3
<b>Synchronous Speed @ Frequency</b>	3600 RPM @ 60 HZ
<b>Voltage @ Frequency</b>	230.0 V @ 60 HZ 460.0 V @ 60 HZ
<b>Agency Approvals</b>	CSA UR
<b>Ambient Temperature</b>	40 °C
<b>Auxiliary Box</b>	NO AUXILLARY BOX
<b>Auxiliary Box Lead Termination</b>	None
<b>Base Indicator</b>	No Mounting
<b>Bearing Grease Type</b>	Polyrex EM (-20F +300F)
<b>Blower</b>	None
<b>Current @ Voltage</b>	6.400 A @ 208.0 V 5.400 A @ 230.0 V 2.700 A @ 460.0 V
<b>Design Code</b>	B
<b>Drip Cover</b>	Drip Cover
<b>Duty Rating</b>	CONT
<b>Efficiency @ 100% Load</b>	82.5 %
<b>Electrically Isolated Bearing</b>	Not Electrically Isolated
<b>Feedback Device</b>	NO FEEDBACK
<b>Front Face Code</b>	Drip Cover Mounting
<b>Front Shaft Indicator</b>	None
<b>Heater Indicator</b>	No Heater

**Part Detail**

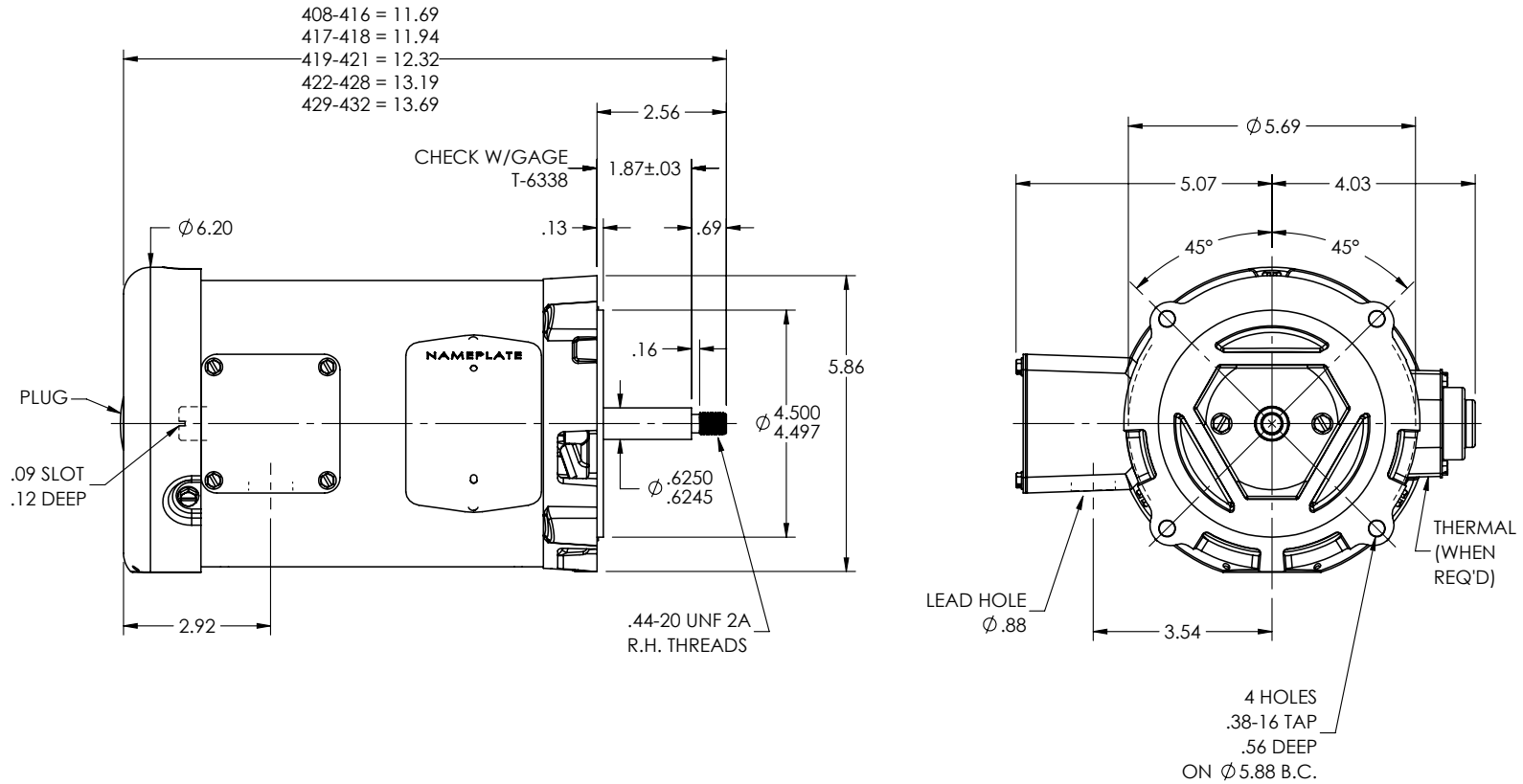
<b>Revision</b>	W
<b>Type</b>	AC
<b>Mech. spec.</b>	34F038
<b>Base</b>	
<b>Status</b>	PRD/A
<b>Elec. spec.</b>	34WGX636
<b>Layout</b>	34LYF038
<b>Eff. date</b>	12-31-2024
<b>CD Diagram</b>	CD0005
<b>Poles</b>	02
<b>Leads</b>	9#18
<b>Proprietary</b>	False
<b>Created date</b>	01-01-0001

High Voltage Full Load Amps	2.7 a
Insulation Class	B
Inverter Code	Not Inverter
KVA Code	L
Lifting Lugs	No Lifting Lugs
Locked Bearing Indicator	Locked Bearing
Motor Lead Exit	Ko Box
Motor Lead Quantity/Wire Size	9 @ 18 AWG
Motor Lead Termination	Flying Leads
Motor Standards	NEMA
Motor Type	3430M
Mounting Arrangement	F1
Number of Poles	2
Overall Length	13.72 IN
Power Factor	86
Product Family	General Purpose
Pulley End Bearing Type	Ball
Pulley Face Code	C-Face
Pulley Shaft Indicator	Ext Thread
Rodent Screen	None
RoHS Status	ROHS COMPLIANT
Service Factor	1.20
Shaft Diameter	0.625 IN
Shaft Extension Location	Pulley End
Shaft Ground Indicator	No Shaft Grounding
Shaft Rotation	Reversible
Shaft Slinger Indicator	No Slinger
Speed	3450 rpm
Speed Code	Single Speed
Starting Method	Direct on line
Thermal Device - Bearing	None
Thermal Device - Winding	None
Vibration Sensor Indicator	No Vibration Sensor

**Nameplate**

<b>NP1256L</b>										
<b>CAT.NO.</b>	JM3155									
<b>SPEC.</b>	34F038X636									
<b>HP</b>	2									
<b>VOLTS</b>	230/460									
<b>AMP</b>	5.4/2.7									
<b>RPM</b>	3450									
<b>FRAME</b>	56J		<b>HZ</b>	60			<b>PH</b>	3		
<b>SER.F.</b>	1.20	<b>CODE</b>	L	<b>DES</b>	B	<b>CLASS</b>		B		
<b>NEMA-NOM-EFF</b>	82.5	<b>PF</b>	86							
<b>RATING</b>	40C AMB-CONT									
<b>CC</b>										
<b>DE</b>	6203		<b>ODE</b>	6203						
<b>ENCL</b>	OPEN	<b>SN</b>								
	SFA 6.2/3.1									

34LYF038



CUSTOMER IS RESPONSIBLE FOR DETERMINING THAT THE PRODUCT WILL PERFORM SUITABLY IN THE INTENDED APPLICATION

REV. DESC: CLEAN UP DIMENSIONING

REV: K	VERSION: 03	REVISED: 09:08:49 09/02/2025	TDR: 000001262510
--------	-------------	------------------------------	-------------------

34LYF038

MODEL NO. 34LYF038

BY: ENJEFD0

REF: -

**BALDOR - RELIANCE®**

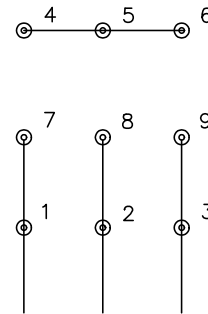
STD VERT 56J OPEN 34M W/DRIP CVR

34LYF038

CD0005

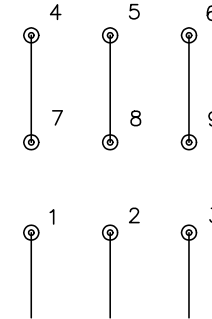


LOW VOLTAGE  
(2Y)



LINE

HIGH VOLTAGE  
(1Y)



LINE

**NOTES:**

1. INTERCHANGE ANY TWO LINE LEADS TO REVERSE ROTATION.
2. OPTIONAL THERMOSTATS ARE PROVIDED WHEN SPECIFIED.
3. ACTUAL NUMBER OF INTERNAL PARALLEL CIRCUITS MAY BE A MULTIPLE OF THOSE SHOWN ABOVE.
4. LEAD COLORS ARE OPTIONAL. LEADS MUST ALWAYS BE NUMBERED AS SHOWN.

CD0005

REV. DESC: REVISE TO SHOW OPTIONAL COLORS

REV. LTR: E BY: JLP REVISED: 01/19/99 10:15 TDR: 0171435

500000

FILE: AAA00005140

MDL: -

MTL: -

**BALDOR ELECTRIC Co.**

3PH, DV, 9 LEADS