

ABB BALDOR RELIANCE III

Customer information packet

JM3111

.75HP, 3450RPM, 3PH, 60HZ, 56J, 3416M, OPEN, F1

Class - None

Division - Not Applicable

Specifications

| | |
|---------------------------------------|--|
| Enclosure | OPEN |
| Frame | 56J |
| Frame Material | Steel |
| Frequency | 60.00 Hz |
| Haz Area Class and Group | None |
| Haz Area Division | Not Applicable |
| Motor Letter Type | Three Phase |
| Output @ Frequency | .750 HP @ 60 HZ |
| Phase | 3 |
| Synchronous Speed @ Frequency | 3600 RPM @ 60 HZ |
| Voltage @ Frequency | 208.0 V @ 60 HZ 230.0 V @ 60 HZ 460.0 V @ 60 HZ |
| Agency Approvals | CSA UR |
| Ambient Temperature | 40 °C |
| Auxiliary Box | NO AUXILLARY BOX |
| Auxiliary Box Lead Termination | None |
| Base Indicator | No Mounting |
| Bearing Grease Type | Polyrex EM (-20F +300F) |
| Blower | None |
| Current @ Voltage | 4.000 A @ 208.0 V 3.200 A @ 208.0 V 3.000 A @ 230.0 V 1.500 A @ 460.0 V |
| Design Code | B |
| Drip Cover | Drip Cover |
| Duty Rating | CONT |
| Efficiency @ 100% Load | 74.0 % |
| Electrically Isolated Bearing | Not Electrically Isolated |
| Feedback Device | NO FEEDBACK |
| Front Face Code | Drip Cover Mounting |

Part Detail

| | |
|---------------------|------------|
| Revision | AB |
| Type | AC |
| Mech. spec. | 34F038 |
| Base | |
| Status | PRD/A |
| Elec. spec. | 34WG2719 |
| Layout | 34LYF038 |
| Eff. date | 04-16-2025 |
| CD Diagram | CD0005 |
| Poles | 02 |
| Leads | 9#18 |
| Proprietary | False |
| Created date | 01-01-0001 |

| | |
|--------------------------------------|--------------------|
| Front Shaft Indicator | None |
| Heater Indicator | No Heater |
| High Voltage Full Load Amps | 1.5 a |
| Insulation Class | B |
| Inverter Code | Not Inverter |
| KVA Code | M |
| Lifting Lugs | No Lifting Lugs |
| Locked Bearing Indicator | Locked Bearing |
| Motor Lead Exit | Ko Box |
| Motor Lead Quantity/Wire Size | 9 @ 18 AWG |
| Motor Lead Termination | Flying Leads |
| Motor Standards | NEMA |
| Motor Type | 3416M |
| Mounting Arrangement | F1 |
| Number of Poles | 2 |
| Overall Length | 11.72 IN |
| Power Factor | 66 |
| Product Family | General Purpose |
| Pulley End Bearing Type | Ball |
| Pulley Face Code | C-Face |
| Pulley Shaft Indicator | Ext Thread |
| Rodent Screen | None |
| RoHS Status | ROHS COMPLIANT |
| Service Factor | 1.50 |
| Shaft Diameter | 0.625 IN |
| Shaft Extension Location | Pulley End |
| Shaft Ground Indicator | No Shaft Grounding |
| Shaft Rotation | Reversible |
| Shaft Slinger Indicator | No Slinger |
| Speed | 3450 rpm |
| Speed Code | Single Speed |
| Starting Method | Direct on line |
| Thermal Device - Bearing | None |
| Thermal Device - Winding | None |

Vibration Sensor Indicator

No Vibration Sensor

Nameplate

| NP1256L | | | | | | | | | |
|---------------------|---------------|-------------|------------|------------|---|--------------|---|--|--|
| CAT.NO. | JM3111 | | | | | | | | |
| SPEC. | 34F38-2719 | | | | | | | | |
| HP | .75 | | | | | | | | |
| VOLTS | 208-230/460 | | | | | | | | |
| AMP | 3.2-3/1.5 | | | | | | | | |
| RPM | 3450 | | | | | | | | |
| FRAME | 56J | | HZ | 60 | | PH | 3 | | |
| SER.F. | 1.50 | CODE | M | DES | B | CLASS | B | | |
| NEMA-NOM-EFF | 74 | PF | 66 | | | | | | |
| RATING | 40C AMB-CONT | | | | | | | | |
| CC | | | | | | | | | |
| DE | 6203 | | ODE | 6203 | | | | | |
| ENCL | OPEN | SN | | | | | | | |
| | SFA 4-3.8/1.9 | | | | | | | | |

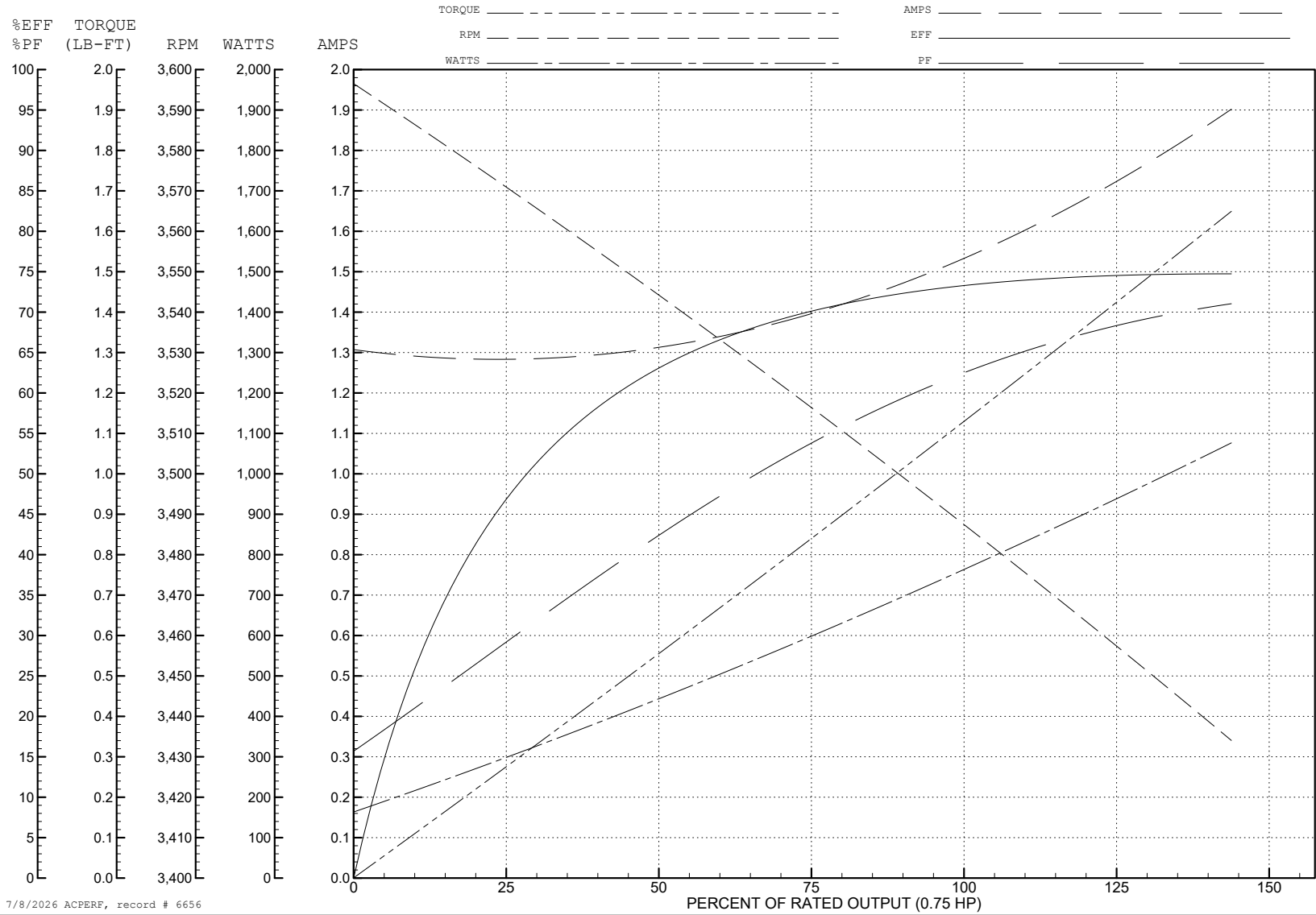
ABB Motors and Mechanical Inc.

WINDING # 34WG2719

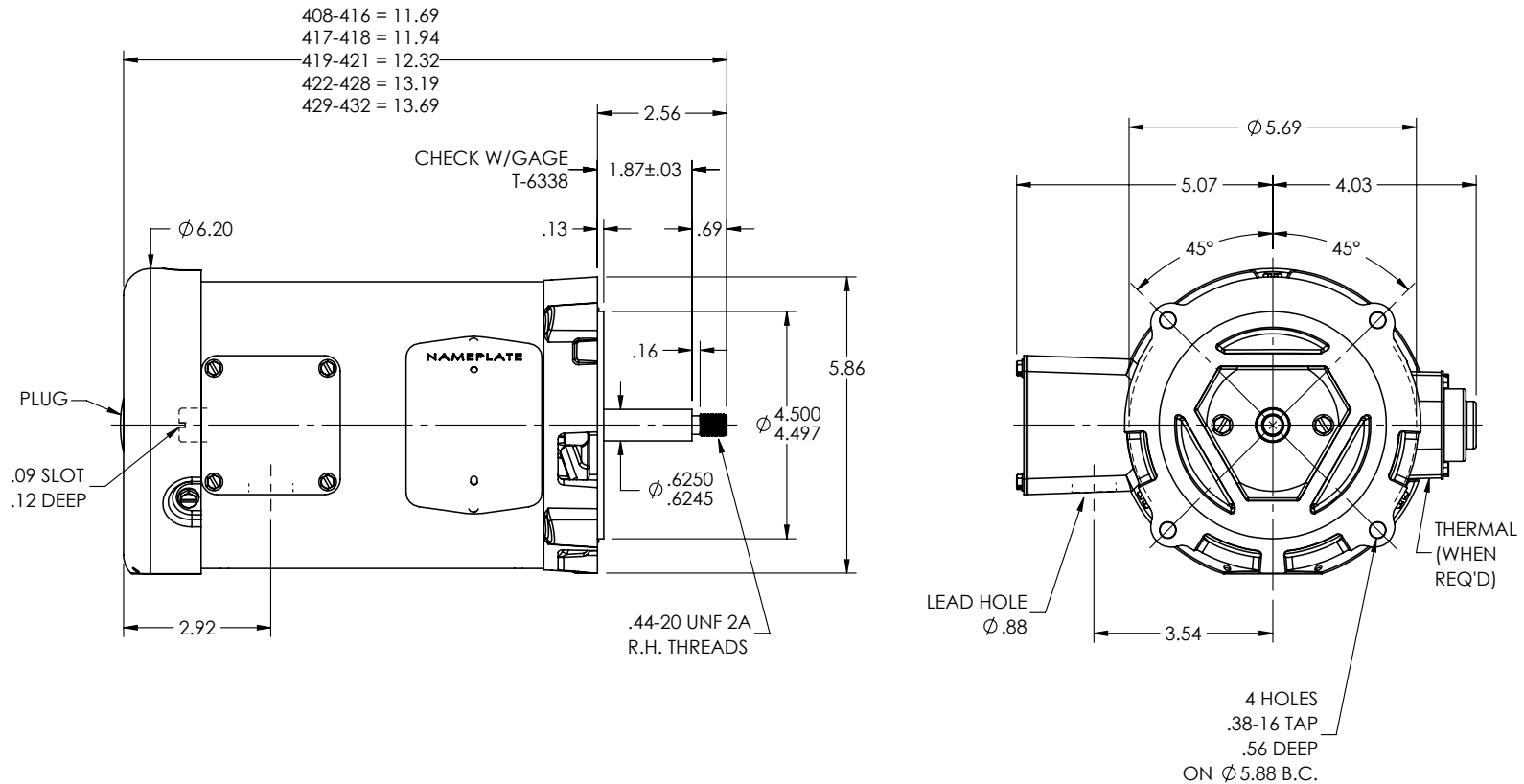
0.75 HP 3 PH 60 HZ 3450 RPM 460 V 3416M

Typical performance - not guaranteed values.

TORQUES (LB-FT): PO=6.2 PU=5.2 LR=5.4 LRA=11.4



34LYF038



CUSTOMER IS RESPONSIBLE FOR DETERMINING THAT THE PRODUCT WILL PERFORM SUITABLY IN THE INTENDED APPLICATION

REV. DESC: CLEAN UP DIMENSIONING

REV: K VERSION: 03 REVISED: 09:08:49 09/02/2025 TDR: 000001262510

34LYF038

MODEL NO. 34LYF038

BY: ENJEFD0

REF: -

BALDOR - RELIANCE®

STD VERT 56J OPEN 34M W/DRIP CVR

34LYF038

CD0005

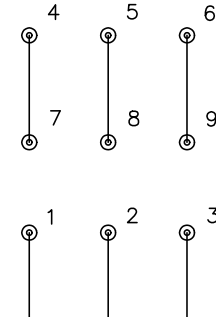


LOW VOLTAGE
(2Y)



LINE

HIGH VOLTAGE
(1Y)



LINE

NOTES:

1. INTERCHANGE ANY TWO LINE LEADS TO REVERSE ROTATION.
2. OPTIONAL THERMOSTATS ARE PROVIDED WHEN SPECIFIED.
3. ACTUAL NUMBER OF INTERNAL PARALLEL CIRCUITS MAY BE A MULTIPLE OF THOSE SHOWN ABOVE.
4. LEAD COLORS ARE OPTIONAL. LEADS MUST ALWAYS BE NUMBERED AS SHOWN.

CD0005

REV. DESC: REVISE TO SHOW OPTIONAL COLORS

REV. LTR: E BY: JLP REVISED: 01/19/99 10:15 TDR: 0171435

500000

FILE: AAA00005140

MDL: -

MTL: -

BALDOR ELECTRIC Co.

3PH, DV, 9 LEADS