

BALDOR • RELIANCE

Customer information packet

JM3108

.5HP, 1720RPM, 3PH, 60HZ, 56J, 3416M, OPEN, F1

Class - None

Division - Not Applicable

Specifications

Enclosure	OPEN
Frame	56J
Frame Material	Steel
Frequency	60.00 Hz
Haz Area Class and Group	None
Haz Area Division	Not Applicable
Motor Letter Type	Three Phase
Output @ Frequency	.500 HP @ 60 HZ
Phase	3
Synchronous Speed @ Frequency	1800 RPM @ 60 HZ
Voltage @ Frequency	230.0 V @ 60 HZ 460.0 V @ 60 HZ
Agency Approvals	CSA UR
Ambient Temperature	40 °C
Auxillary Box	No Auxillary Box
Auxillary Box Lead Termination	None
Base Indicator	No Mounting
Bearing Grease Type	Polyrex EM (-20F +300F)
Blower	None
Current @ Voltage	.800 A @ 460.0 V 1.600 A @ 230.0 V 1.700 A @ 208.0 V
Design Code	B
Drip Cover	Drip Cover
Duty Rating	CONT
Efficiency @ 100% Load	75.5 %
Electrically Isolated Bearing	Not Electrically Isolated
Feedback Device	NO FEEDBACK
Front Shaft Indicator	None
Heater Indicator	No Heater
High Voltage Full Load Amps	0.8 a

Part detail

Revision	B
Type	AC
Mech. spec.	34-0764
Base	
Status	PRD/A
Elec. spec.	34WGR706
Layout	34LY0764
Eff. date	02-08-2024
CD Diagram	CD0005
Poles	04
Leads	9#18 Y
Proprietary	False
Created date	01-29-2021

Insulation Class	B
Inverter Code	Not Inverter
KVA Code	J
Lifting Lugs	No Lifting Lugs
Locked Bearing Indicator	Locked Bearing
Motor Lead Quantity/Wire Size	9 @ 18 AWG
Motor Lead Termination	Flying Leads
Motor Standards	NEMA
Motor Type	3416M
Mounting Arrangement	F1
Number of Poles	4
Overall Length	11.85 IN
Power Factor	75
Product Family	General Purpose
Pulley End Bearing Type	Ball
Pulley Face Code	Standard
Pulley Shaft Indicator	Ext Thread
Rodent Screen	None
Service Factor	1.25
Shaft Diameter	0.625 IN
Shaft Ground Indicator	No Shaft Grounding
Shaft Rotation	Reversible
Shaft Slinger Indicator	No Slinger
Speed	1720 rpm
Speed Code	Single Speed
Starting Method	Direct on line
Thermal Device - Bearing	None
Thermal Device - Winding	None
Vibration Sensor Indicator	No Vibration Sensor
Winding Thermal 1	None
Winding Thermal 2	None

Nameplate

NP1256L									
CAT.NO.	JM3108								
SPEC.	34-0764R706								
HP	.5								
VOLTS	230/460								
AMP	1.6/.8								
RPM	1720								
FRAME	56J		HZ	60		PH	3		
SER.F.	1.25	CODE	J	DES	B	CLASS	B		
NEMA-NOM-EFF	75.5	PF	75						
RATING	40C AMB-CONT								
CC									
DE	6203		ODE	6203					
ENCL	OPEN	SN							
	SFA 1.9/0.95								

AC Induction Motor Performance Data

Record # 85443

Typical performance - not guaranteed values

Winding: 34WGR706-R001		Type: 3416M		Enclosure: TEFC	
Nameplate Data			460 V, 60 Hz: High Voltage Connection		
Rated Output (HP)	0.5		Full Load Torque	1.53 LB-FT	
Volts	230/460		Start Configuration	direct on line	
Full Load Amps	1.6/0.8		Breakdown Torque	5.15 LB-FT	
R.P.M.	1720		Pull-up Torque	2.87 LB-FT	
Hz	60 Phase	3	Locked-rotor Torque	3.94 LB-FT	
NEMA Design Code	B KVA Code	J	Starting Current	5 A	
Service Factor (S.F.)	1.25		No-load Current	0.577 A	
NEMA Nom. Eff.	75.5 Power Factor	75	Line-line Res. @ 25°C	48.9 Ω	
Rating - Duty	40C AMB-CONT		Temp. Rise @ Rated Load	50°C	
S.F. Amps	1.9/0.95		Temp. Rise @ S.F. Load	70°C	
			Locked-rotor Power Factor	70.8	
			Rotor inertia	0.0381 lb-ft ²	

Load Characteristics 460 V, 60 Hz, 0.5 HP

% of Rated Load	25	50	75	100	125	150	S.F.
Power Factor	34	53	66	75	81	84	81
Efficiency	58.6	70.6	74.6	75.5	74.8	72.9	74.8
Speed	1779	1761	1741	1718	1692	1662	1692
Line amperes	0.583	0.631	0.712	0.824	0.962	1.14	0.962

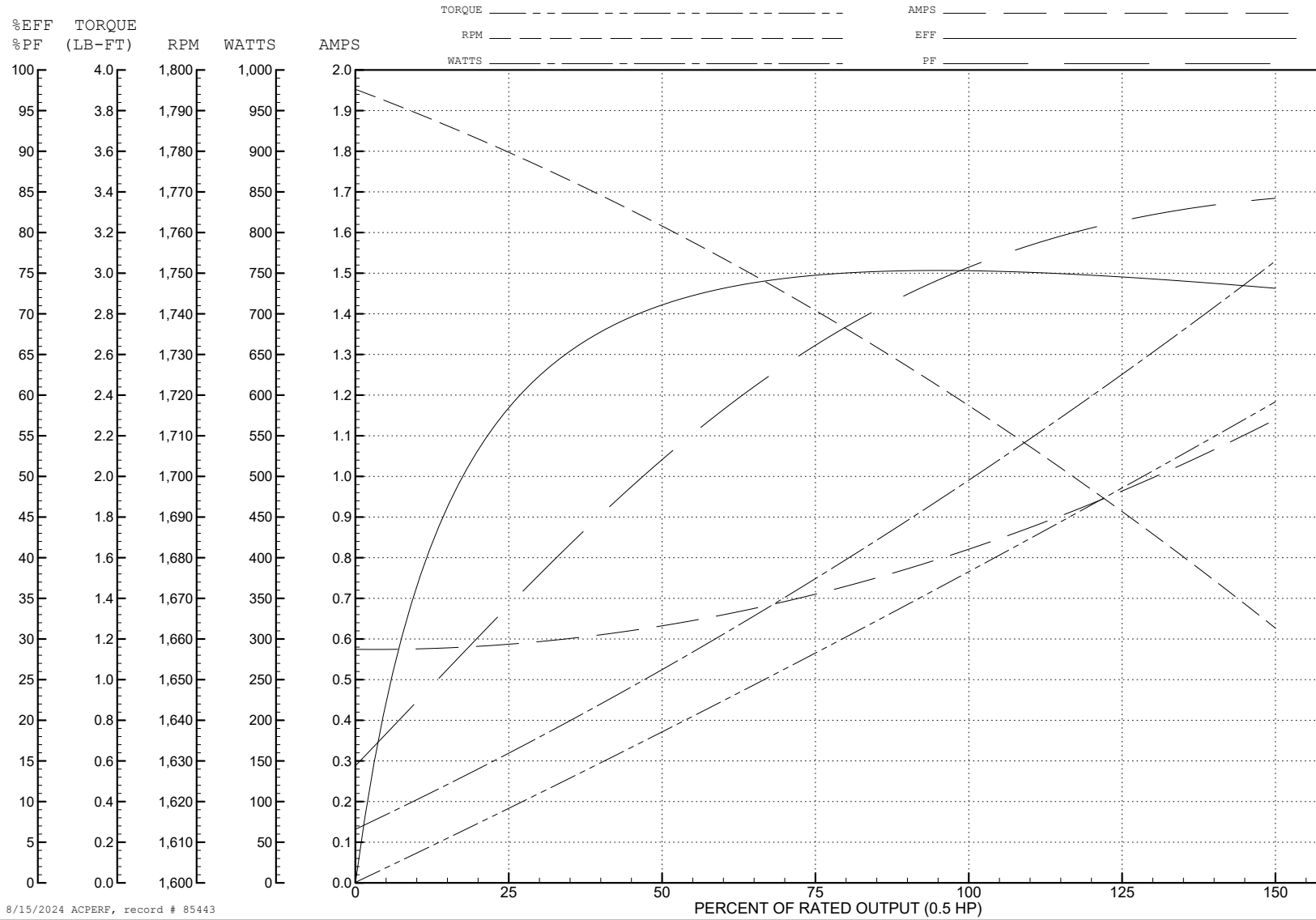
ABB Motors and Mechanical Inc.

WINDING # 34WGR706

0.5 HP 3 PH 60 HZ 1720 RPM 460 V 3416M

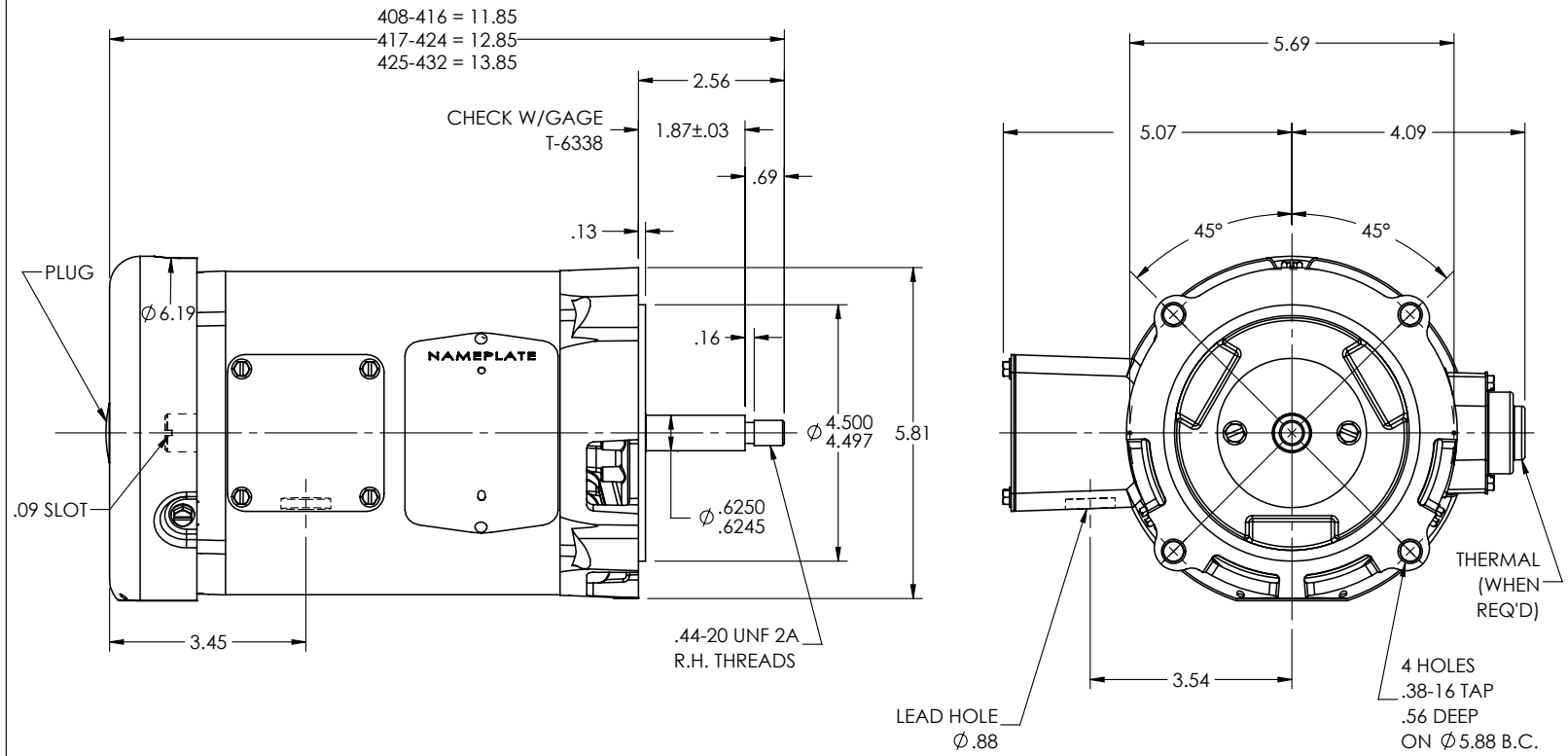
Typical performance - not guaranteed values.

TORQUES (LB-FT): PO=5.15 PU=2.87 LR=3.94 LRA=5



8/15/2024 ACPERF, record # 85443

34LY0764



CUSTOMER IS RESPONSIBLE FOR DETERMINING THAT THE PRODUCT WILL PERFORM SUITABLY IN THE INTENDED APPLICATION

REV. DESC: LOAD TO SOLIDWORKS - REV F			
REV: G	VERSION: 05	REVISED: 08:30:49 04/05/2023	TDR: 000001201165
MODEL NO. 34LY0764		REF: -	
BY: ENFRAJ0			

BALDOR - RELIANCE®

STD VERT 34M NEMA 56J OPEN

34LY0764

CD0005



LOW VOLTAGE
(2Y)



LINE

HIGH VOLTAGE
(1Y)



LINE

NOTES:

1. INTERCHANGE ANY TWO LINE LEADS TO REVERSE ROTATION.
2. OPTIONAL THERMOSTATS ARE PROVIDED WHEN SPECIFIED.
3. ACTUAL NUMBER OF INTERNAL PARALLEL CIRCUITS MAY BE A MULTIPLE OF THOSE SHOWN ABOVE.
4. LEAD COLORS ARE OPTIONAL. LEADS MUST ALWAYS BE NUMBERED AS SHOWN.

CD0005

REV. DESC: REVISE TO SHOW OPTIONAL COLORS			
REV. LTR: E	BY: JLP	REVISED: 01/19/99 10:15	TDR: 0171435
S00000		FILE: AAA00005140	MDL: -
		MTL: -	

BALDOR ELECTRIC Co.

3PH, DV, 9 LEADS