



---

# Customer information packet

## JL3503A

.5HP, 3450RPM, 1PH, 60HZ, 56J, 3420L, TEFC, F1

Class - None

Division - Not Applicable

## Specifications

Enclosure	TEFC
Frame	56J
Frame Material	Steel
Frequency	60.00 Hz
Haz Area Class and Group	None
Haz Area Division	Not Applicable
Motor Letter Type	Cap Start, Induction Run
Output @ Frequency	.500 HP @ 60 HZ
Phase	1
Synchronous Speed @ Frequency	3600 RPM @ 60 HZ
Voltage @ Frequency	230.0 V @ 60 HZ 208.0 V @ 60 HZ 115.0 V @ 60 HZ
Agency Approvals	CSA UR
Ambient Temperature	40 °C
Auxillary Box	No Auxillary Box
Auxillary Box Lead Termination	None
Base Indicator	No Mounting
Bearing Grease Type	Polyrex EM (-20F +300F)
Blower	None
Current @ Voltage	7.400 A @ 115.0 V 4.100 A @ 208.0 V 3.700 A @ 230.0 V
Design Code	N
Drip Cover	No Drip Cover
Duty Rating	CONT
Efficiency @ 100% Load	62.0 %
Electrically Isolated Bearing	Not Electrically Isolated
Feedback Device	NO FEEDBACK
Front Face Code	Standard
Front Shaft Indicator	None

## Part detail

Revision	U
Type	AC
Mech. spec.	34-3099
Base	
Status	PRD/A
Elec. spec.	34WG3626
Layout	34LY3099
Eff. date	09-18-2023
CD Diagram	CD0094
Poles	02
Leads	4#18,1#16 #4TH Y
Proprietary	False
Created date	01-01-0001

Heater Indicator	No Heater
High Voltage Full Load Amps	3.7 a
Insulation Class	B
Inverter Code	Not Inverter
KVA Code	K
Lifting Lugs	No Lifting Lugs
Locked Bearing Indicator	Locked Bearing
Motor Lead Exit	Ko Box
Motor Lead Quantity/Wire Size	4 @ 18 AWG
Motor Lead Termination	Flying Leads
Motor Standards	NEMA
Motor Type	3420L
Mounting Arrangement	F1
Number of Poles	2
Overall Length	12.85 IN
Power Factor	69
Product Family	General Purpose
Pulley End Bearing Type	Ball
Pulley Face Code	C-Face
Pulley Shaft Indicator	Ext Thread
Rodent Screen	None
RoHS Status	ROHS COMPLIANT
Service Factor	1.60
Shaft Diameter	0.625 IN
Shaft Extension Location	Pulley End
Shaft Ground Indicator	No Shaft Grounding
Shaft Rotation	Fixed Opposite Standard
Shaft Slinger Indicator	No Slinger
Speed	3450 rpm
Speed Code	Single Speed
Starting Method	Direct on line
Thermal Device - Bearing	None
Thermal Device - Winding	None
Vibration Sensor Indicator	No Vibration Sensor

Winding Thermal 1

Automatic Thermal Overload

Winding Thermal 1 Location

SB

**Nameplate**

<b>NP1257L</b>	
<b>CAT.NO.</b>	JL3503A
<b>SPEC.</b>	34-3099-3626G3
<b>HP</b>	.5
<b>VOLTS</b>	115/208-230
<b>AMP</b>	7.4/4.1-3.7
<b>RPM</b>	3450
<b>FRAME</b>	56J <b>HZ</b> 60 <b>PH</b> 1
<b>SER.F.</b>	1.60 <b>CODE</b> K <b>DES</b> N <b>CL</b> B
<b>NEMA-NOM-EFF</b>	62 <b>PF</b> 69
<b>RATING</b>	40C AMB-CONT
<b>CC</b>	
<b>DE</b>	6203 <b>ODE</b> 6203
<b>ENCL</b>	TEFC <b>SN</b>
	SFA 9.8/5.2-4.9

**Accessories**

<b>Part number</b>	<b>Description</b>	<b>Multiplier</b>
34-171	C FACE KIT	A8

**AC Induction Motor Performance Data**

Record # 6693

Typical performance - not guaranteed values

Winding: 34WG3626-R002		Type: 3420L		Enclosure: TEFC	
<b>Nameplate Data</b>			<b>230 V, 60 Hz: High Voltage Connection</b>		
Rated Output (HP)	.5		Full Load Torque	0.75 LB-FT	
Volts	115/208-230		Start Configuration	direct on line	
Full Load Amps	7.4/4.1-3.7		Breakdown Torque	2.5 LB-FT	
R.P.M.	3450		Pull-up Torque	1.4 LB-FT	
Hz	60 Phase	1	Locked-rotor Torque	2 LB-FT	
NEMA Design Code	N	KVA Code	K	Starting Current	19.5 A
Service Factor (S.F.)	1.6		No-load Current	2.75 A	
NEMA Nom. Eff.	62	Power Factor	69	Line-line Res. @ 25°C	3.56 Ω A Ph 2.56 Ω B Ph
Rating - Duty	40C AMB-CONT		Temp. Rise @ Rated Load	61°C	
S.F. Amps	9.8/5.2-4.9		Temp. Rise @ S.F. Load	78°C	

**Load Characteristics 230 V, 60 Hz, 0.5 HP**

% of Rated Load	25	50	75	100	125	150	S.F.
Power Factor	39	51	62	70	76	80	84
Efficiency	36.5	52.1	60.2	64.6	66.9	67.7	70.1
Speed	3564	3542	3518	3492	3463	3431	3422
Line amperes	2.85	3.05	3.3	3.6	4	4.5	4.56

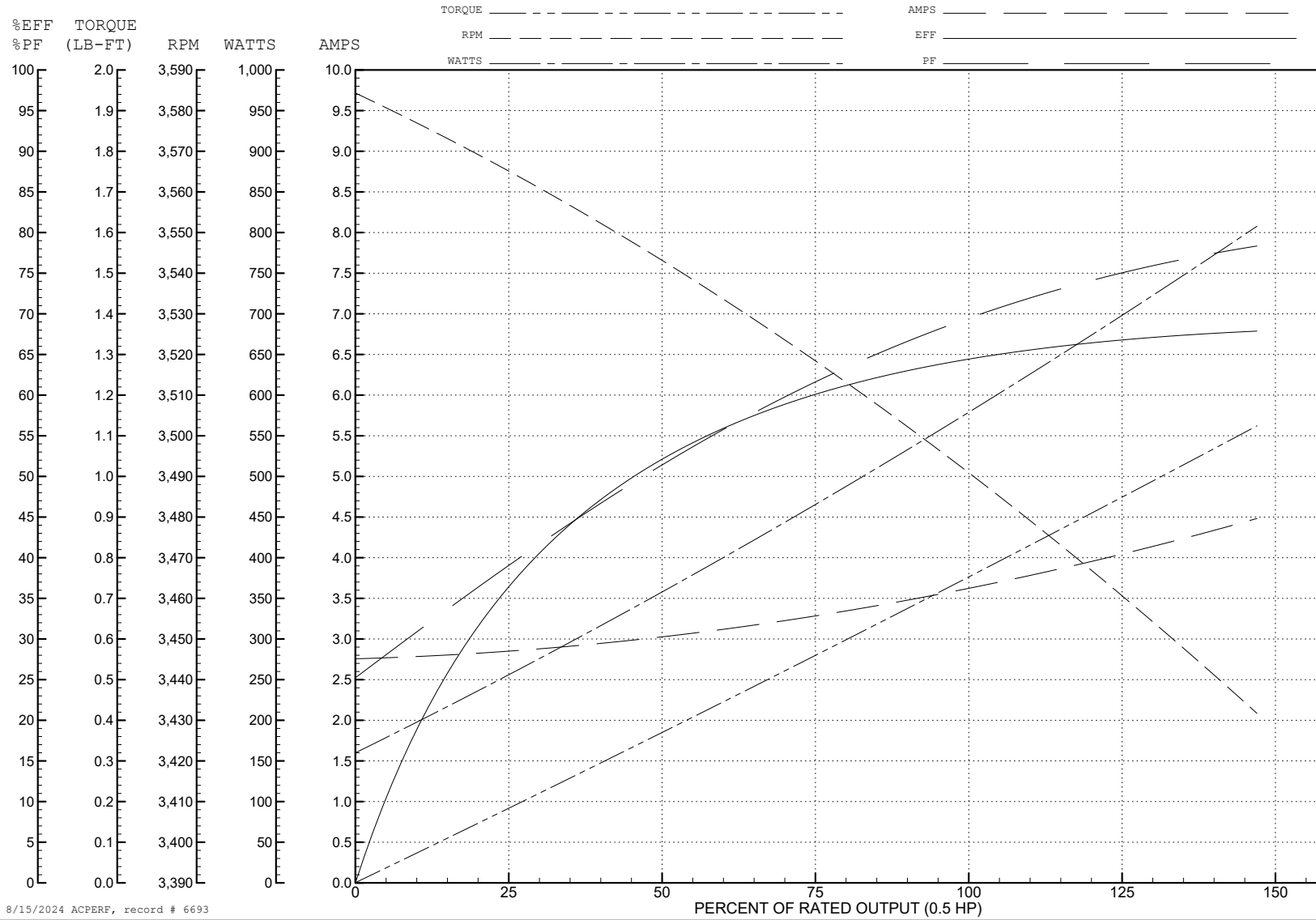
ABB Motors and Mechanical Inc.

WINDING # 34WG3626

0.5 HP 1 PH 60 HZ 3450 RPM 230 V 3420L

Typical performance - not guaranteed values.

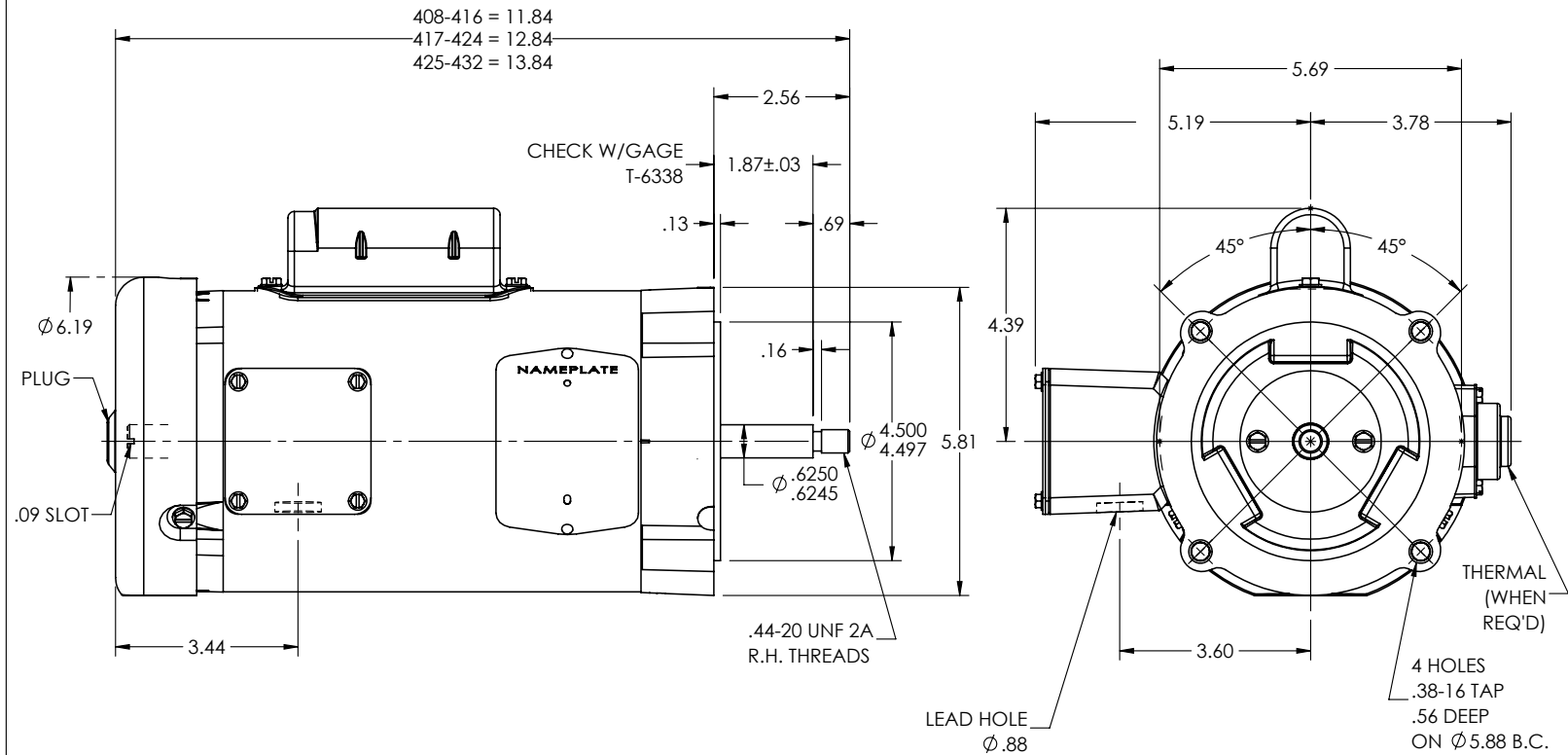
TORQUES (LB-FT): PO=2.5 PU=1.4 LR=2 LRA=19.5



8/15/2024 ACPERF, record # 6693



34LY3099



CUSTOMER IS RESPONSIBLE FOR DETERMINING THAT THE PRODUCT WILL PERFORM SUITABLY IN THE INTENDED APPLICATION

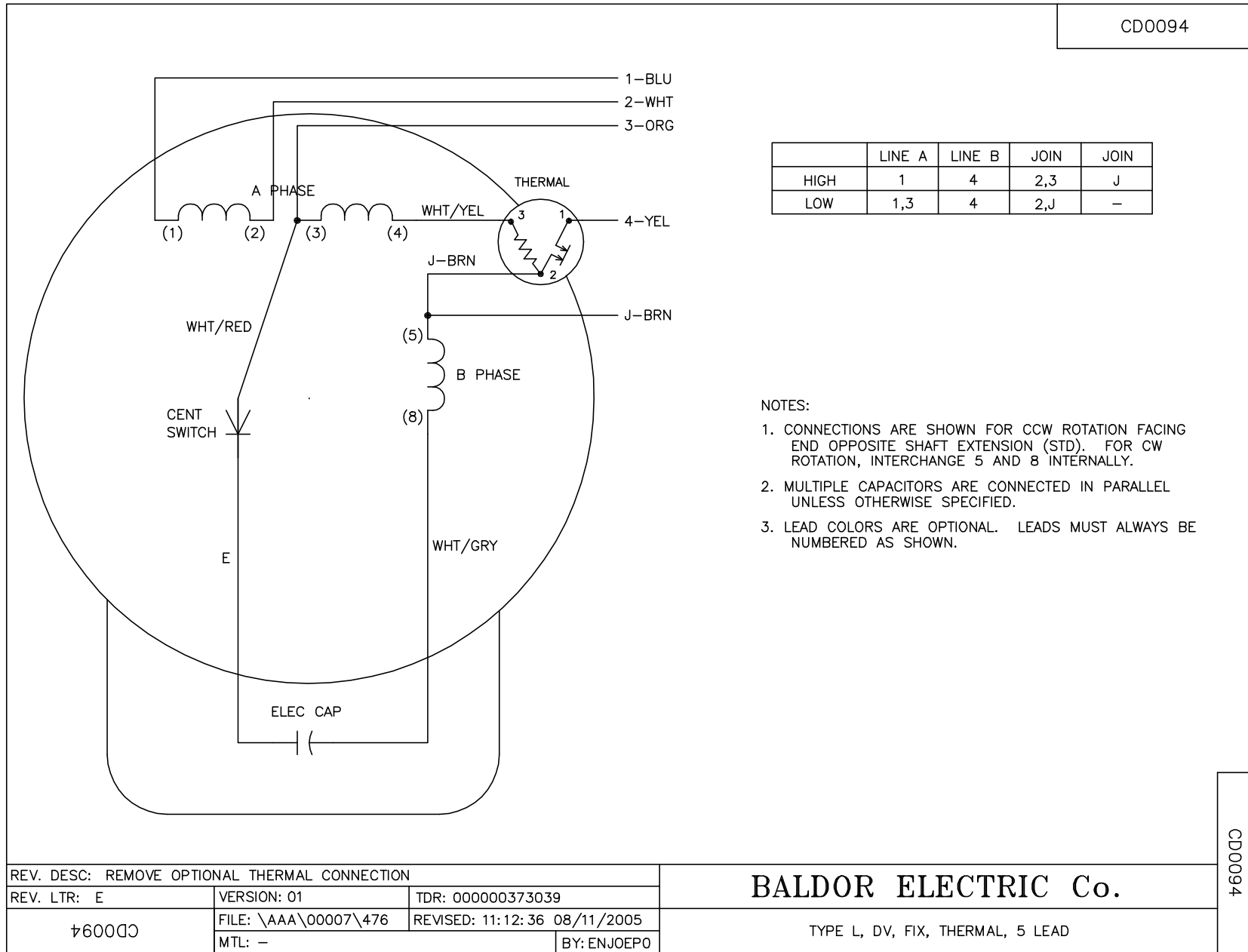
REV. DESC: LOAD TO SOLIDWORKS - REV 3			
REV: F	VERSION: 03	REVISED: 10:52:05 12/14/2022	TDR: 000001201165
6603173	MODEL NO. 34LY3099	REF: -	
	BY: ENFRAJ0		

**BALDOR - RELIANCE®**

STD VERT 34L NEMA 56J TEFC

34LY3099

CD0094



	LINE A	LINE B	JOIN	JOIN
HIGH	1	4	2,3	J
LOW	1,3	4	2,J	-

NOTES:

1. CONNECTIONS ARE SHOWN FOR CCW ROTATION FACING END OPPOSITE SHAFT EXTENSION (STD). FOR CW ROTATION, INTERCHANGE 5 AND 8 INTERNALLY.
2. MULTIPLE CAPACITORS ARE CONNECTED IN PARALLEL UNLESS OTHERWISE SPECIFIED.
3. LEAD COLORS ARE OPTIONAL. LEADS MUST ALWAYS BE NUMBERED AS SHOWN.

REV. DESC: REMOVE OPTIONAL THERMAL CONNECTION		
REV. LTR: E	VERSION: 01	TDR: 000000373039
CD0094	FILE: \AAA\00007\476	REVISED: 11:12:36 08/11/2005
	MTL: -	BY: ENJOEPO

BALDOR ELECTRIC Co.

TYPE L, DV, FIX, THERMAL, 5 LEAD

CD0094