



---

# Customer information packet

## JL1309A

1HP, 3450RPM, 1PH, 60HZ, 56J, 3428L, OPEN, F1, N

Class - None

Division - Not Applicable

## Specifications

Enclosure	OPEN
Frame	56J
Frame Material	Steel
Frequency	60.00 Hz
Haz Area Class and Group	None
Haz Area Division	Not Applicable
Motor Letter Type	Cap Start, Induction Run
Output @ Frequency	1.000 HP @ 60 HZ
Phase	1
Synchronous Speed @ Frequency	3600 RPM @ 60 HZ
Voltage @ Frequency	115.0 V @ 60 HZ 230.0 V @ 60 HZ
Agency Approvals	UR CSA
Ambient Temperature	40 °C
Auxillary Box	No Auxillary Box
Auxillary Box Lead Termination	None
Base Indicator	No Mounting
Bearing Grease Type	Polyrex EM (-20F +300F)
Blower	None
Current @ Voltage	14.000 A @ 115.0 V 7.000 A @ 230.0 V 8.800 A @ 208.0 V
Design Code	N
Drip Cover	Drip Cover
Duty Rating	CONT
Efficiency @ 100% Load	65.0 %
Electrically Isolated Bearing	Not Electrically Isolated
Feedback Device	NO FEEDBACK
Front Face Code	Drip Cover Mounting
Front Shaft Indicator	None
Heater Indicator	No Heater

## Part detail

Revision	P
Type	AC
Mech. spec.	34F156
Base	
Status	PRD/A
Elec. spec.	34WG3375
Layout	34LYF156
Eff. date	11-20-2024
CD Diagram	CD0449
Poles	02
Leads	4#16 A&J,1#14 #4TH
Proprietary	False
Created date	02-18-2010

High Voltage Full Load Amps	7.0 a
Insulation Class	B
Inverter Code	Not Inverter
KVA Code	L
Lifting Lugs	No Lifting Lugs
Locked Bearing Indicator	Locked Bearing
Motor Lead Exit	Terminal Panel Or Lead Hole
Motor Lead Quantity/Wire Size	4 @ 16 AWG, A&J
Motor Lead Termination	Flying Leads
Motor Standards	NEMA
Motor Type	3428L
Mounting Arrangement	F1
Number of Poles	2
Overall Length	13.89 IN
Power Factor	65
Product Family	General Purpose
Pulley End Bearing Type	Ball
Pulley Face Code	C-Face
Pulley Shaft Indicator	Ext Thread
Rodent Screen	None
RoHS Status	ROHS COMPLIANT
Service Factor	1.40
Shaft Diameter	0.625 IN
Shaft Extension Location	Pulley End
Shaft Ground Indicator	No Shaft Grounding
Shaft Rotation	Fixed Opposite Standard
Shaft Slinger Indicator	No Slinger
Speed	3450 rpm
Speed Code	Single Speed
Starting Method	Direct on line
Thermal Device - Bearing	None
Thermal Device - Winding	None
Vibration Sensor Indicator	No Vibration Sensor
Winding Thermal 1	Automatic Thermal Overload

**Winding Thermal 1 Location**

**SB**

**Winding Thermal 2**

**None**

**Nameplate**

<b>NP1257L</b>									
<b>CAT.NO.</b>	JL1309A								
<b>SPEC.</b>	34F156-3375G3								
<b>HP</b>	1								
<b>VOLTS</b>	115/230								
<b>AMP</b>	14/7								
<b>RPM</b>	3450								
<b>FRAME</b>	56J			<b>HZ</b>	60		<b>PH</b>	1	
<b>SER.F.</b>	1.40	<b>CODE</b>	L	<b>DES</b>	N	<b>CL</b>	B		
<b>NEMA-NOM-EFF</b>	65	<b>PF</b>	65						
<b>RATING</b>	40C AMB-CONT								
<b>CC</b>									
<b>DE</b>	6203	<b>ODE</b>	6203						
<b>ENCL</b>	OPEN	<b>SN</b>							
	SFA 16/8								

**AC Induction Motor Performance Data**

Record # 6683

Typical performance - not guaranteed values

Winding: 34WG3375-R001		Type: 3428L		Enclosure: OPEN	
<b>Nameplate Data</b>			<b>230 V, 60 Hz: High Voltage Connection</b>		
Rated Output (HP)		1	Full Load Torque		1.5 LB-FT
Volts		115/230	Start Configuration		direct on line
Full Load Amps		14/7	Breakdown Torque		5.3 LB-FT
R.P.M.		3450	Pull-up Torque		3.8 LB-FT
Hz	60 Phase	1	Locked-rotor Torque		4.4 LB-FT
NEMA Design Code	N KVA Code	L	Starting Current		46 A
Service Factor (S.F.)		1.4	No-load Current		5.6 A
NEMA Nom. Eff.	65 Power Factor	65	Line-line Res. @ 25°C		1.63 Ω A Ph 1.64 Ω B Ph
Rating - Duty		40C AMB-CONT	Temp. Rise @ Rated Load		37°C
S.F. Amps		16/8	Temp. Rise @ S.F. Load		47°C

**Load Characteristics 230 V, 60 Hz, 1 HP**

% of Rated Load	25	50	75	100	125	150	S.F.
Power Factor	31	45	58	68	75	83	79
Efficiency	47.1	60.7	66.5	69.1	70.2	69.4	70.9
Speed	3578	3563	3546	3529	3511	3491	3500
Line amperes	5.7	6	6.4	7	7.7	8.4	8.1

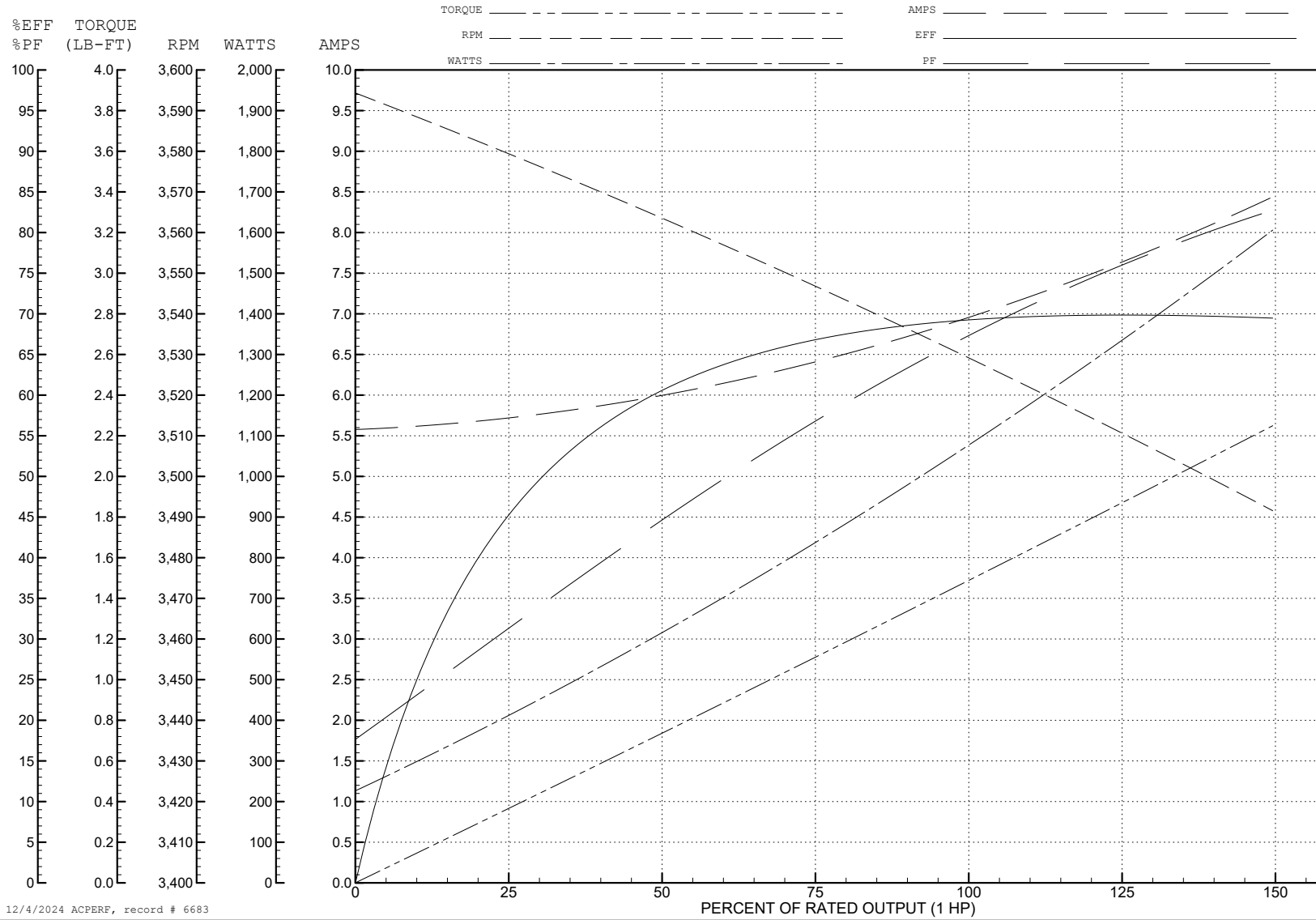
ABB Motors and Mechanical Inc.

WINDING # 34WG3375

Typical performance - not guaranteed values.

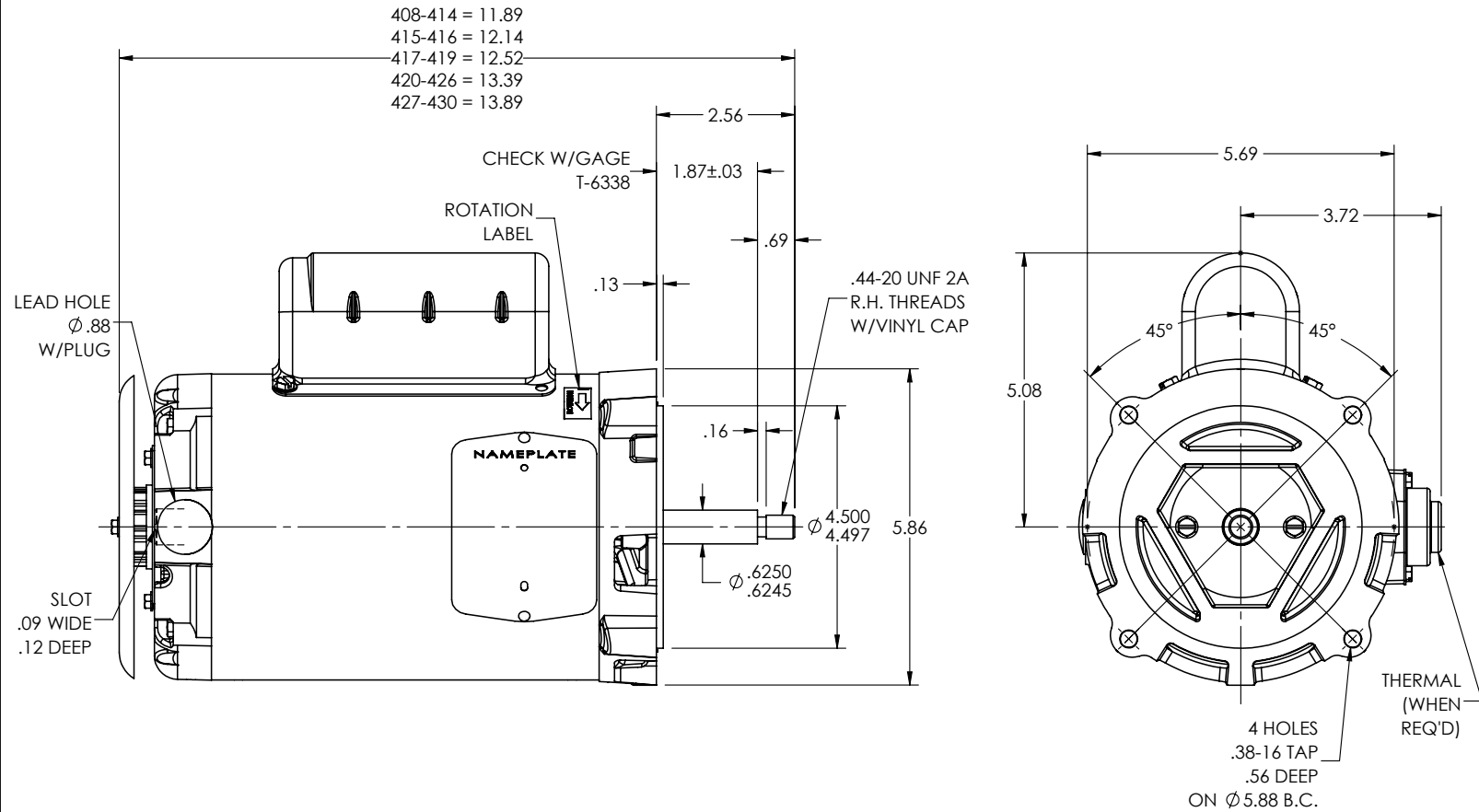
1 HP 1 PH 60 HZ 3450 RPM 230 V 3428L

TORQUES (LB-FT): PO=5.3 PU=3.8 LR=4.4 LRA=46



12/4/2024 ACPERF, record # 6683

34LYF156



CUSTOMER IS RESPONSIBLE FOR DETERMINING THAT THE PRODUCT WILL PERFORM SUITABLY IN THE INTENDED APPLICATION

REV. DESC: LOAD TO SOLIDWORKS - REV D			
REV: E	VERSION: 02	REVISED: 01:59:54 01/04/2023	TDR: 000001201165
34LYF156	MODEL NO. 34LYF156	REF: -	
	BY: ENFRAJ0		

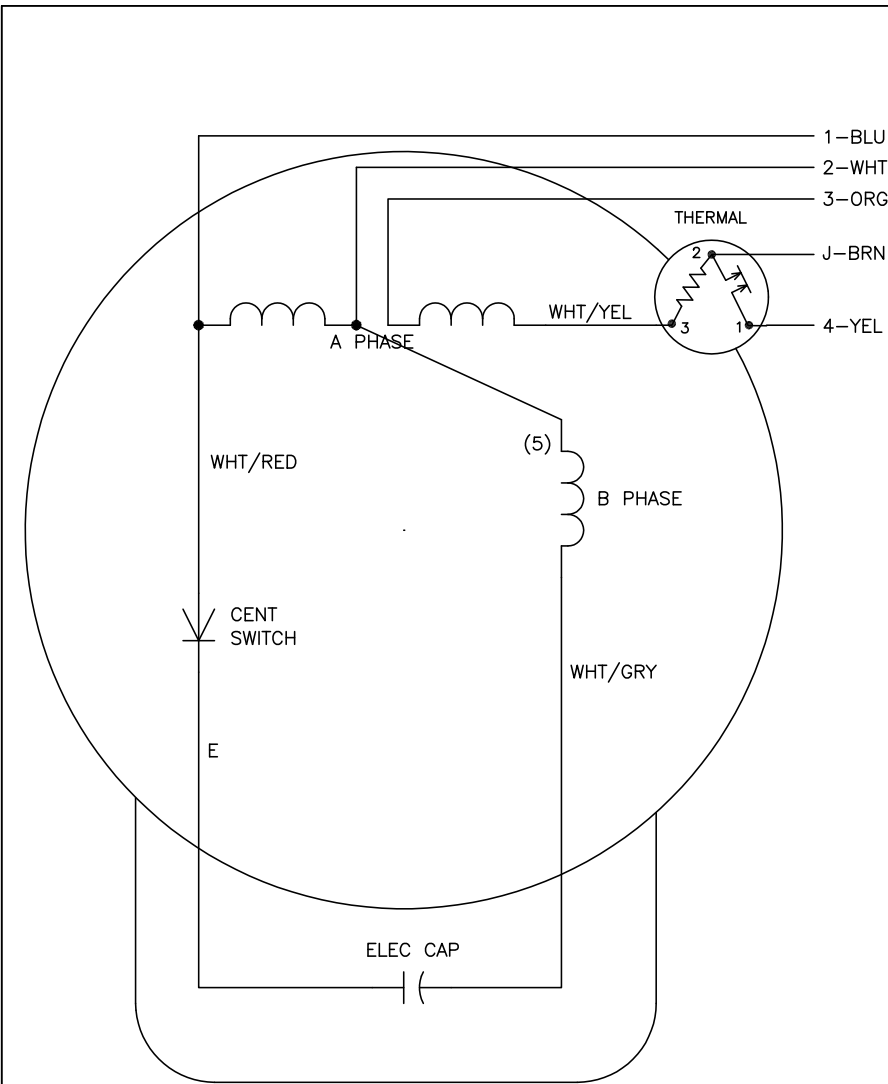
**BALDOR - RELIANCE®**

STD VERT 34L NEMA 56J OPEN W/DRIPCVR,3 PH ER, LG CAPAC

34LYF156



CD0449



	LINE A	LINE B	JOIN	JOIN
HIGH	1	4	2,3	J
LOW	1,3	4	-	2,J

NOTES:

1. CONNECTIONS ARE SHOWN FOR CCW ROTATION FACING END OPPOSITE SHAFT EXTENSION (STD). FOR CW ROTATION, INTERCHANGE 5 AND 8 INTERNALLY.
2. MULTIPLE CAPACITORS ARE CONNECTED IN PARALLEL UNLESS OTHERWISE SPECIFIED.
3. LEAD COLORS ARE OPTIONAL. LEADS MUST ALWAYS BE NUMBERED AS SHOWN.

REV. DESC: -			
REV. LTR: D	BY: JLP	REVISED: -	TDR: 0178636
677000		FILE: -	MDL: -
		MTL: -	

**BALDOR ELECTRIC Co.**

TYPE L, DV, FIX, THERM, B PH AMPS THRU HTR HVC, 5 LEAD

CD0449